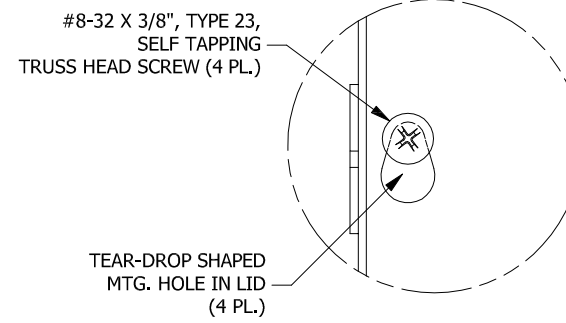
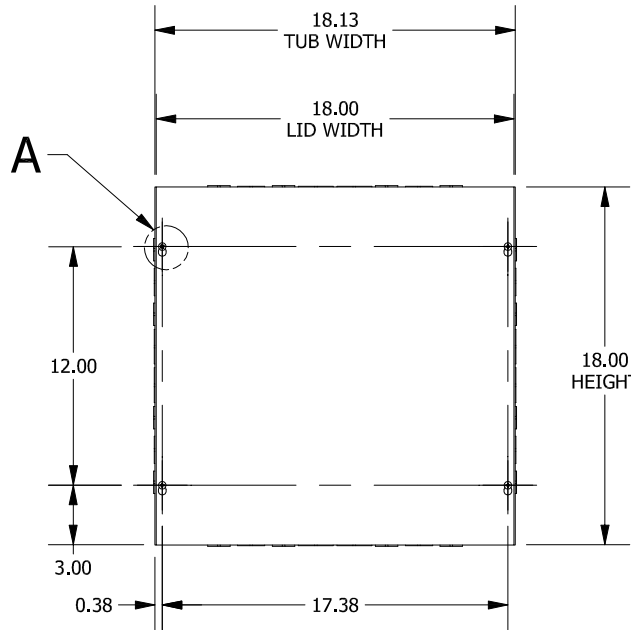
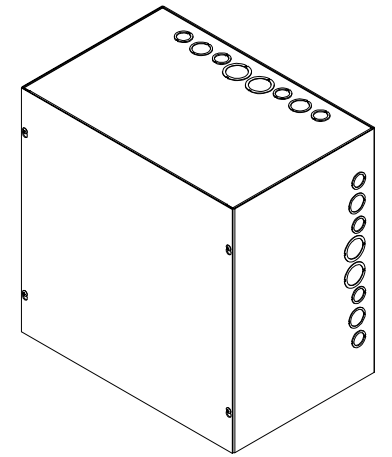


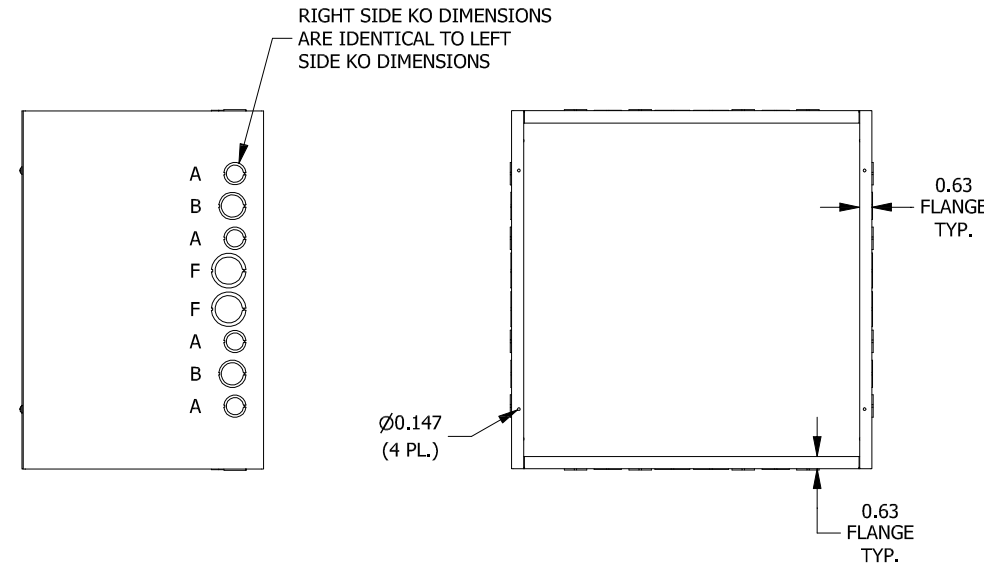
TOP VIEW



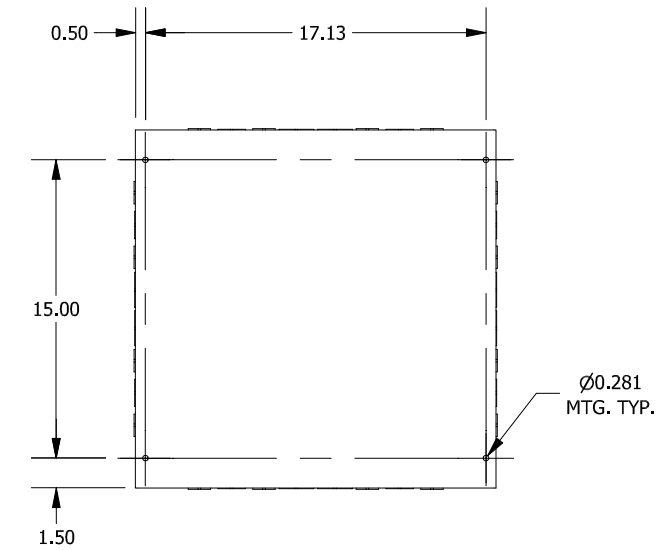
DETAIL A



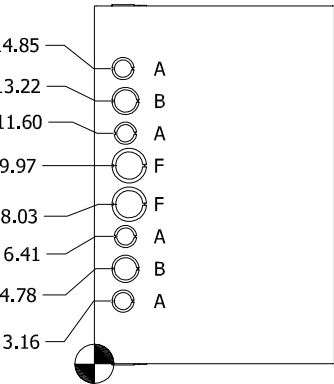
FRONT VIEW



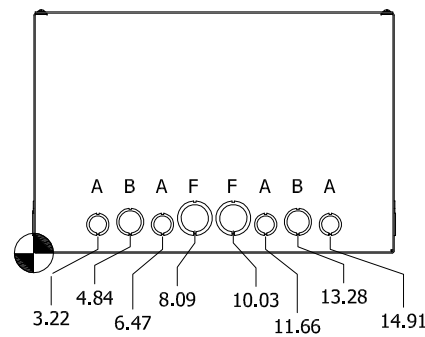
FRONT VIEW LID REMOVED



BACK VIEW



LEFT SIDE VIEW



BOTTOM VIEW

RIGHT SIDE VIEW

| KNOCKOUT TABLE | |
|----------------|--------------|
| SIZE | DESCRIPTION |
| A | 1/2" TO 3/4" |
| B | 3/4 TO 1" |
| F | 1" TO 1-1/4" |

PART#: SC181812
 (DATA SUBJECT TO CHANGE WITHOUT NOTICE)

THIS DRAWING IS PROPERTY OF HUBBELL INC. WIEGMANN
 ALL INFORMATION IS PROPRIETARY AND NOT TO BE DUPLICATED