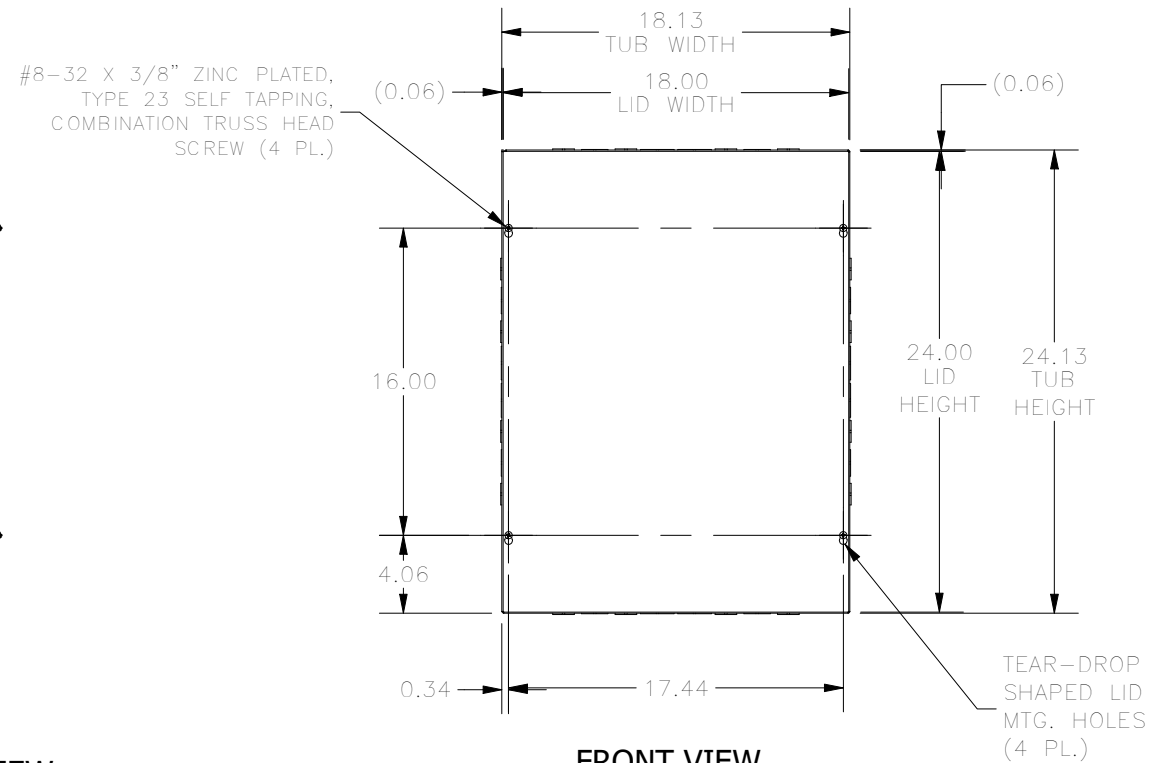
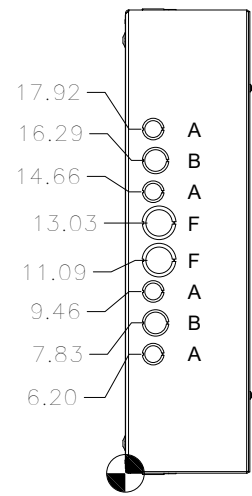


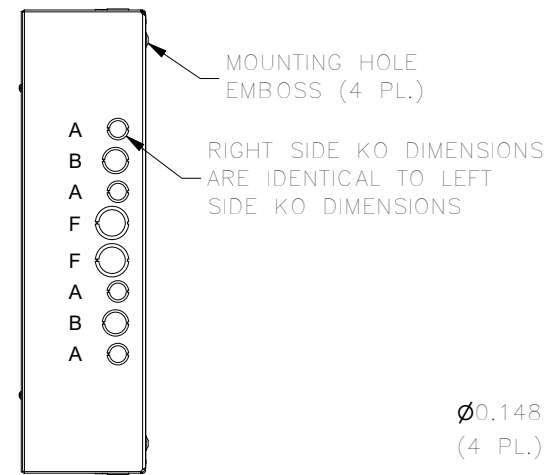
**TOP VIEW**



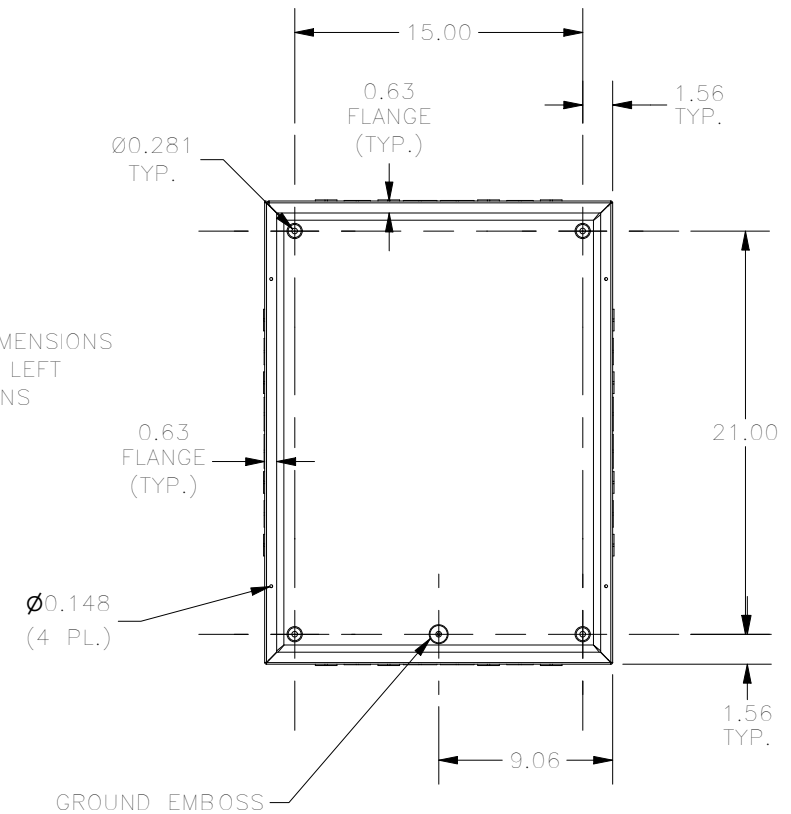
**FRONT VIEW**



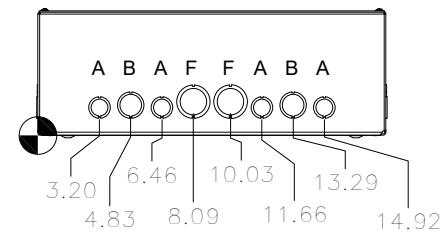
**LEFT SIDE VIEW**



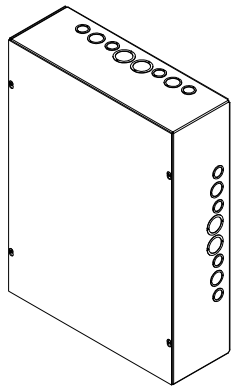
**RIGHT SIDE VIEW**



**FRONT VIEW LID REMOVED**



**BOTTOM VIEW**



KNOCKOUT TABLE	
SIZE	DESCRIPTION
A	1/2" TO 3/4"
B	3/4 TO 1"
F	1" TO 1-1/4"

**PART #:SC182406G**  
 (DATA SUBJECT TO CHANGE WITHOUT NOTICE)  
 THIS DRAWING IS THE PROPERTY OF HUBBELL INC. WIEGMANN  
 ALL INFORMATION IS PROPRIETARY AND NOT TO BE DUPLICATED