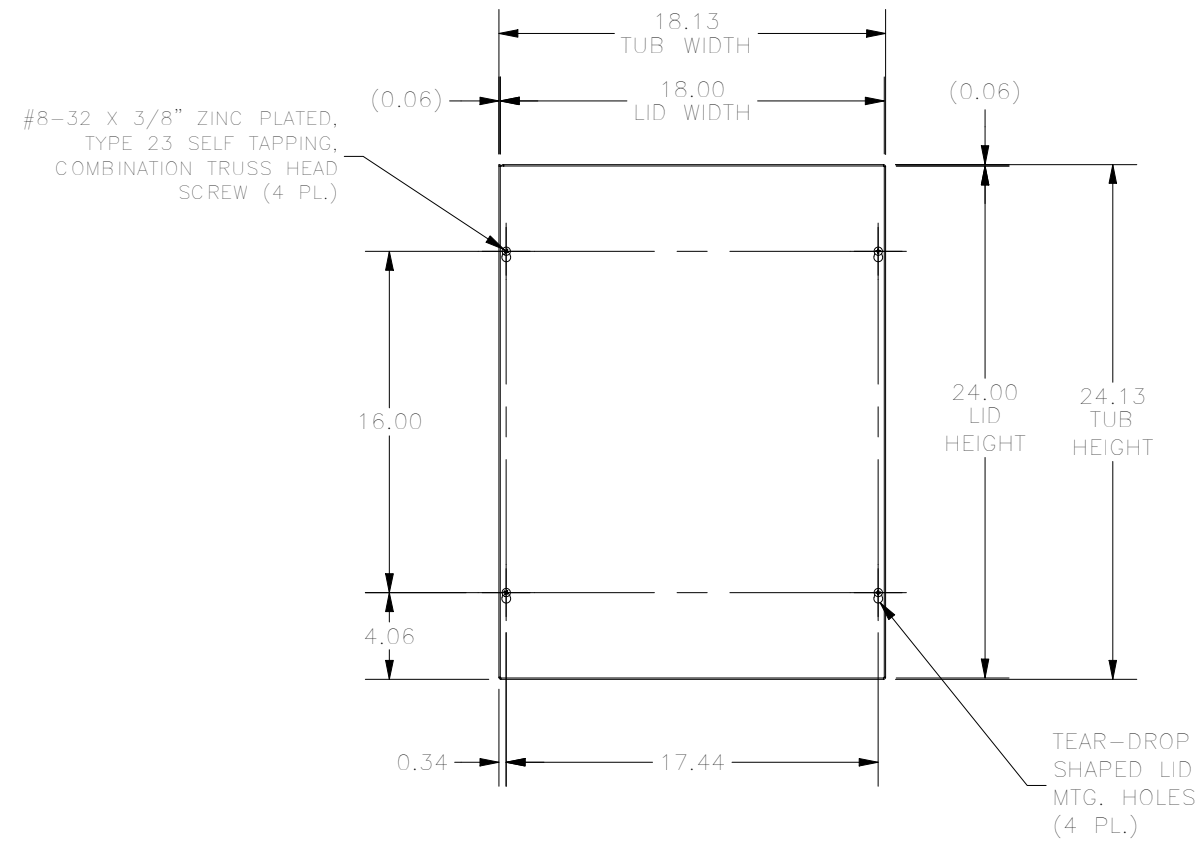
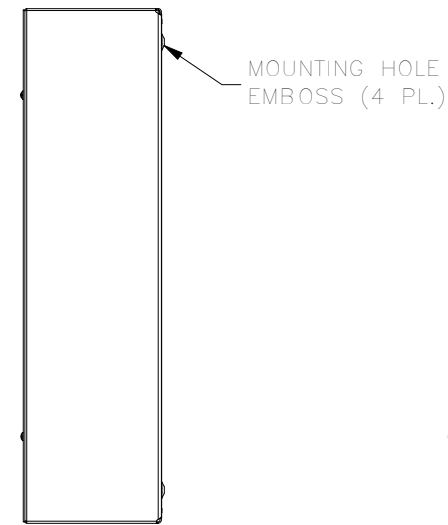


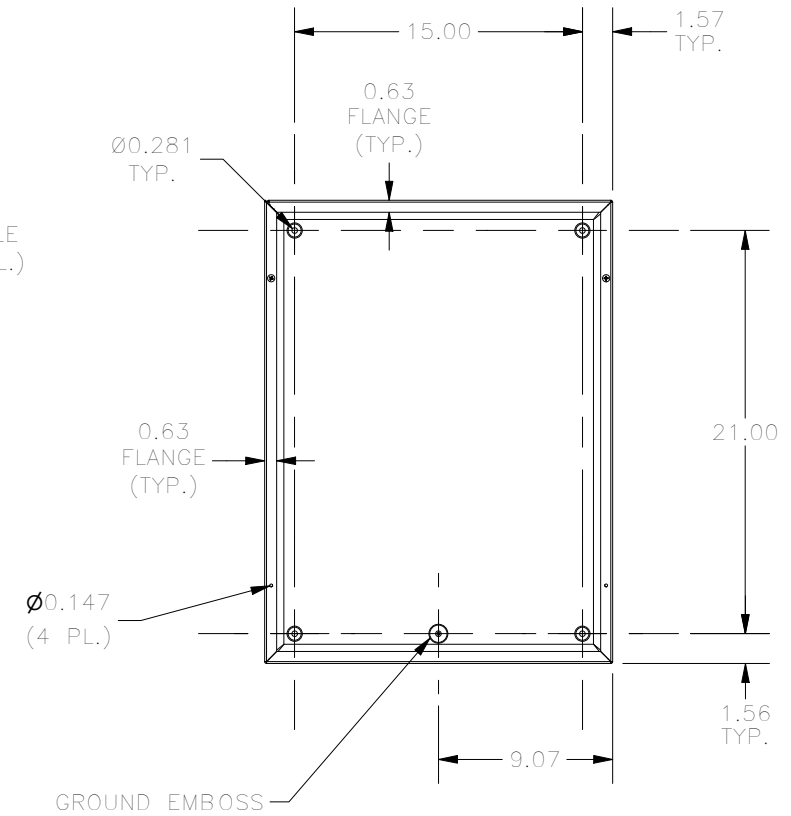
**TOP VIEW**



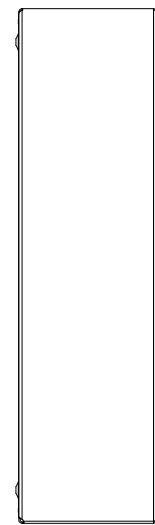
**FRONT VIEW**



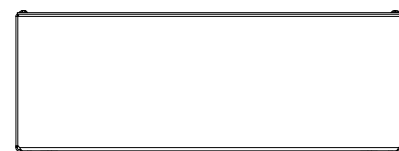
**RIGHT SIDE VIEW**



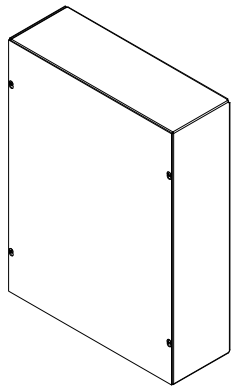
**FRONT VIEW LID REMOVED**



**LEFT SIDE VIEW**



**BOTTOM VIEW**



PART #:SC182406GNK  
 (DATA SUBJECT TO CHANGE WITHOUT NOTICE)  
 THIS DRAWING IS THE PROPERTY OF HUBBELL INC. WIEGMANN  
 ALL INFORMATION IS PROPRIETARY AND NOT TO BE DUPLICATED