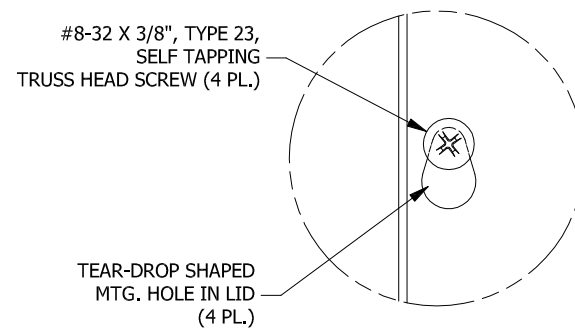
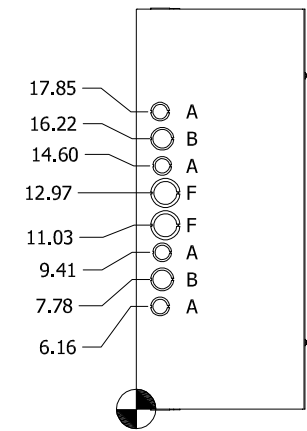
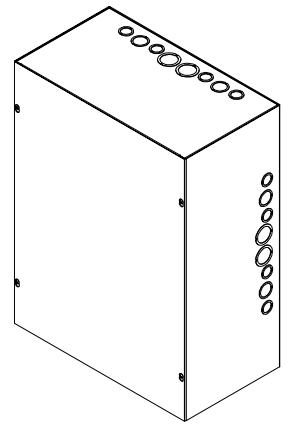


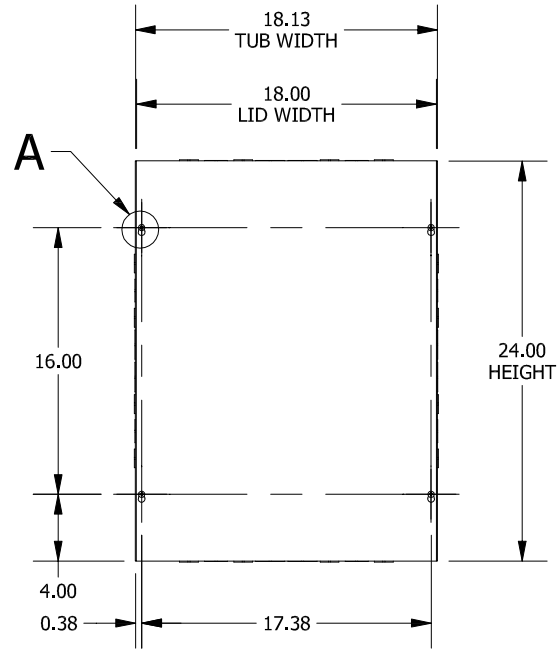
**TOP VIEW**



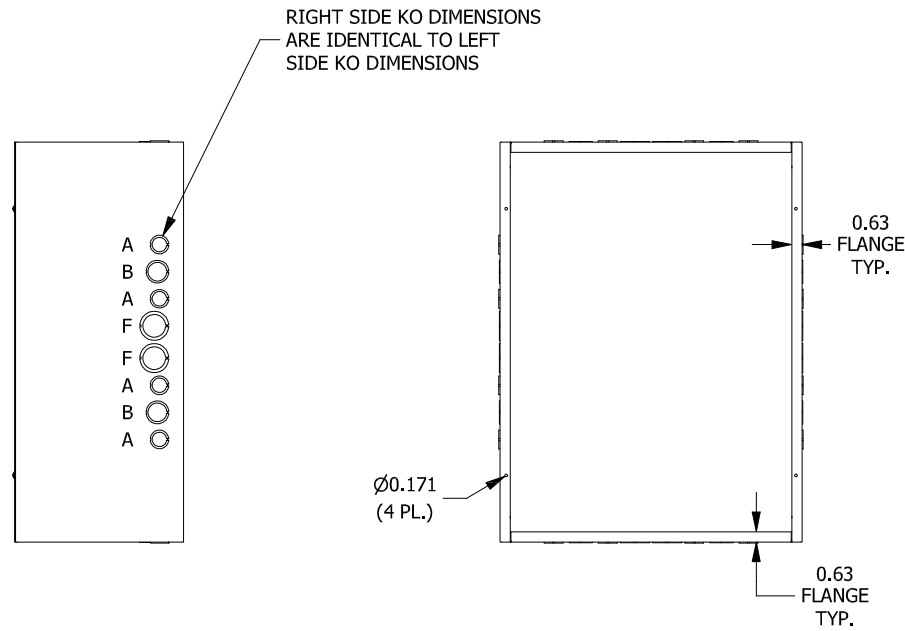
**DETAIL A**



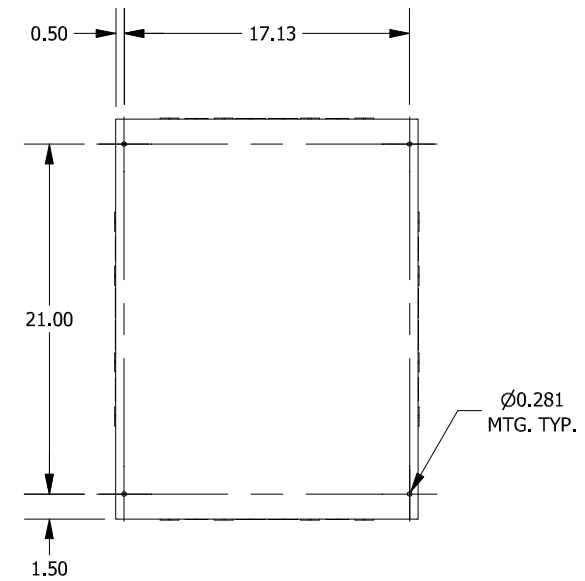
**LEFT SIDE VIEW**



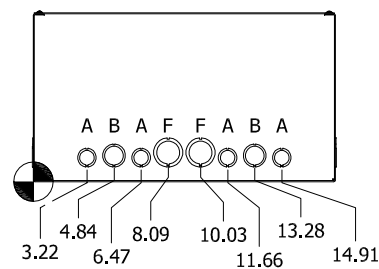
**FRONT VIEW**



**FRONT VIEW LID REMOVED**



**BACK VIEW**



**BOTTOM VIEW**

KNOCKOUT TABLE	
SIZE	DESCRIPTION
A	1/2" TO 3/4"
B	3/4 TO 1"
F	1" TO 1-1/4"

PART#: SC182410  
 (DATA SUBJECT TO CHANGE WITHOUT NOTICE)

THIS DRAWING IS PROPERTY OF HUBBELL INC. WIEGMANN  
 ALL INFORMATION IS PROPRIETARY AND NOT TO BE DUPLICATED