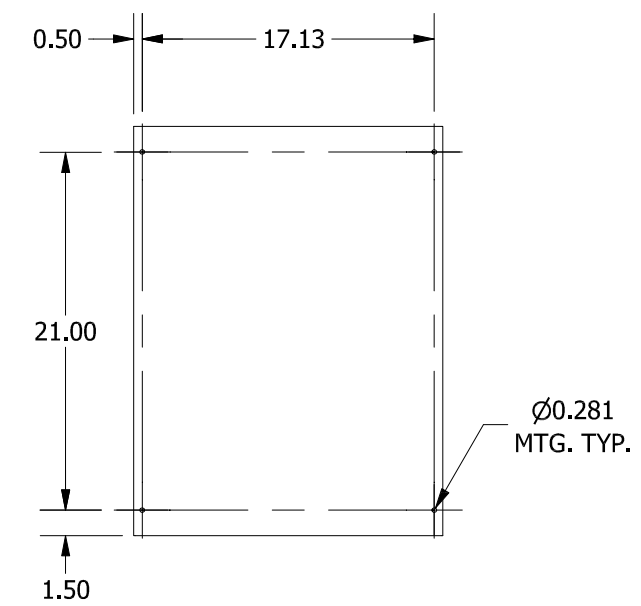
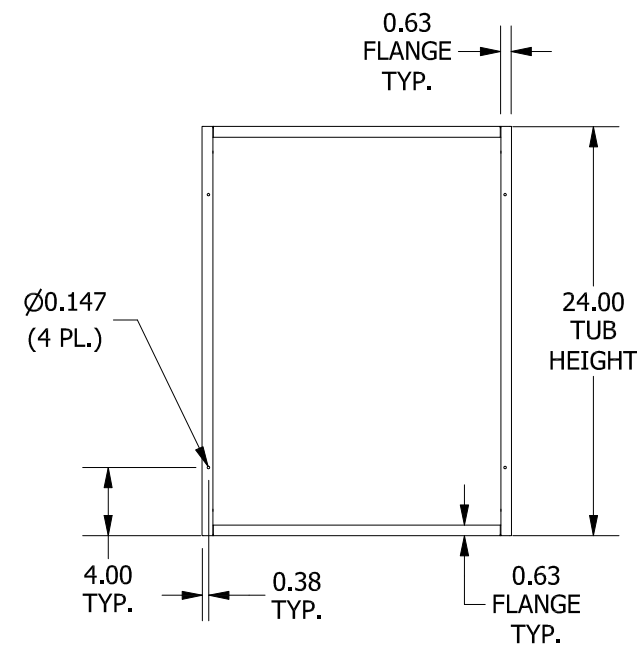
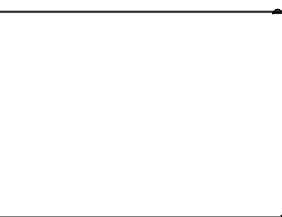


RIGHT SIDE VIEW



LEFT SIDE VIEW



BOTTOM VIEW

PART#: SC182412NK  
(DATA SUBJECT TO CHANGE WITHOUT NOTICE)

THIS DRAWING IS PROPERTY OF HUBBELL INC. WIEGMANN  
ALL INFORMATION IS PROPRIETARY AND NOT TO BE DUPLICATED