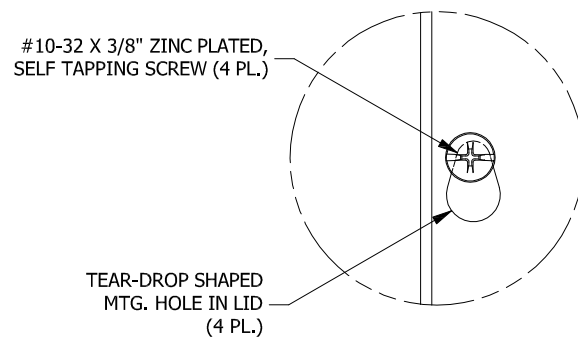
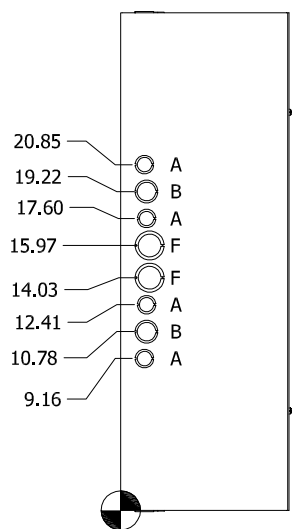
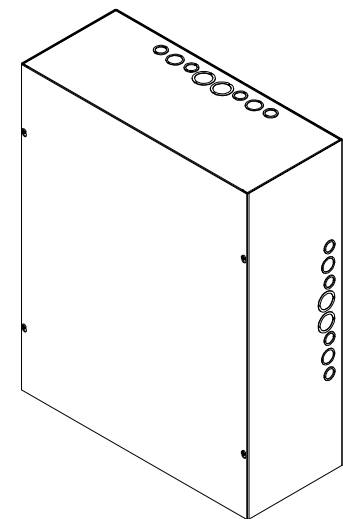


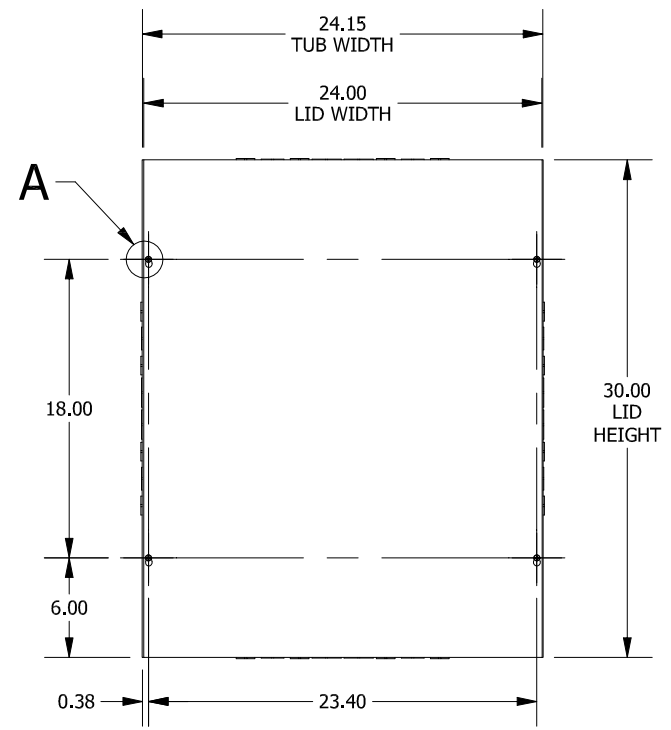
TOP VIEW



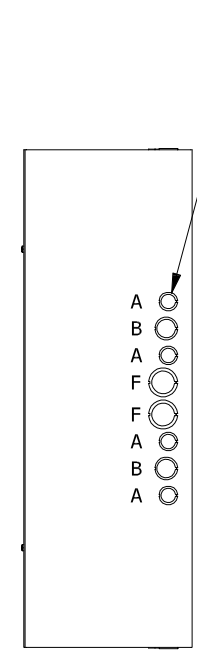
DETAIL A



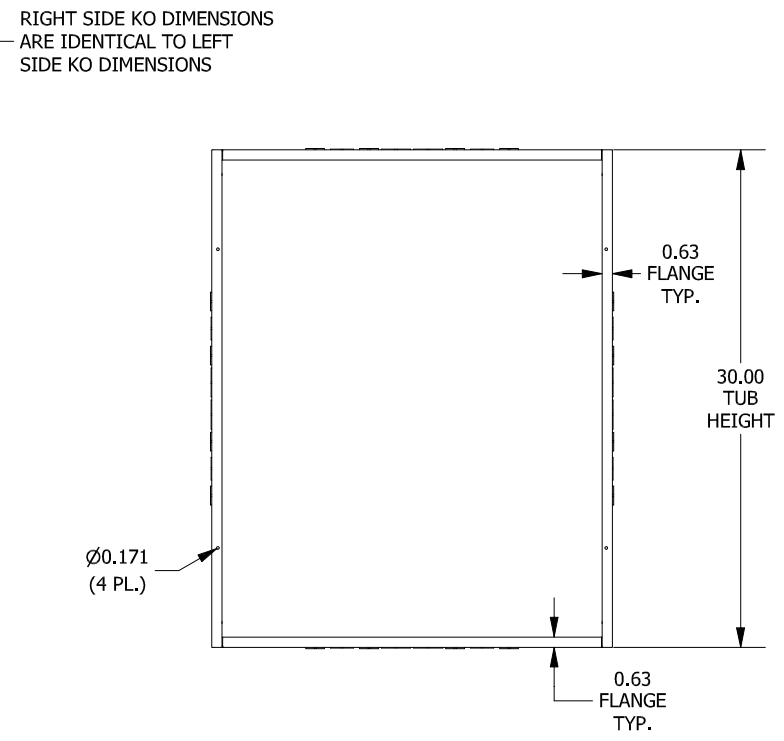
LEFT SIDE VIEW



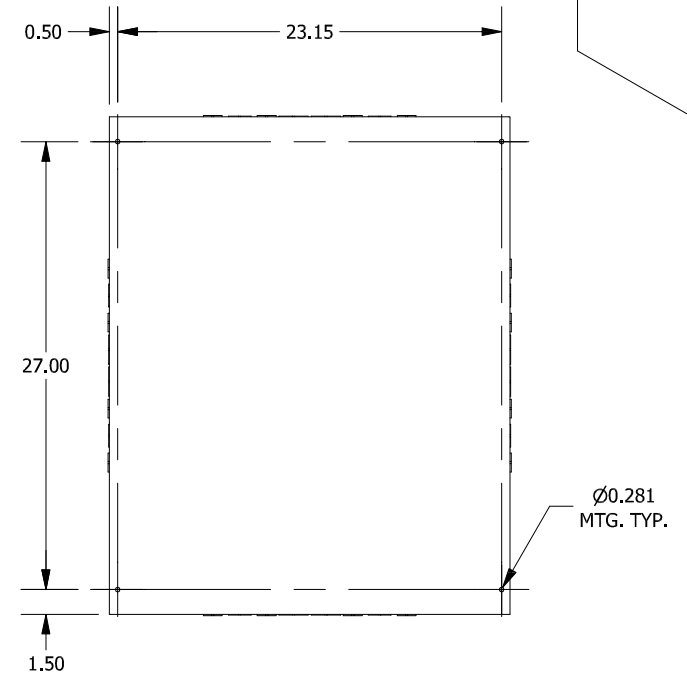
FRONT VIEW



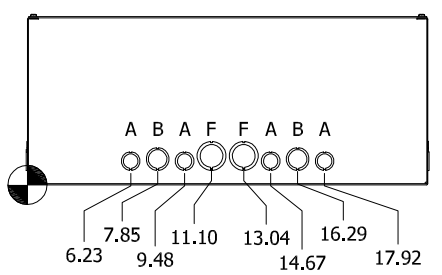
RIGHT SIDE VIEW



FRONT VIEW LID REMOVED



BACK VIEW



BOTTOM VIEW

KNOCKOUT TABLE	
SIZE	DESCRIPTION
A	1/2" TO 3/4"
B	3/4 TO 1"
F	1" TO 1-1/4"

PART#: SC 243010G
 (DATA SUBJECT TO CHANGE WITHOUT NOTICE)

THIS DRAWING IS PROPERTY OF HUBBELL INC. WIEGMANN
 ALL INFORMATION IS PROPRIETARY AND NOT TO BE DUPLICATED