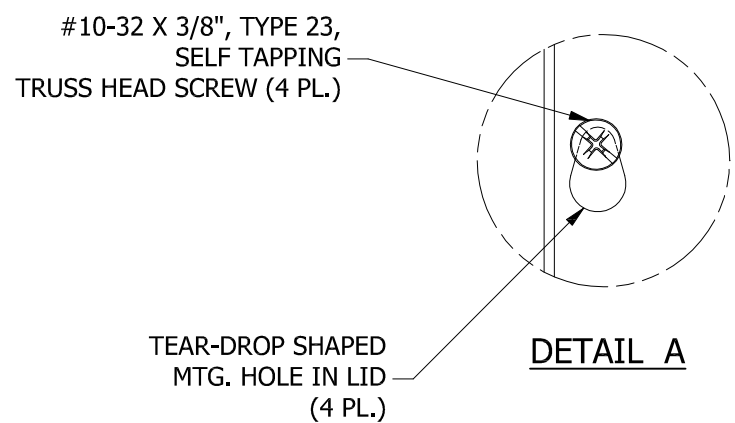
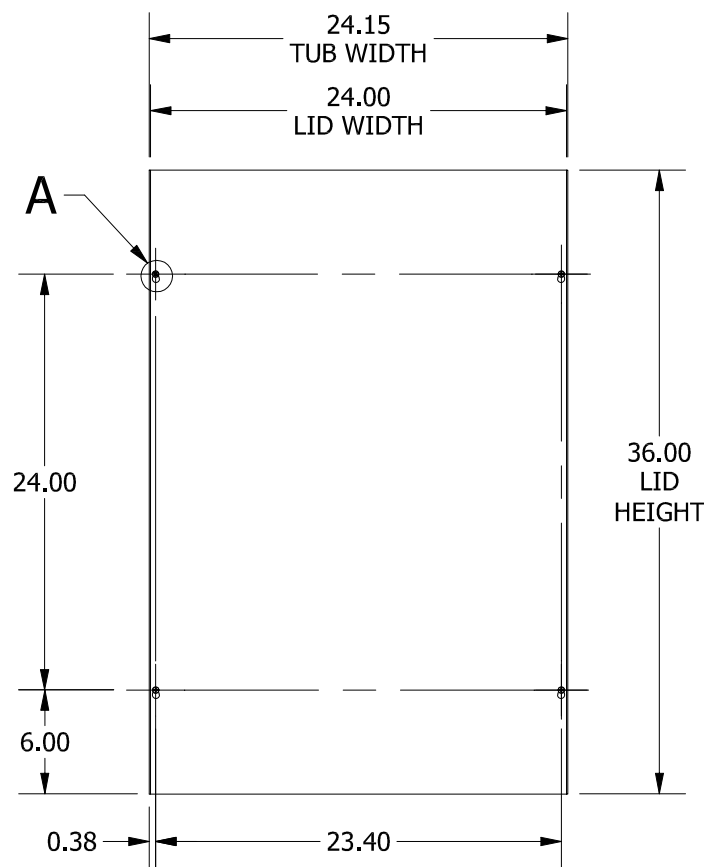


TOP VIEW



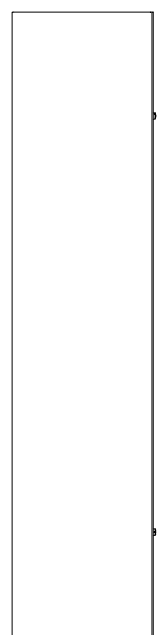
DETAIL A



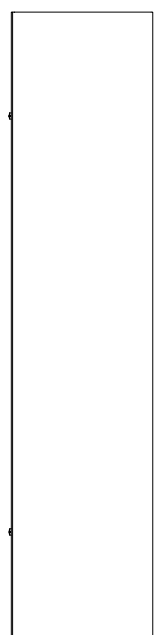
FRONT VIEW



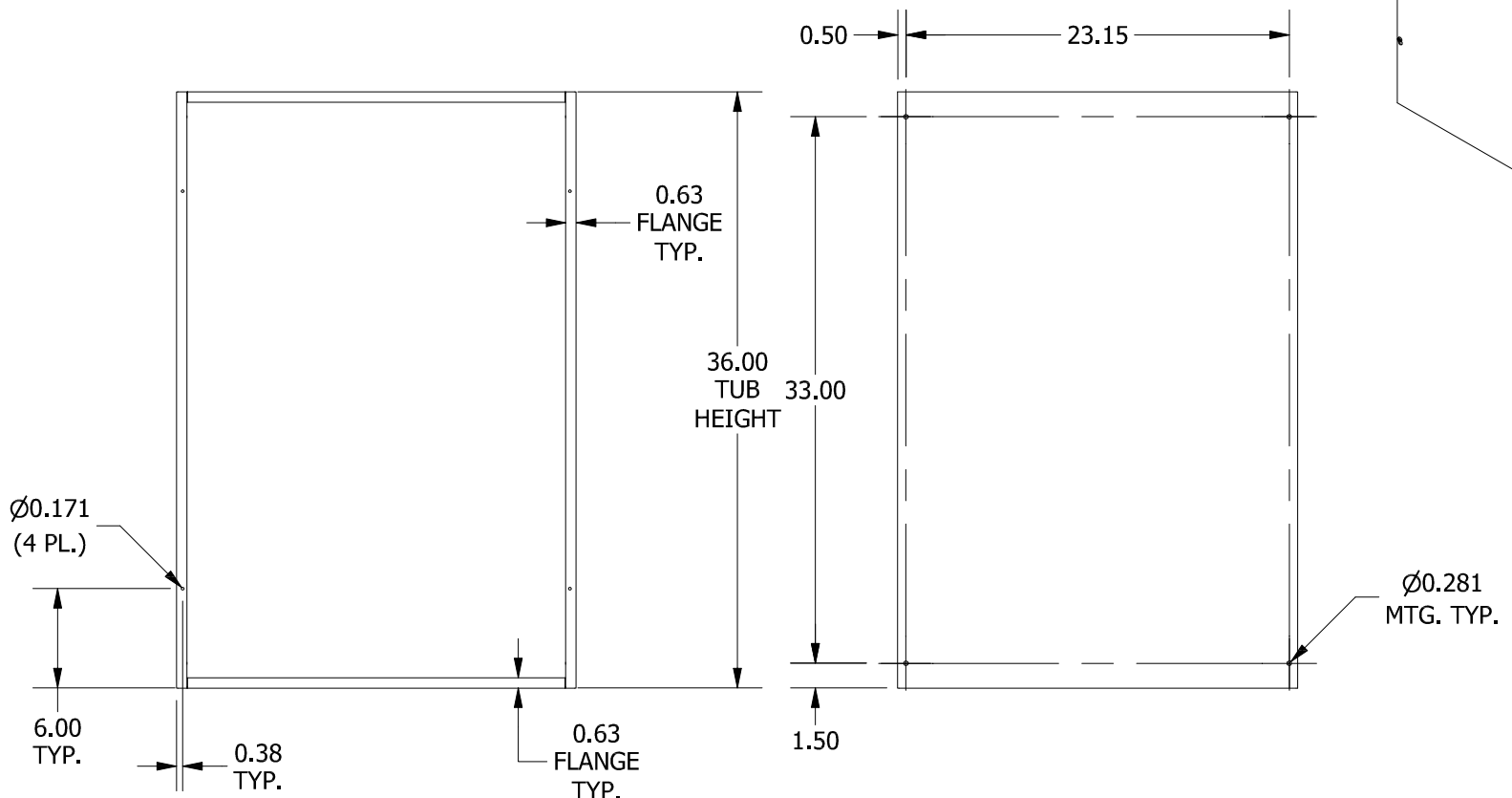
BOTTOM VIEW



LEFT SIDE VIEW

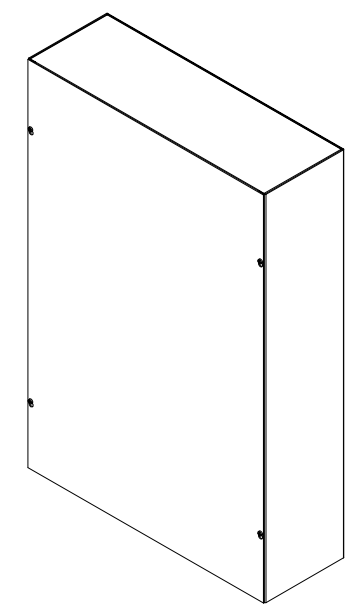


RIGHT SIDE VIEW



FRONT VIEW LID REMOVED

BACK VIEW



PART#: SC243608GNK  
(DATA SUBJECT TO CHANGE WITHOUT NOTICE)

THIS DRAWING IS PROPERTY OF HUBBELL INC. WIEGMANN  
ALL INFORMATION IS PROPRIETARY AND NOT TO BE DUPLICATED