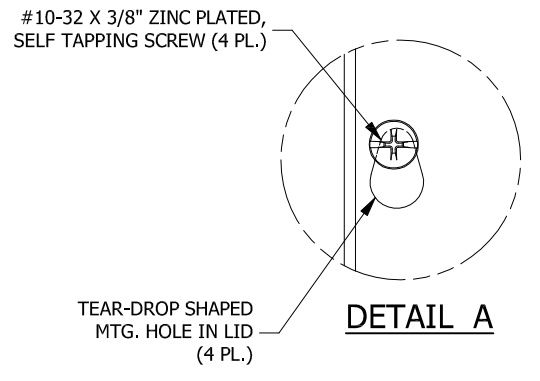
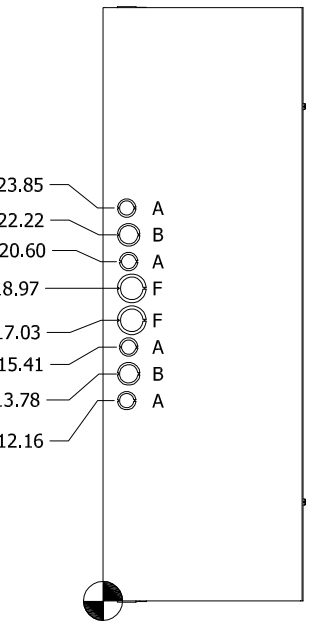


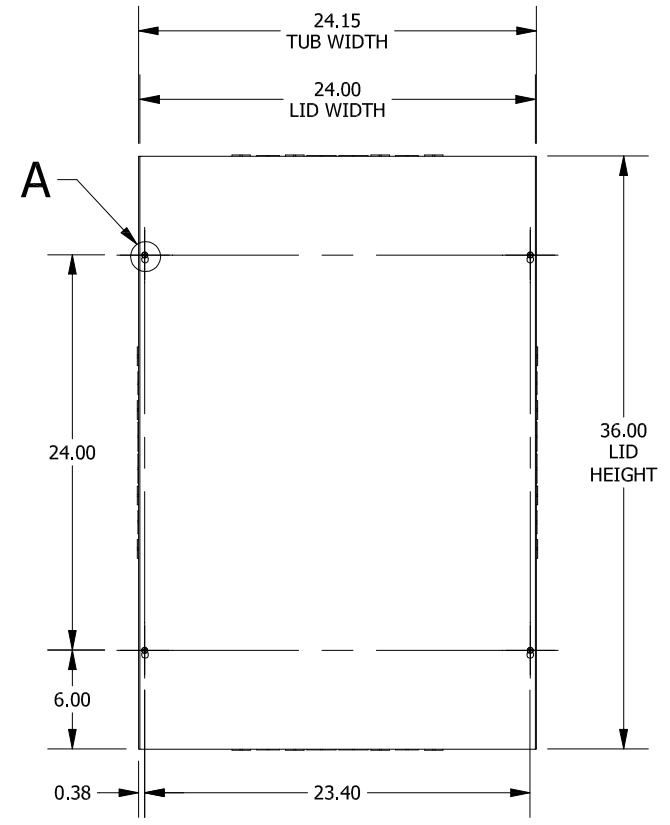
**TOP VIEW**



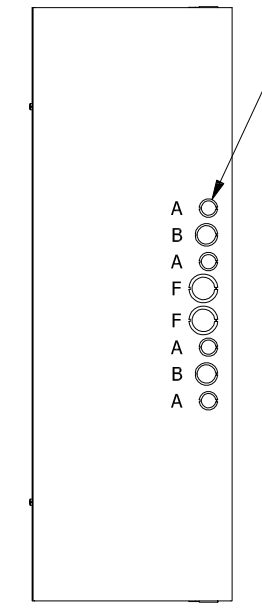
**DETAIL A**



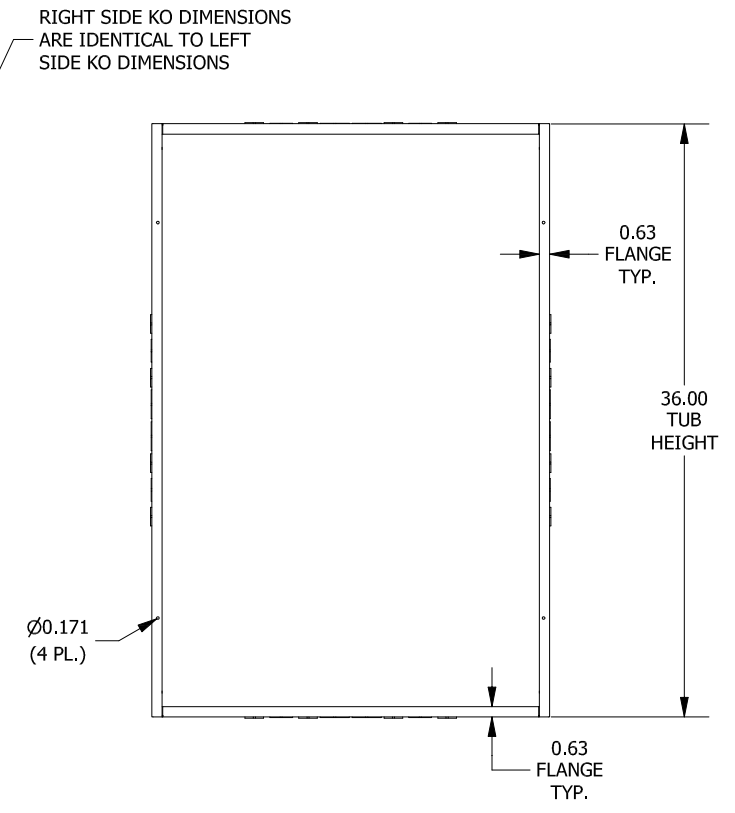
**LEFT SIDE VIEW**



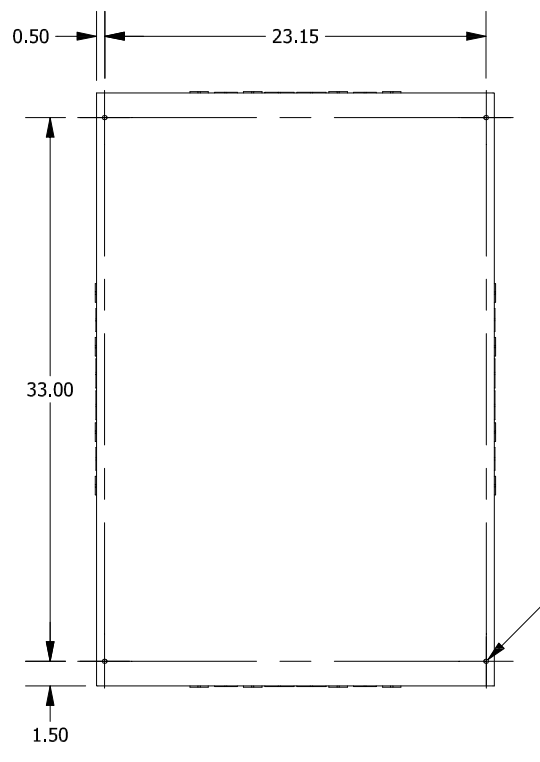
**FRONT VIEW**



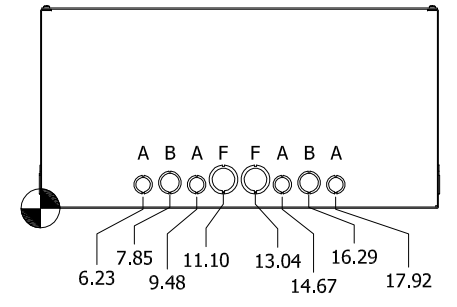
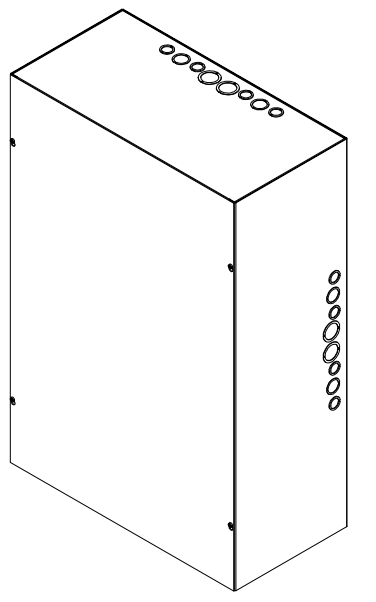
**RIGHT SIDE VIEW**



**FRONT VIEW LID REMOVED**



**BACK VIEW**



**BOTTOM VIEW**

| KNOCKOUT TABLE |              |
|----------------|--------------|
| SIZE           | DESCRIPTION  |
| A              | 1/2" TO 3/4" |
| B              | 3/4 TO 1"    |
| F              | 1" TO 1-1/4" |

PART#: SC243612G  
 (DATA SUBJECT TO CHANGE WITHOUT NOTICE)

THIS DRAWING IS PROPERTY OF HUBBELL INC. WIEGMANN  
 ALL INFORMATION IS PROPRIETARY AND NOT TO BE DUPLICATED