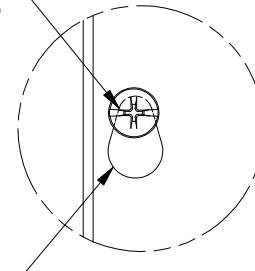


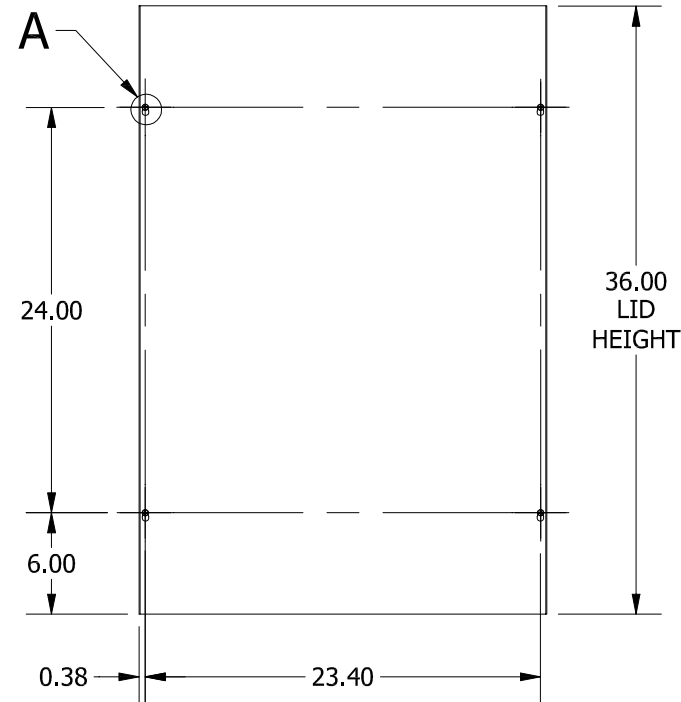
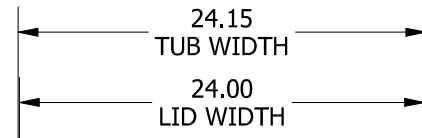
TOP VIEW

#10-32 X 3/8" ZINC PLATED,
SELF TAPPING SCREW (4 PL.)

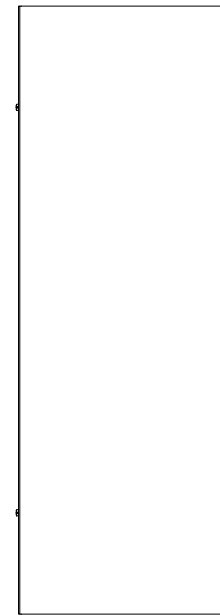


DETAIL A

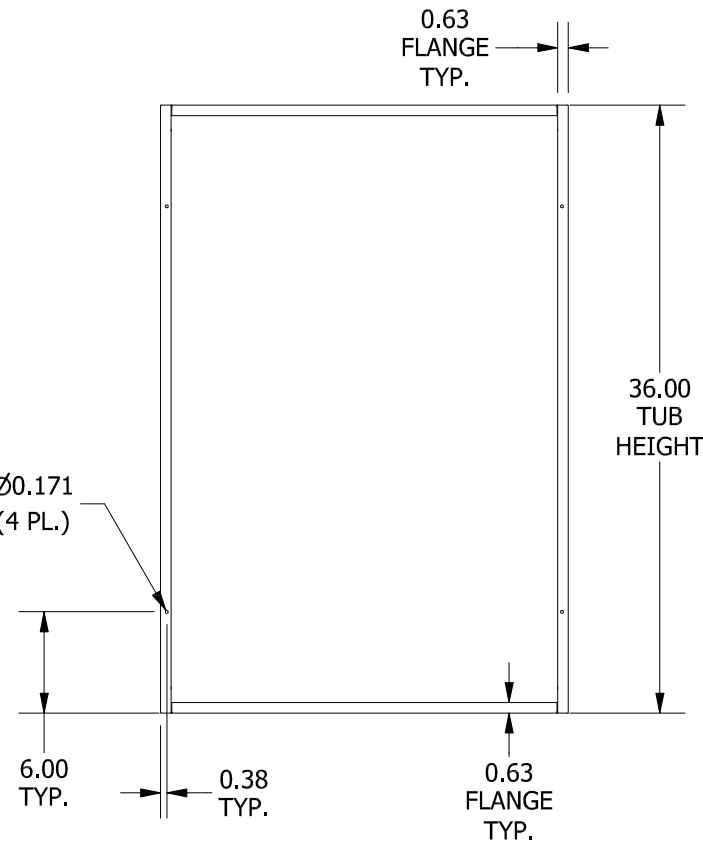
TEAR-DROP SHAPED
MTG. HOLE IN LID
(4 PL.)



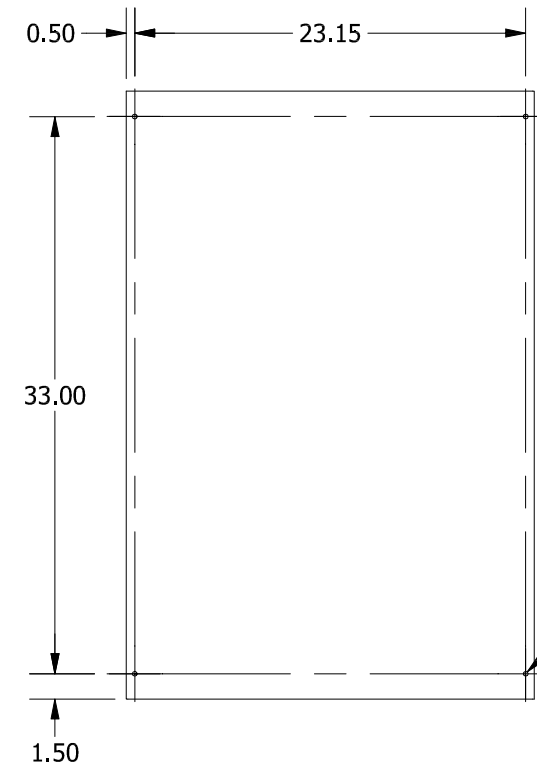
FRONT VIEW



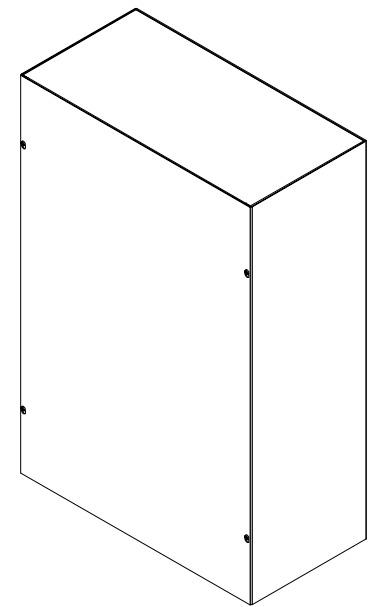
RIGHT SIDE VIEW



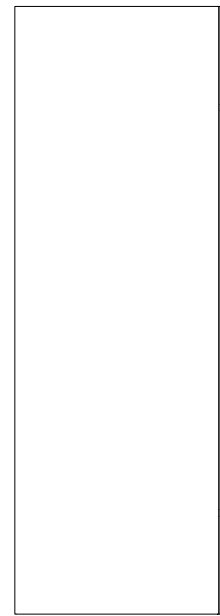
FRONT VIEW LID REMOVED



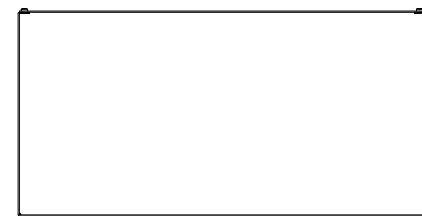
BACK VIEW



Ø0.281
MTG.
TYP.



LEFT SIDE VIEW



BOTTOM VIEW

PART#: SC243612NK
(DATA SUBJECT TO CHANGE WITHOUT NOTICE)

THIS DRAWING IS PROPERTY OF HUBBELL INC. WIEGMANN
ALL INFORMATION IS PROPRIETARY AND NOT TO BE DUPLICATED