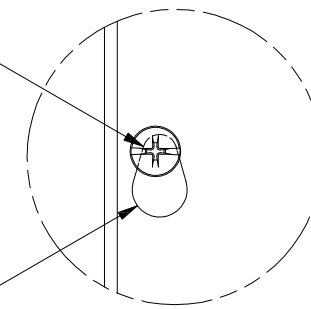


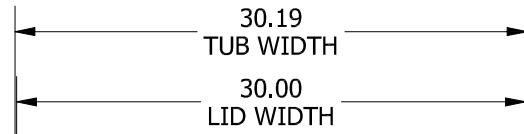
TOP VIEW

#10-32 X 3/8" ZINC PLATED,  
SELF TAPPING SCREW (6 PL.)

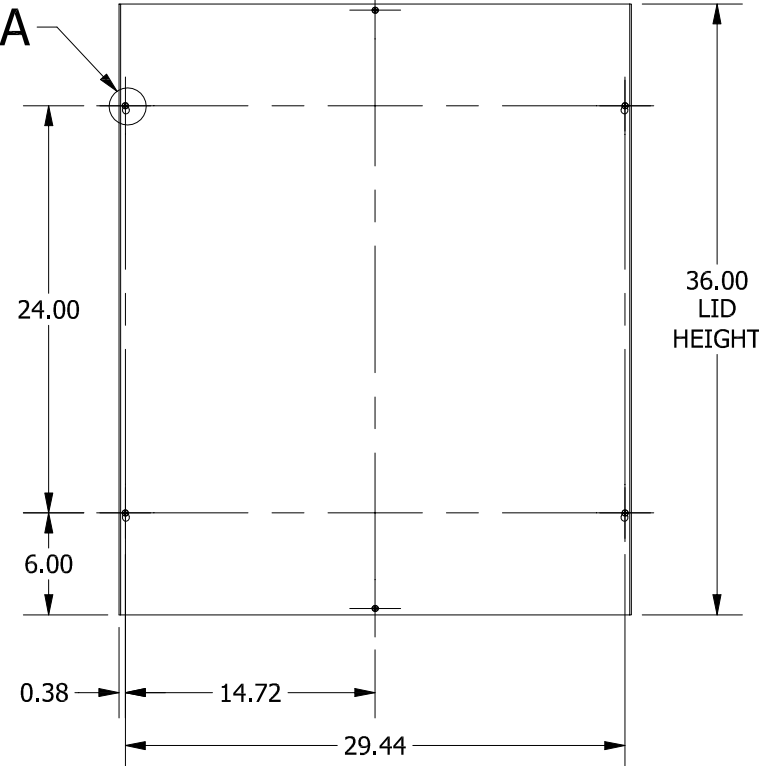


TEAR-DROP SHAPED  
MTG. HOLE IN LID  
(4 PL.)

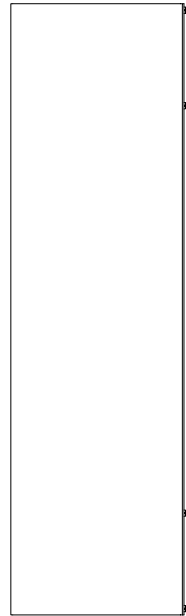
DETAIL A



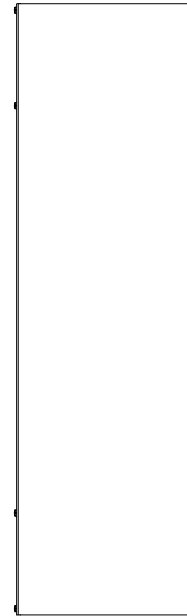
A



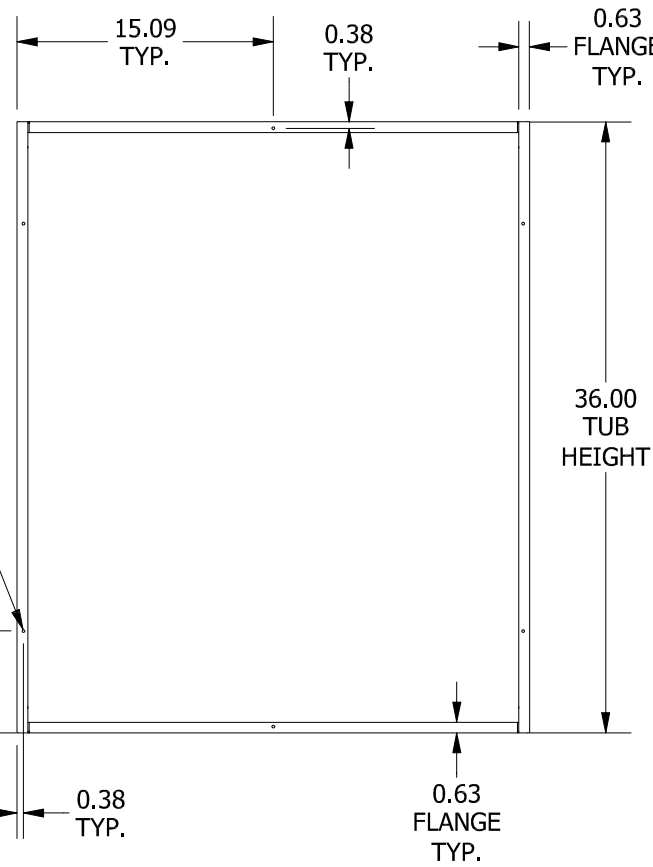
FRONT VIEW



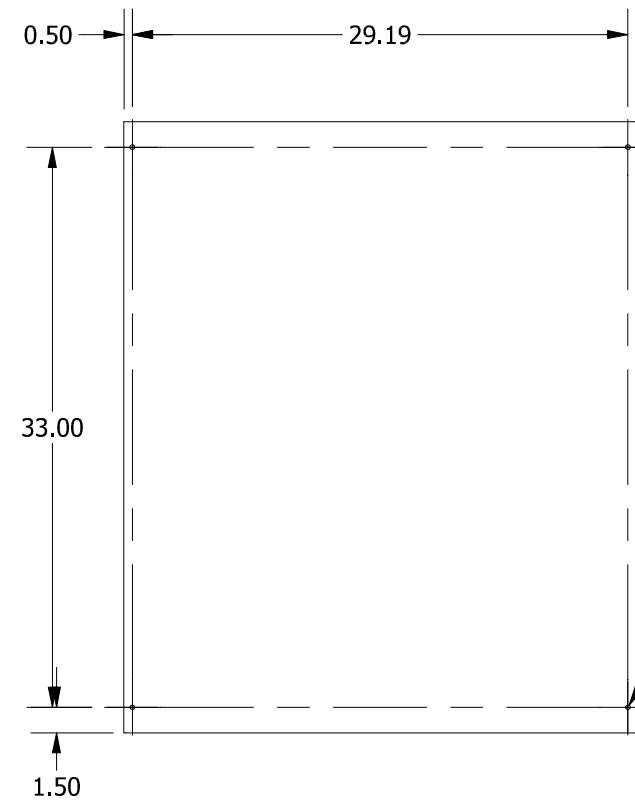
LEFT SIDE VIEW



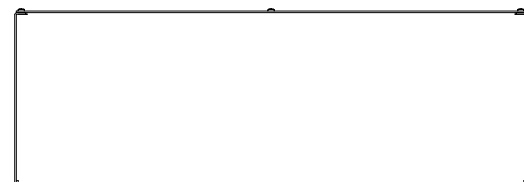
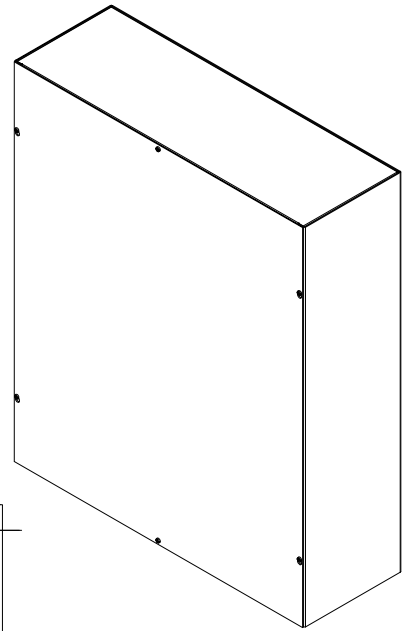
RIGHT SIDE VIEW



FRONT VIEW LID REMOVED



BACK VIEW



BOTTOM VIEW

Ø0.171  
(6 PL.)

Ø0.281  
MTG. TYP.

PART#: SC 303610NK  
(DATA SUBJECT TO CHANGE WITHOUT NOTICE)

THIS DRAWING IS PROPERTY OF HUBBELL INC. WIEGMANN  
ALL INFORMATION IS PROPRIETARY AND NOT TO BE DUPLICATED