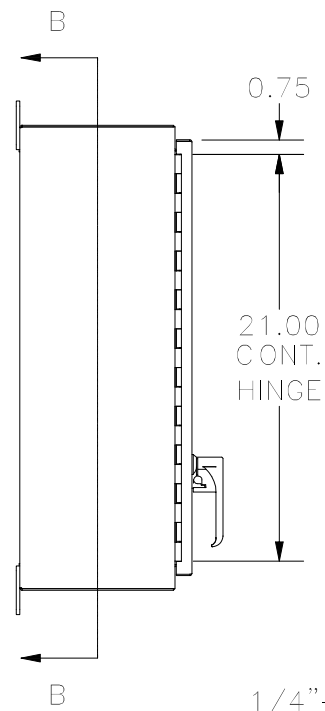
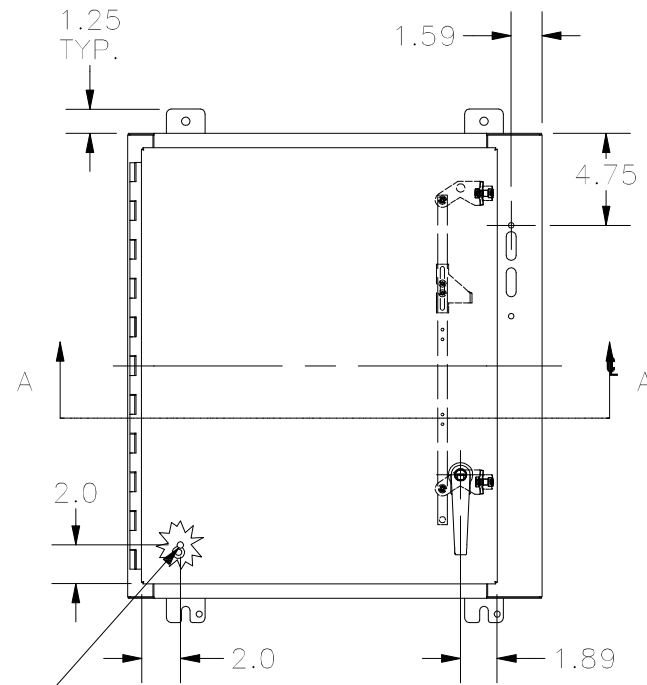


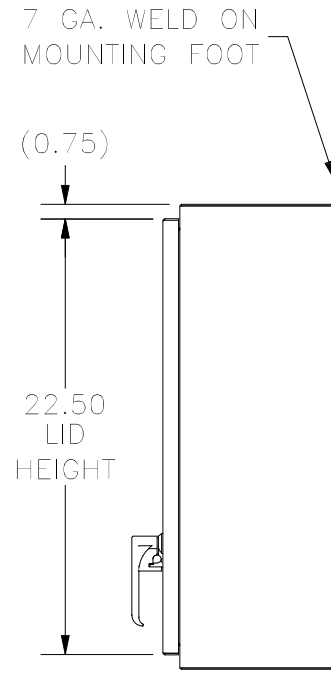
**TOP VIEW**



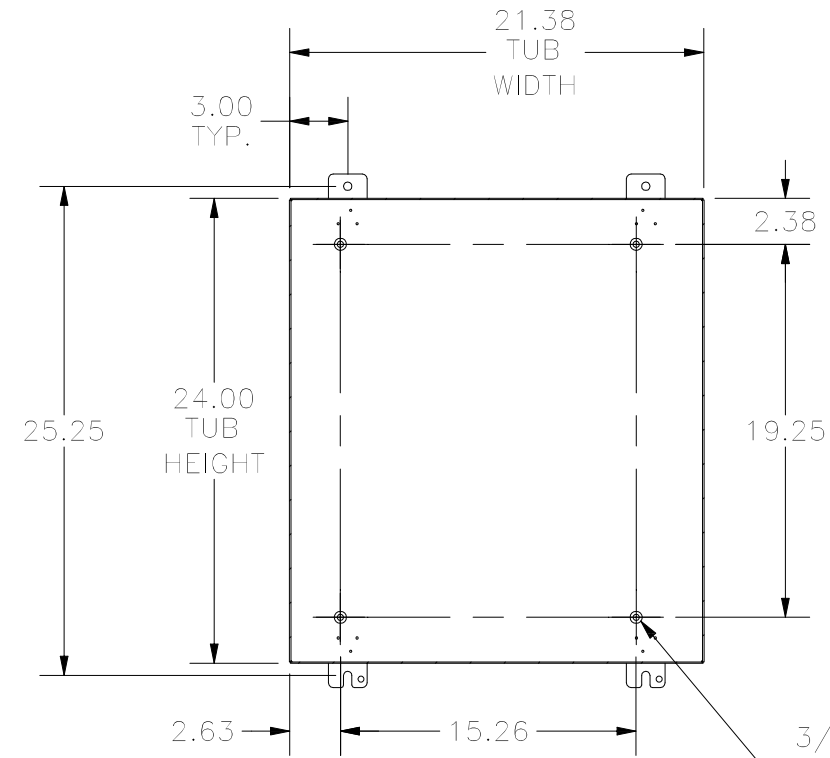
**LEFT VIEW**



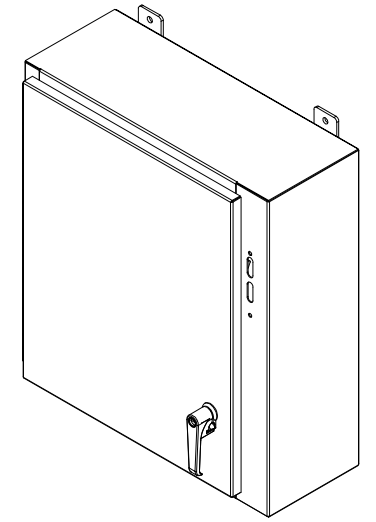
**FRONT VIEW**



**RIGHT VIEW**

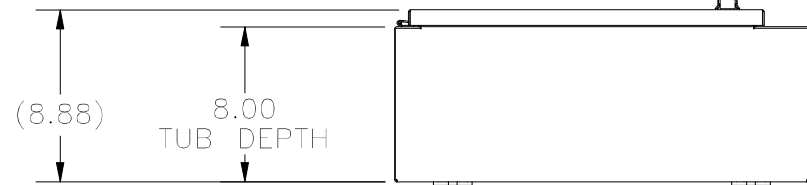


**SECTION B-B  
(INSIDE BACK OF ENCLOSURE)**



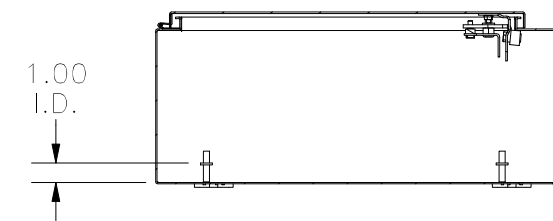
3/8"-16 X 5/8"  
COLLAR STUD  
(TYP 4 PL.)

1/4"-20 X 1/2"  
GROUND STUD



**BOTTOM VIEW**

ZINC DIECAST  
PADLOCKING  
DEFEATER HANDLE



**SECTION A-A  
(INSIDE TOP OF ENCLOSURE)**

PART#: SDN12242108PL  
(DATA SUBJECT TO CHANGE WITHOUT NOTICE)

THIS DRAWING IS PROPERTY OF HUBBELL INC. WIEGMANN  
ALL INFORMATION IS PROPRIETARY AND NOT TO BE DUPLICATED