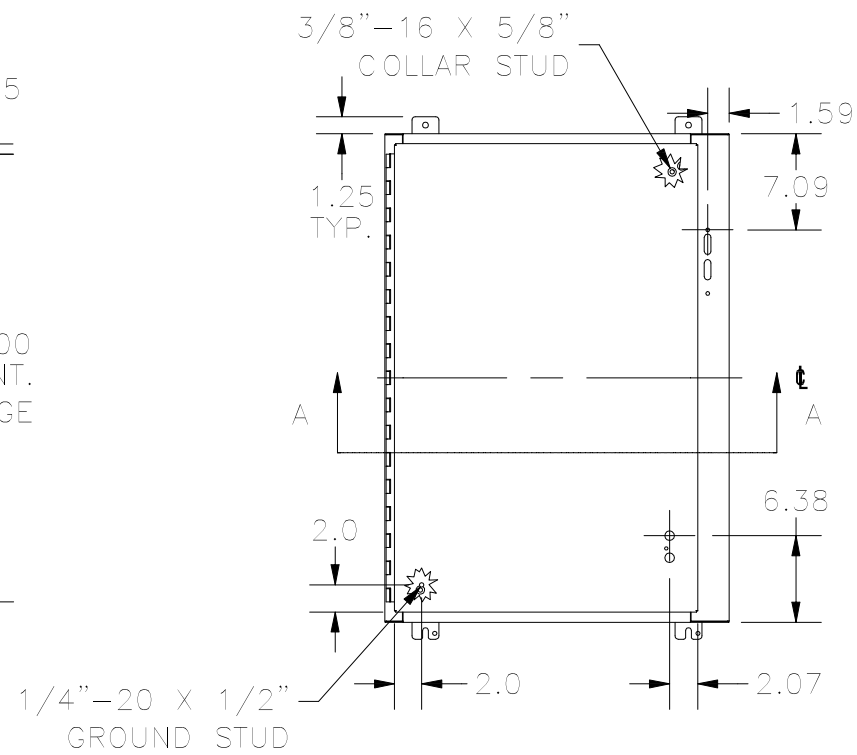
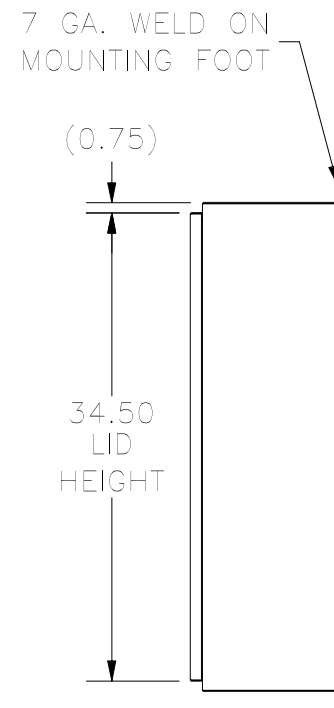


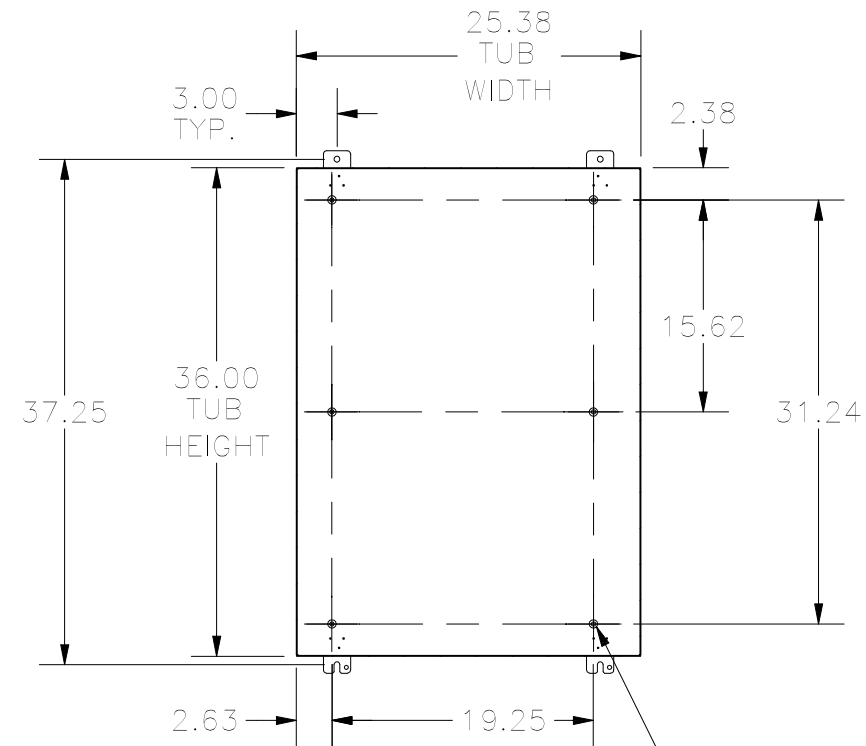
**LEFT VIEW**



**FRONT VIEW**

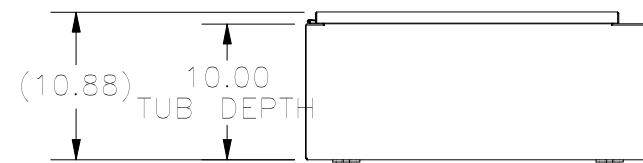
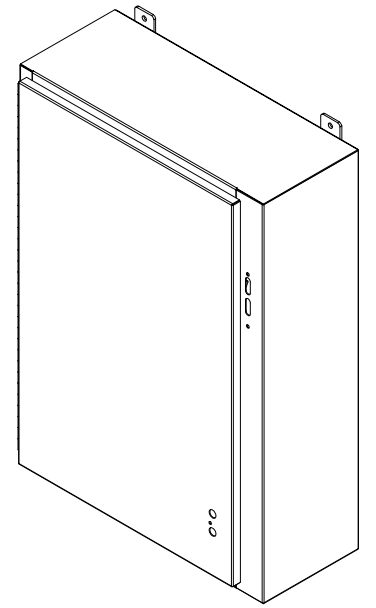


**RIGHT VIEW**

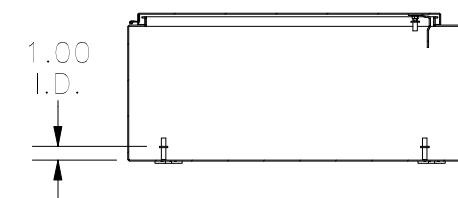


**SECTION B-B  
(INSIDE BACK OF ENCLOSURE)**

3/8"-16 x 5/8"  
COLLAR STUD  
(TYP 6 PL.)



**BOTTOM VIEW**



**SECTION A-A  
(INSIDE TOP OF ENCLOSURE)**

PART#: SDN12362510  
(DATA SUBJECT TO CHANGE WITHOUT NOTICE)

THIS DRAWING IS PROPERTY OF HUBBELL INC. WIEGMANN  
ALL INFORMATION IS PROPRIETARY AND NOT TO BE DUPLICATED