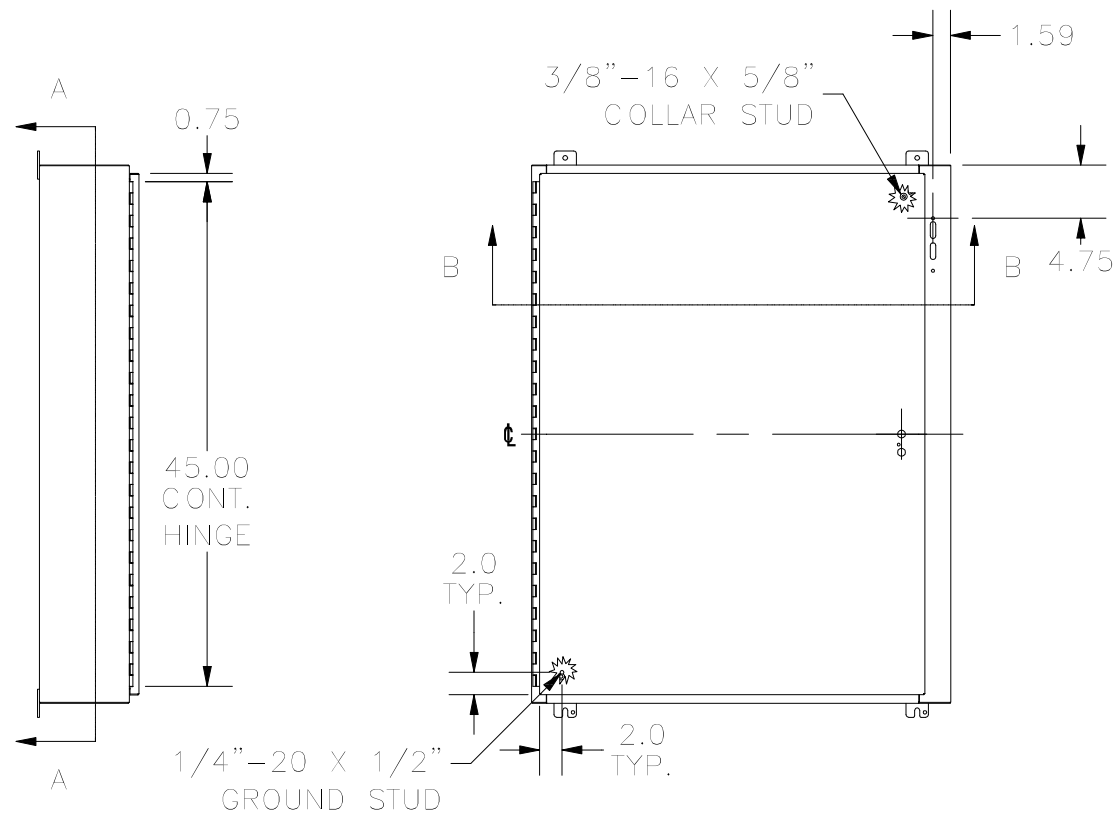
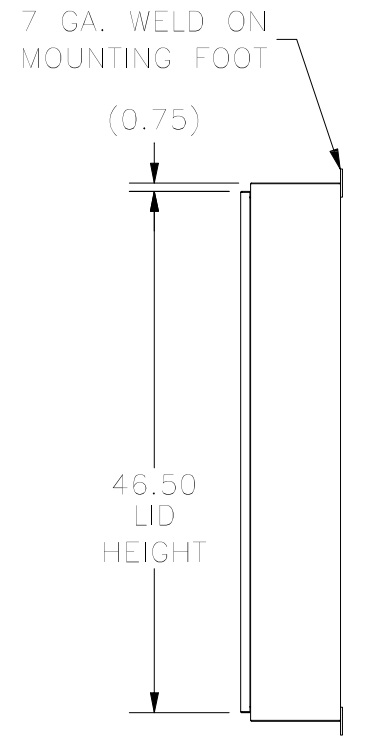


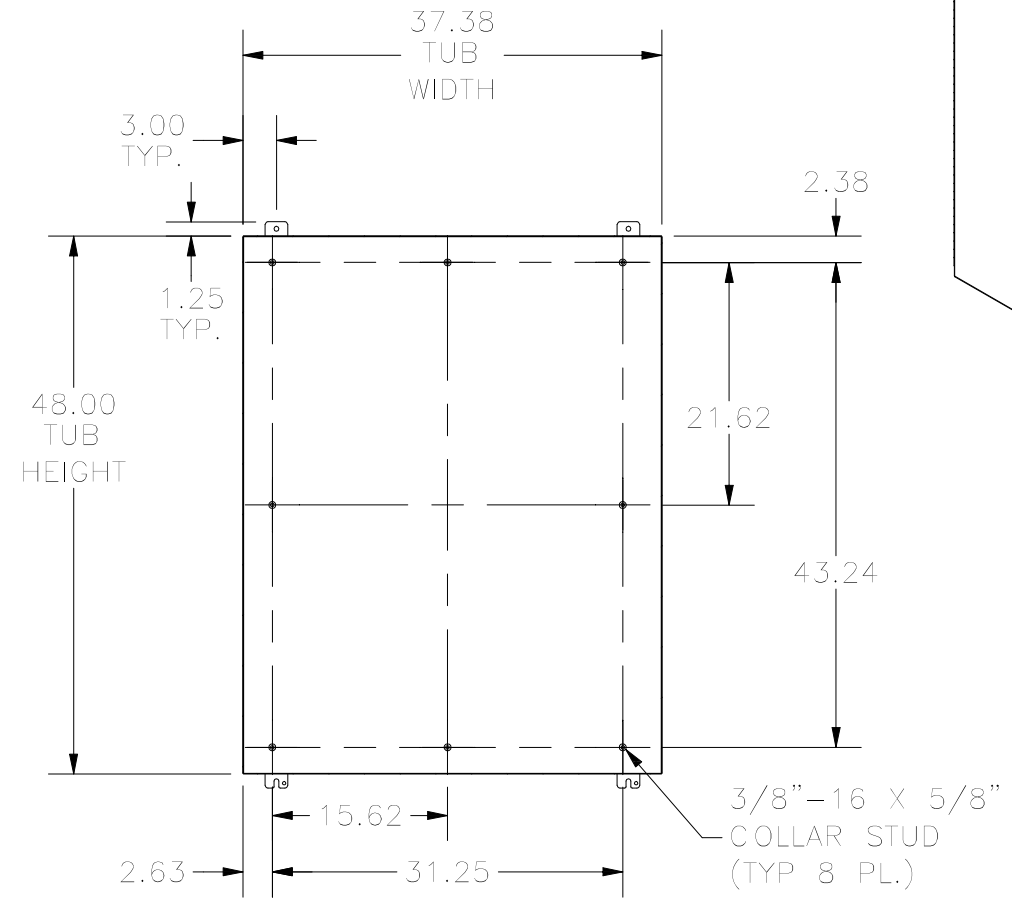
TOP VIEW



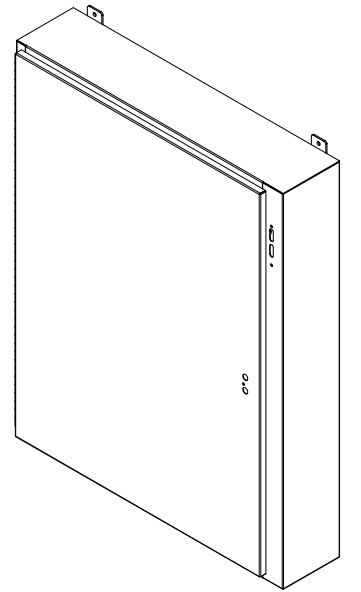
FRONT VIEW



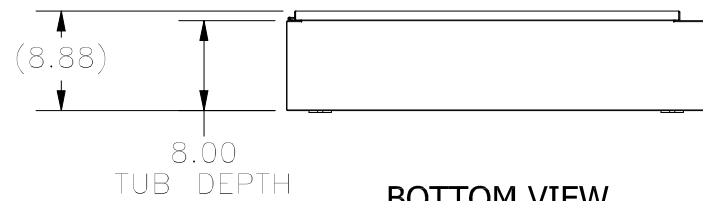
RIGHT SIDE



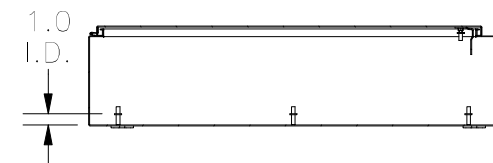
**SECTION A-A
(INSIDE BACK OF TUB)**



LEFT SIDE



BOTTOM VIEW



**SECTION B-B
(INSIDE TOP OF ENCLOSURE)**

PART#: SDN12483708
(DATA SUBJECT TO CHANGE WITHOUT NOTICE)

THIS DRAWING IS PROPERTY OF HUBBELL INC. WIEGMANN
ALL INFORMATION IS PROPRIETARY AND NOT TO BE DUPLICATED