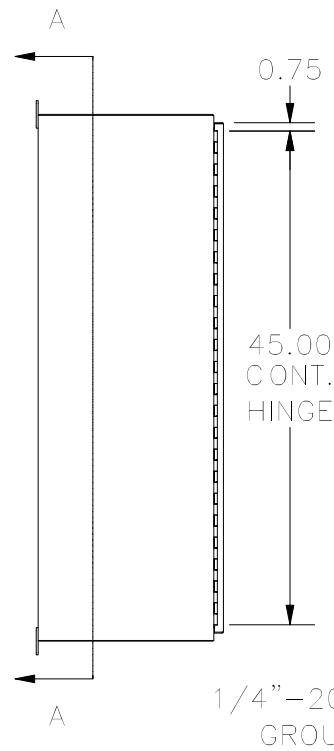
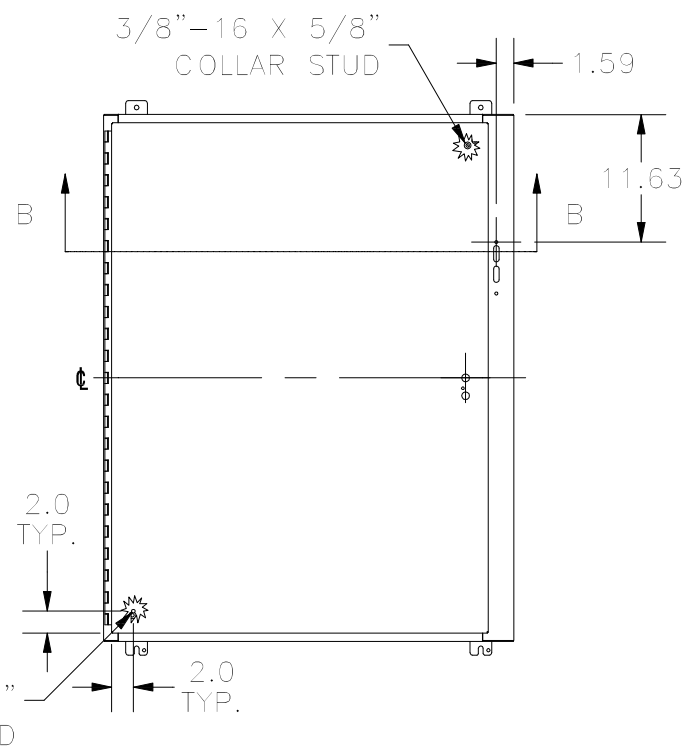


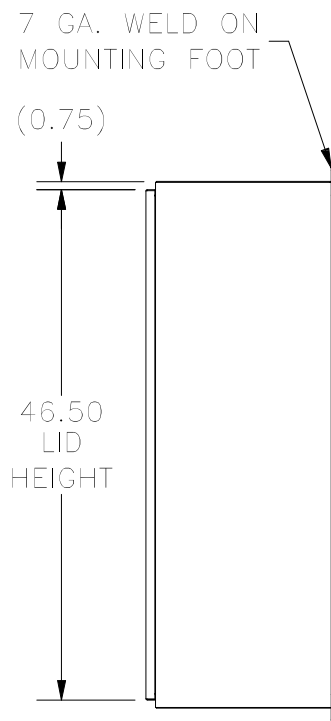
TOP VIEW



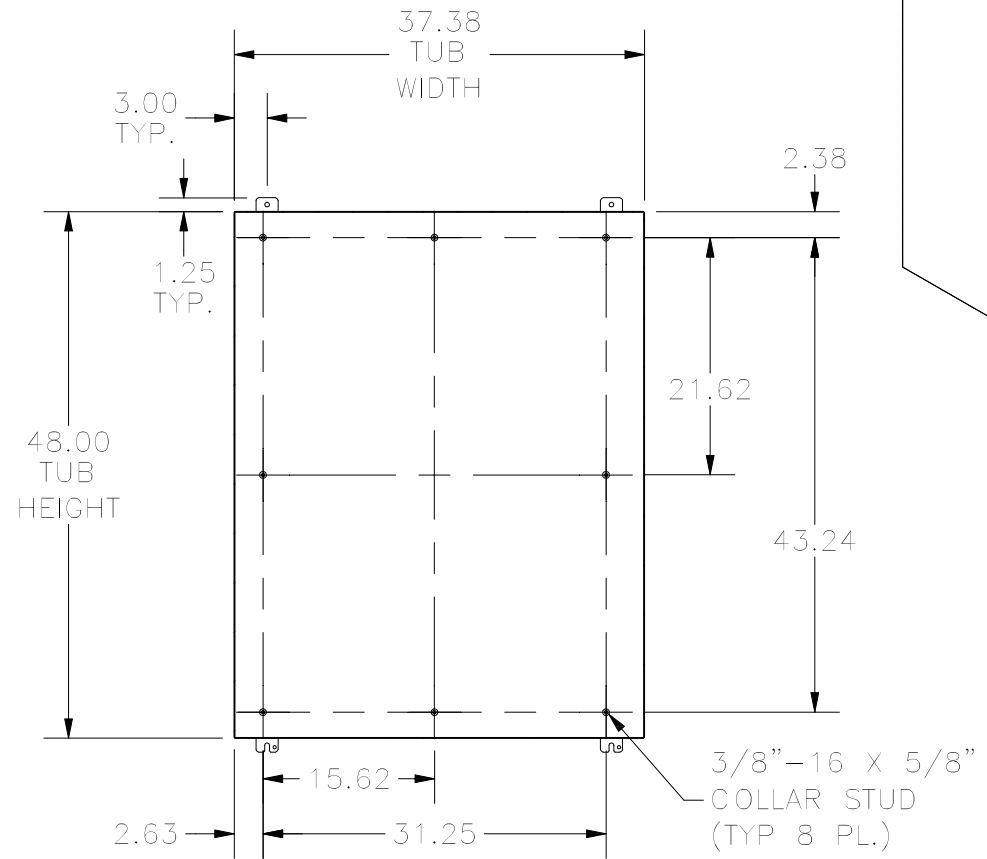
LEFT SIDE



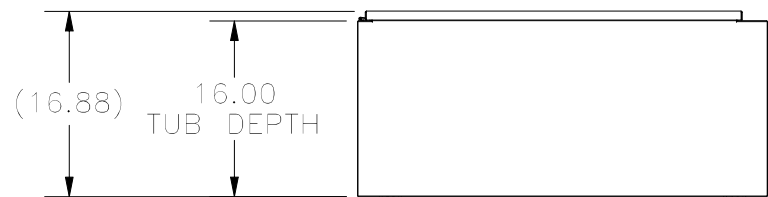
FRONT VIEW



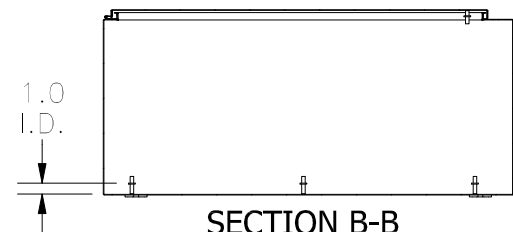
RIGHT SIDE



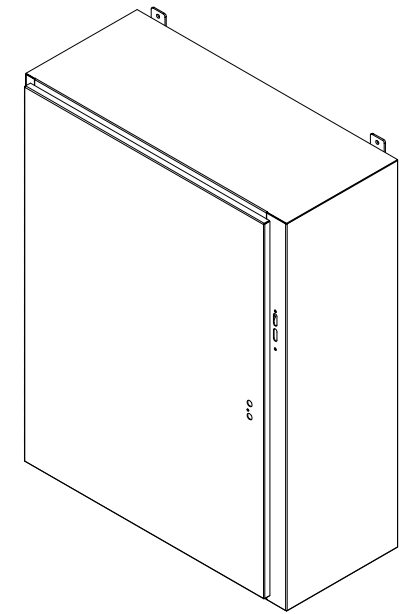
**SECTION A-A
(INSIDE BACK OF TUB)**



BOTTOM VIEW



**SECTION B-B
(INSIDE TOP OF ENCLOSURE)**



PART#: SDN12483816
 (DATA SUBJECT TO CHANGE WITHOUT NOTICE)

THIS DRAWING IS PROPERTY OF HUBBELL INC. WIEGMANN
 ALL INFORMATION IS PROPRIETARY AND NOT TO BE DUPLICATED