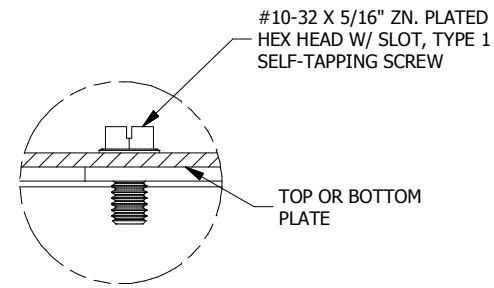
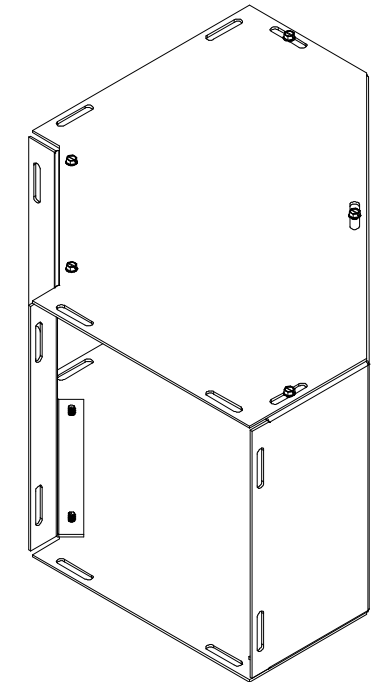


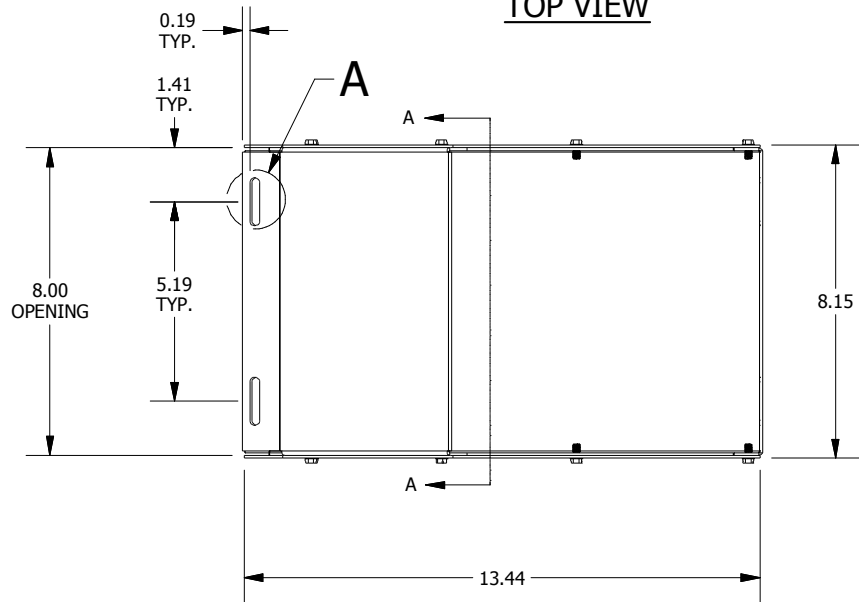
**DETAIL A (22 PL.)
(SLOT DETAIL)**



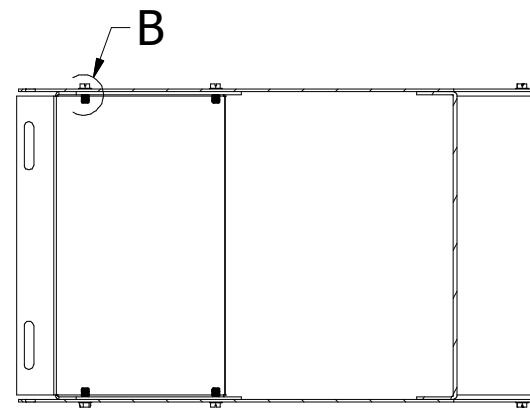
**DETAIL B (10 PL.)
(ASSM. DETAIL)**



TOP VIEW



FRONT VIEW



**SECTION A-A
(INSIDE VIEW OF SIDE)**

PART#: SL080890

(DATA SUBJECT TO CHANGE WITHOUT NOTICE)

THIS DRAWING IS PROPERTY OF HUBBELL INC. WIEGMANN
ALL INFORMATION IS PROPRIETARY AND NOT TO BE DUPLICATED