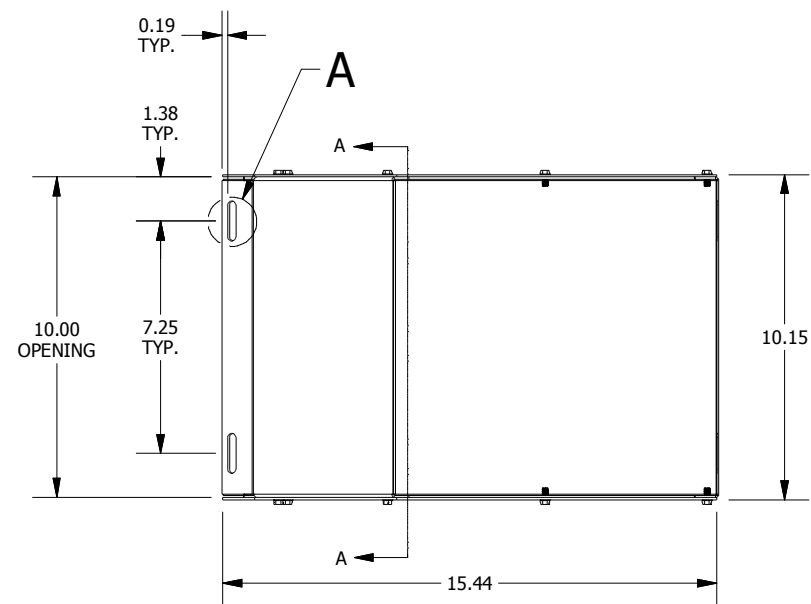
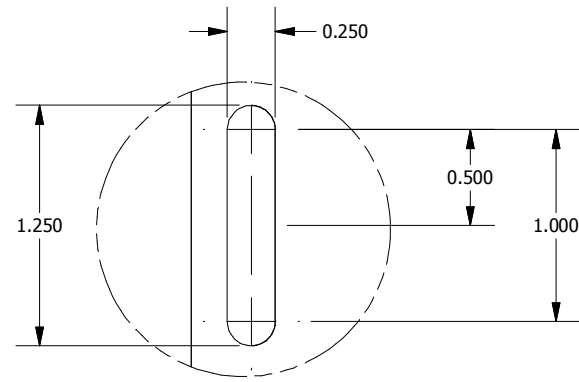


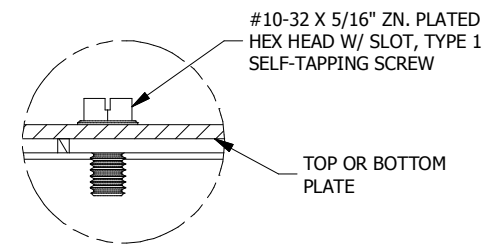
TOP VIEW



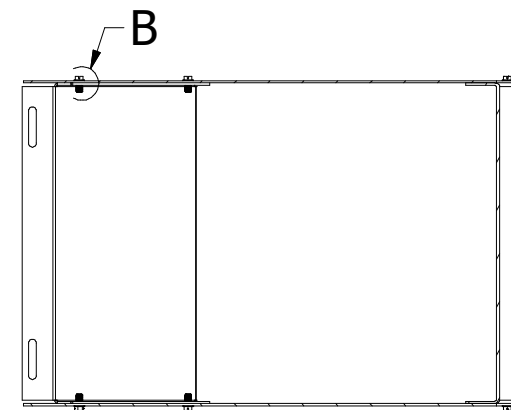
FRONT VIEW



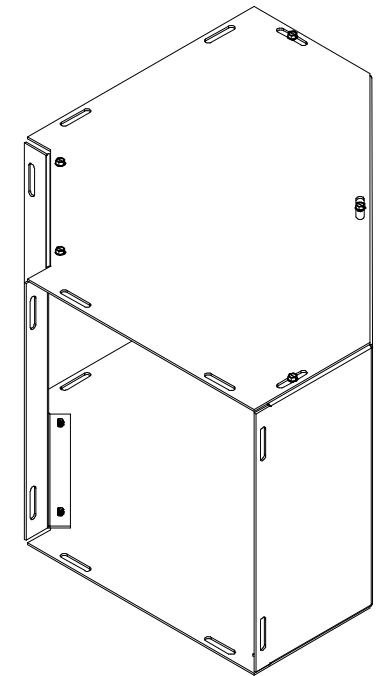
DETAIL A (22 PL.)
(SLOT DETAIL)



DETAIL B (10 PL.)
(ASSM. DETAIL)



SECTION A-A
(INSIDE VIEW OF SIDE)



PART#: SL101090G
(DATA SUBJECT TO CHANGE WITHOUT NOTICE)

THIS DRAWING IS PROPERTY OF HUBBELL INC. WIEGMANN
ALL INFORMATION IS PROPRIETARY AND NOT TO BE DUPLICATED