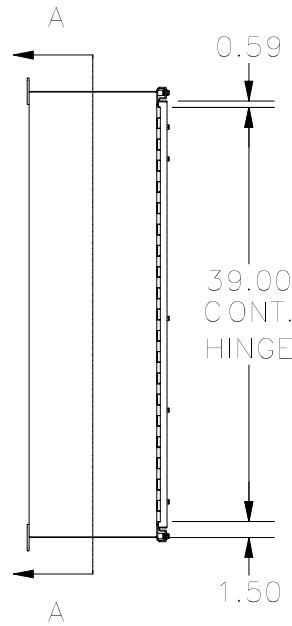
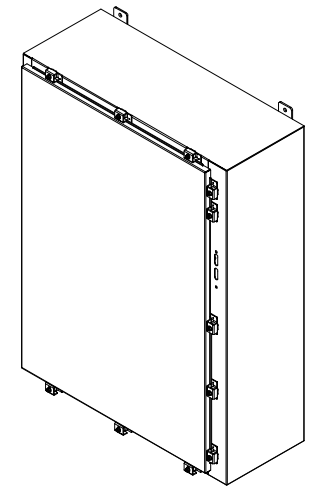
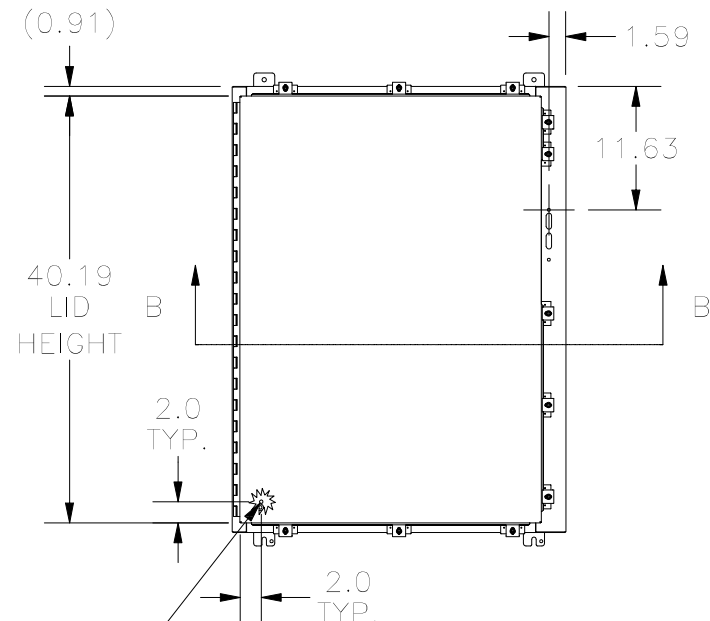


TOP VIEW

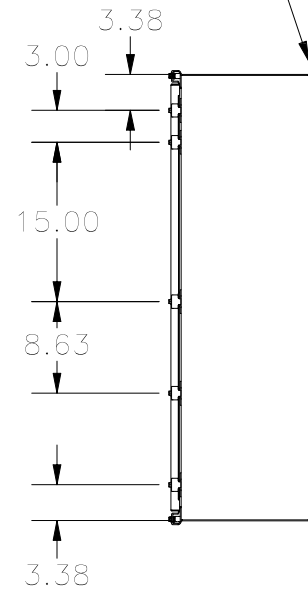


LEFT SIDE

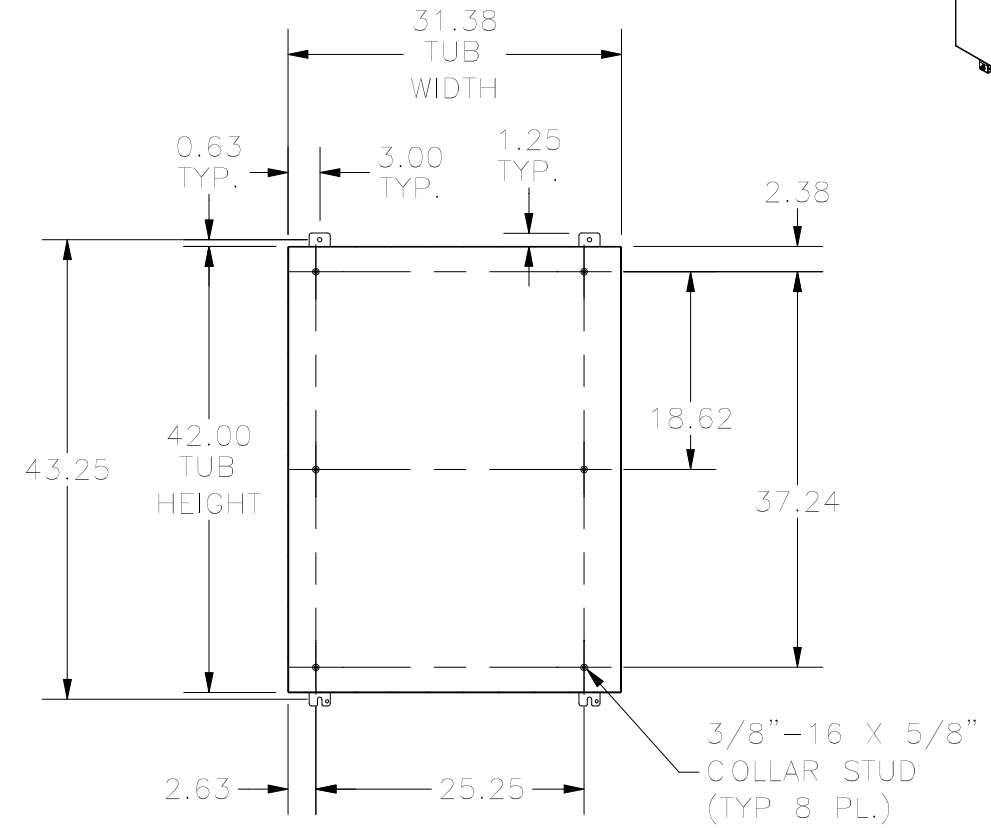


FRONT VIEW

7 GA. WELD ON MOUNTING FOOT

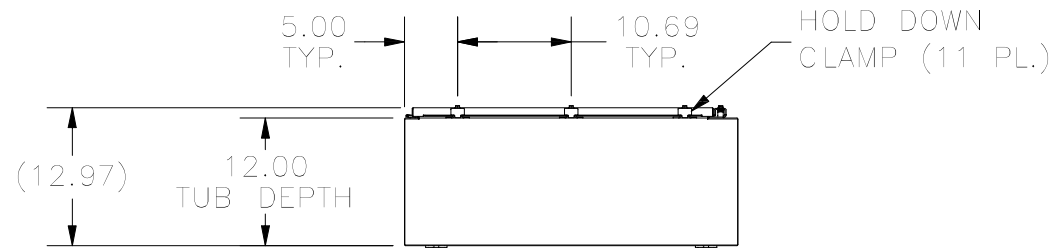


RIGHT SIDE



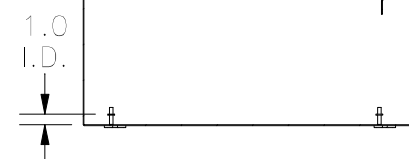
**SECTION A-A
(INSIDE BACK OF TUB)**

1/4"-20 X 1/2"
GROUND STUD



BOTTOM VIEW

HOLD DOWN CLAMP (11 PL.)



**SECTION B-B
(INSIDE TOP OF ENCLOSURE)**

PART#: SN4423112
(DATA SUBJECT TO CHANGE WITHOUT NOTICE)

THIS DRAWING IS PROPERTY OF HUBBELL INC. WIEGMANN
ALL INFORMATION IS PROPRIETARY AND NOT TO BE DUPLICATED