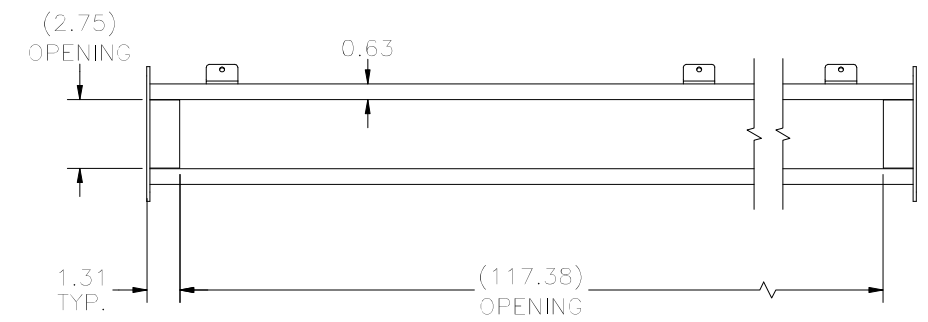
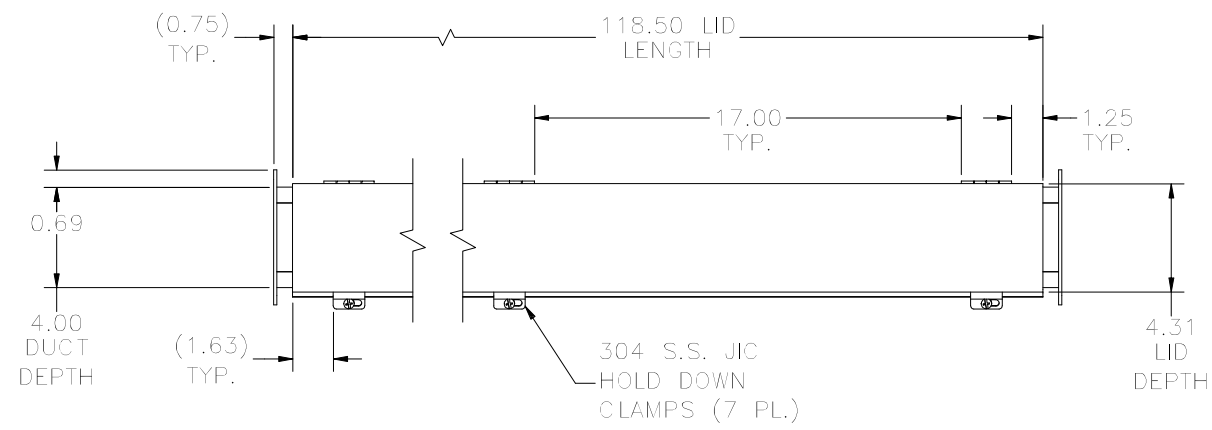
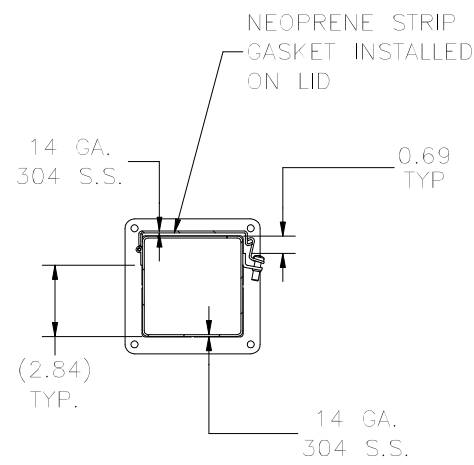


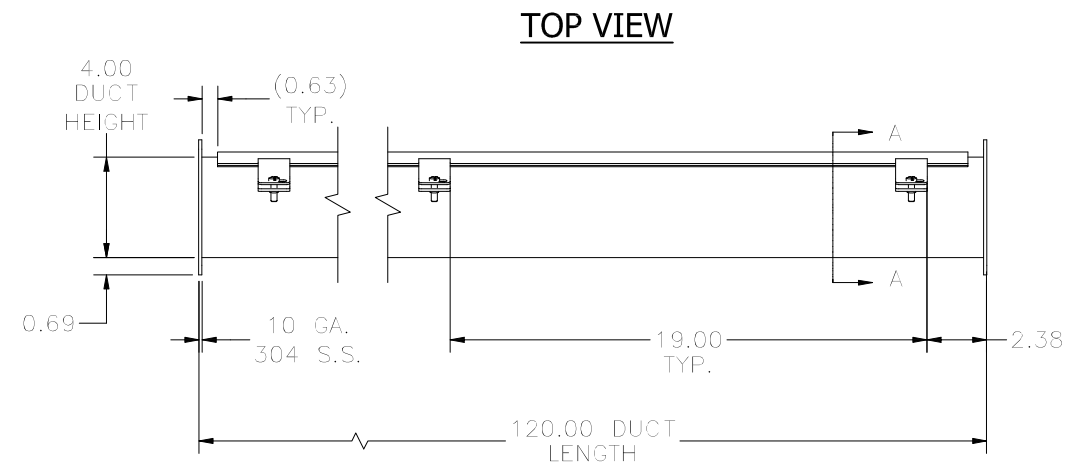
REVISION HISTORY		
REV	DESCRIPTION	DATE
-		



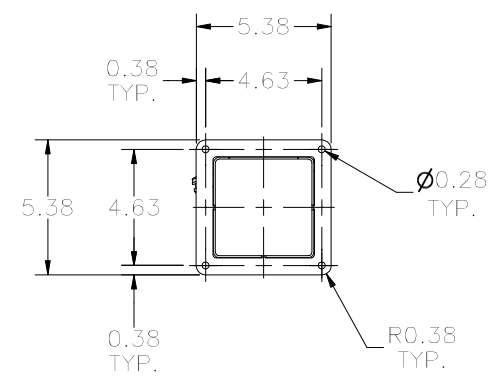
TOP VIEW (LID ASSM. NOT SHOWN)



SECTION A-A VIEW



FRONT VIEW



RIGHT SIDE VIEW



REAR VIEW



BOTTOM VIEW

PART#: SSJW410
 (DATA SUBJECT TO CHANGE WITHOUT NOTICE)

THIS DRAWING IS PROPERTY OF HUBBELL INC. WEIGMANN
 ALL INFORMATION IS PROPRIETARY AND NOT TO BE DUPLICATED

