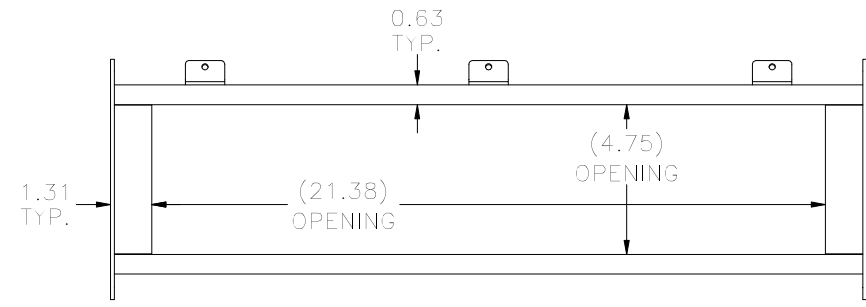
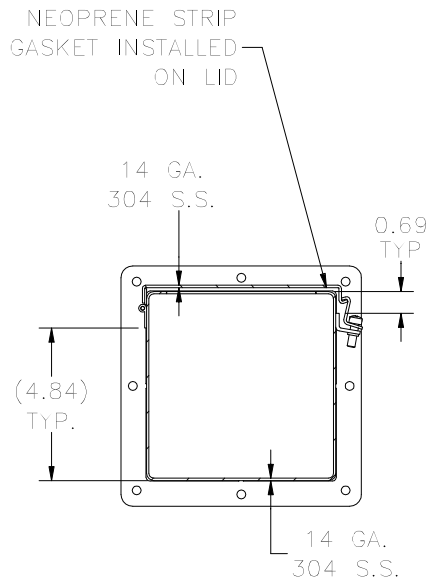


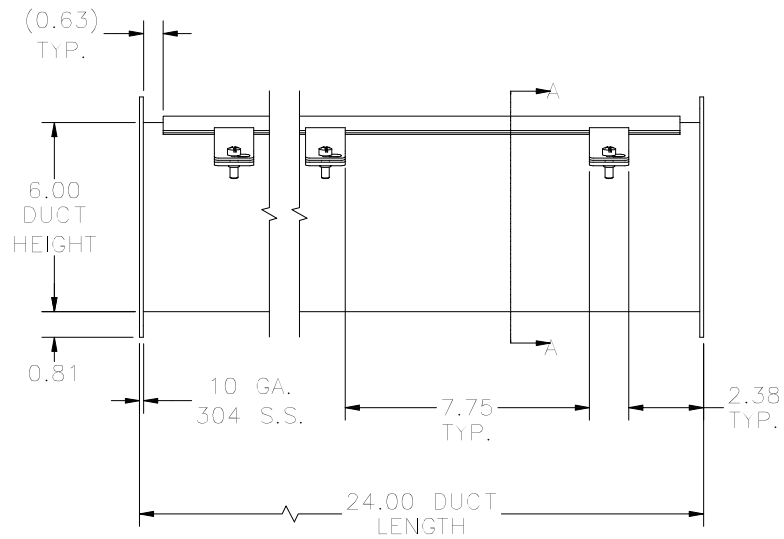
**TOP VIEW**



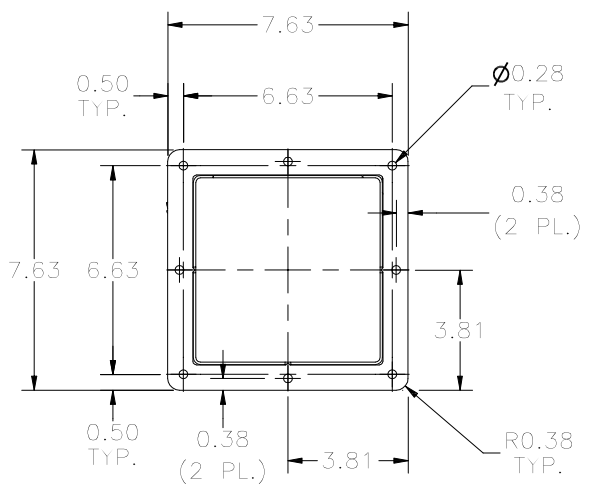
**TOP VIEW (LID ASSM. NOT SHOWN)**



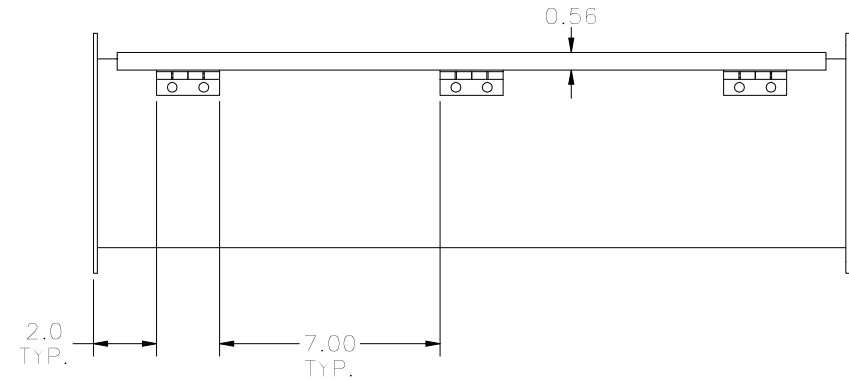
**SECTION A-A VIEW**



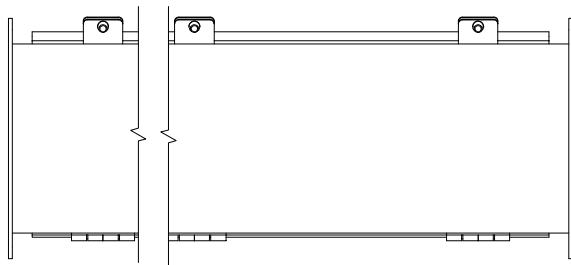
**FRONT VIEW**



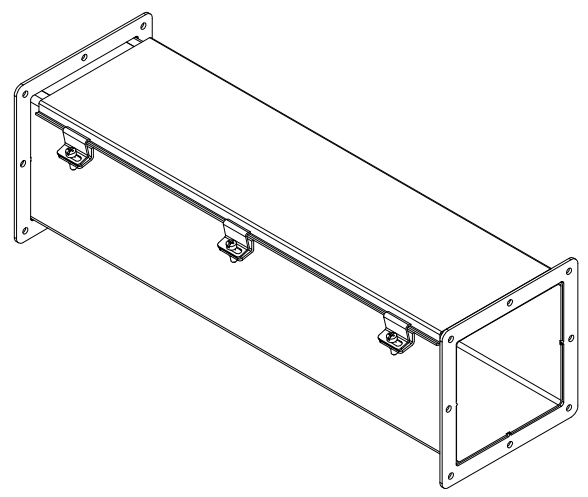
**RIGHT SIDE VIEW**



**REAR VIEW**



**BOTTOM VIEW**



PART#: SSJW62  
 (DATA SUBJECT TO CHANGE WITHOUT NOTICE)

THIS DRAWING IS PROPERTY OF HUBBELL INC. WEIGMANN  
 ALL INFORMATION IS PROPRIETARY AND NOT TO BE DUPLICATED