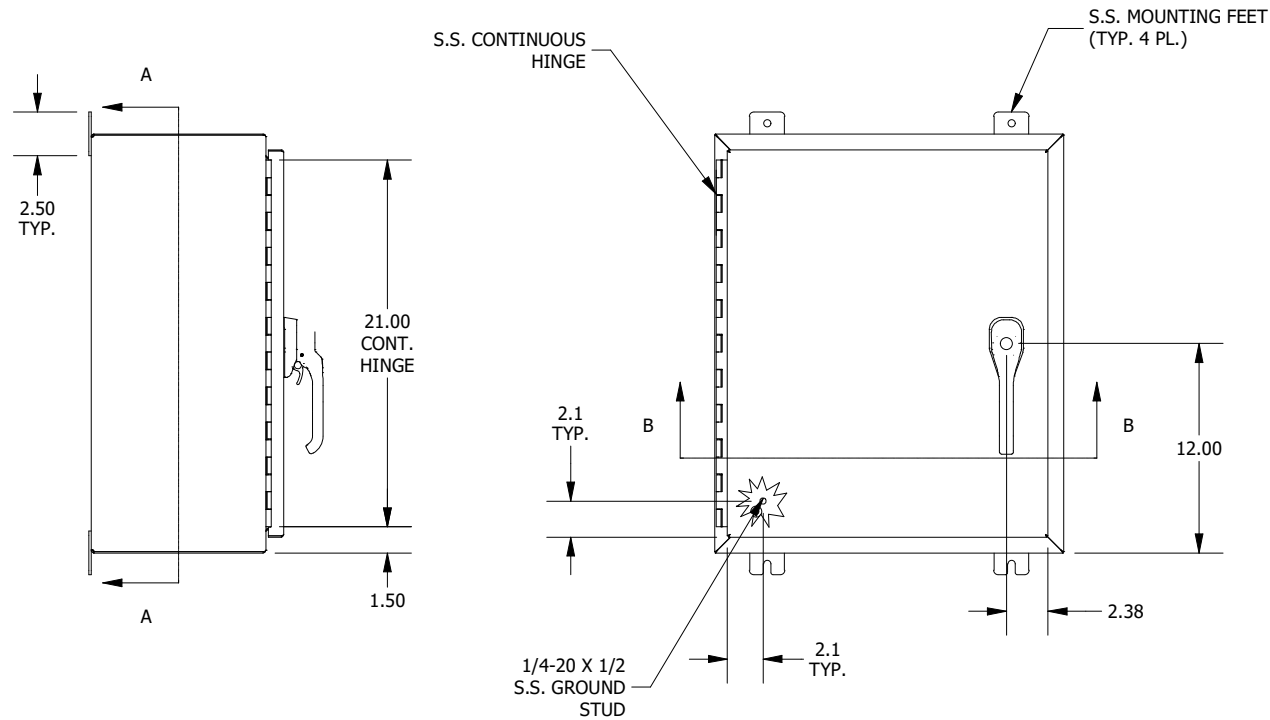
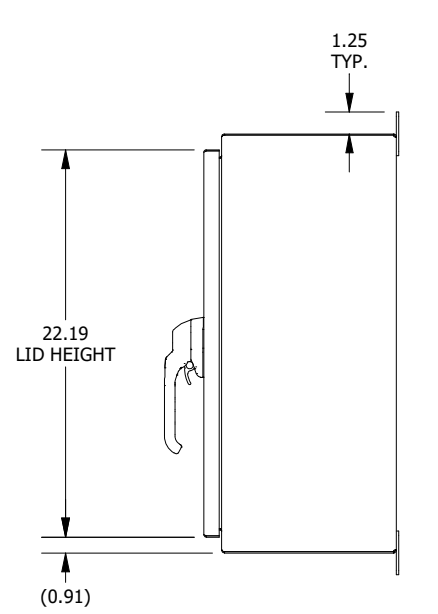


**TOP VIEW**

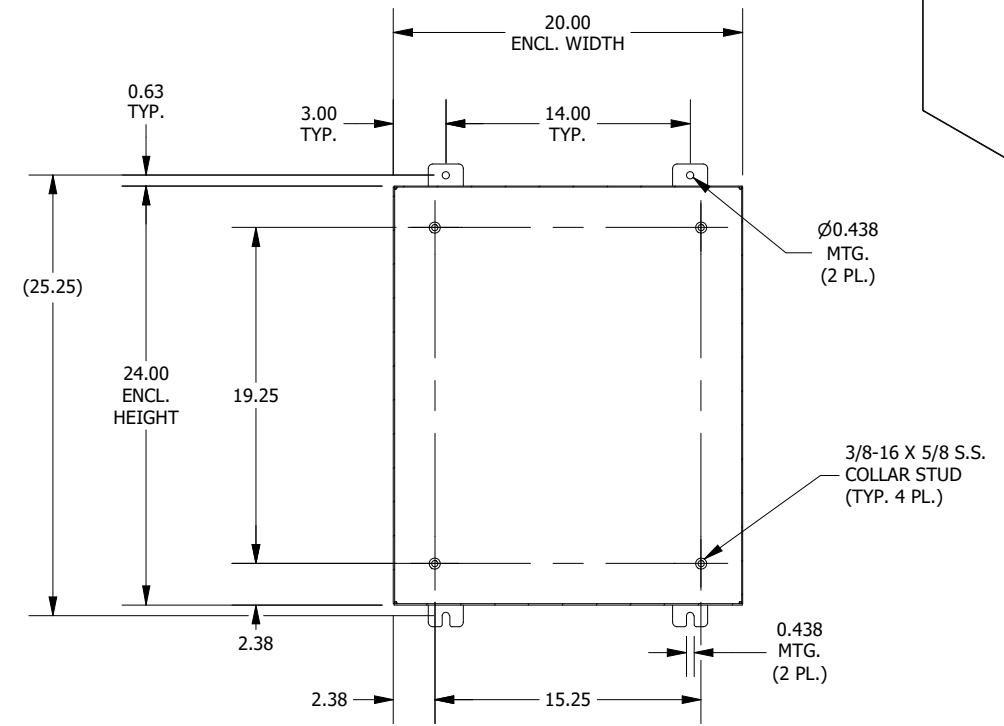


**LEFT SIDE VIEW**

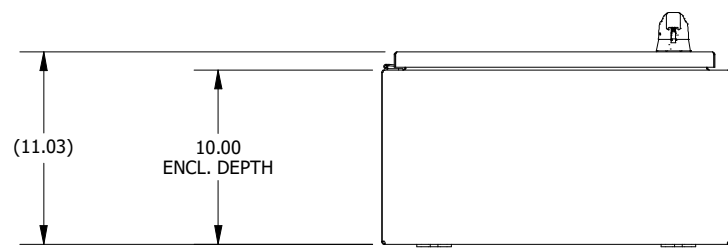
**FRONT VIEW**



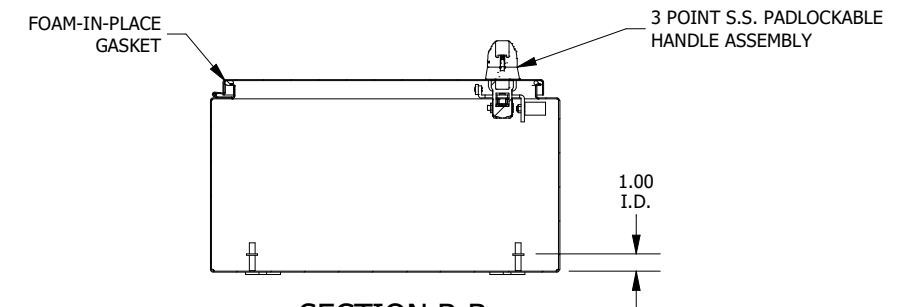
**RIGHT SIDE VIEW**



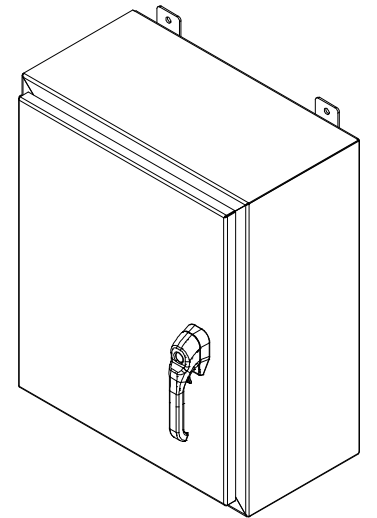
**SECTION A-A  
(INSIDE BACK OF ENCLOSURE)**



**BOTTOM VIEW**



**SECTION B-B  
(INSIDE TOP OF ENCLOSURE)**



PART #:SSN42420103PT  
 (DATA SUBJECT TO CHANGE WITHOUT NOTICE)  
 THIS DRAWING IS THE PROPERTY OF HUBBELL INC. WIEGMANN  
 ALL INFORMATION IS PROPRIETARY AND NOT TO BE DUPLICATED