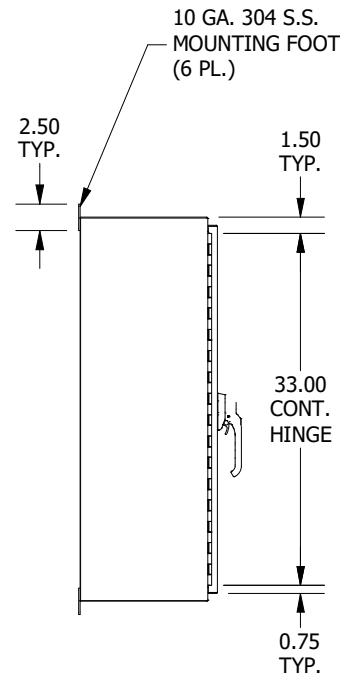
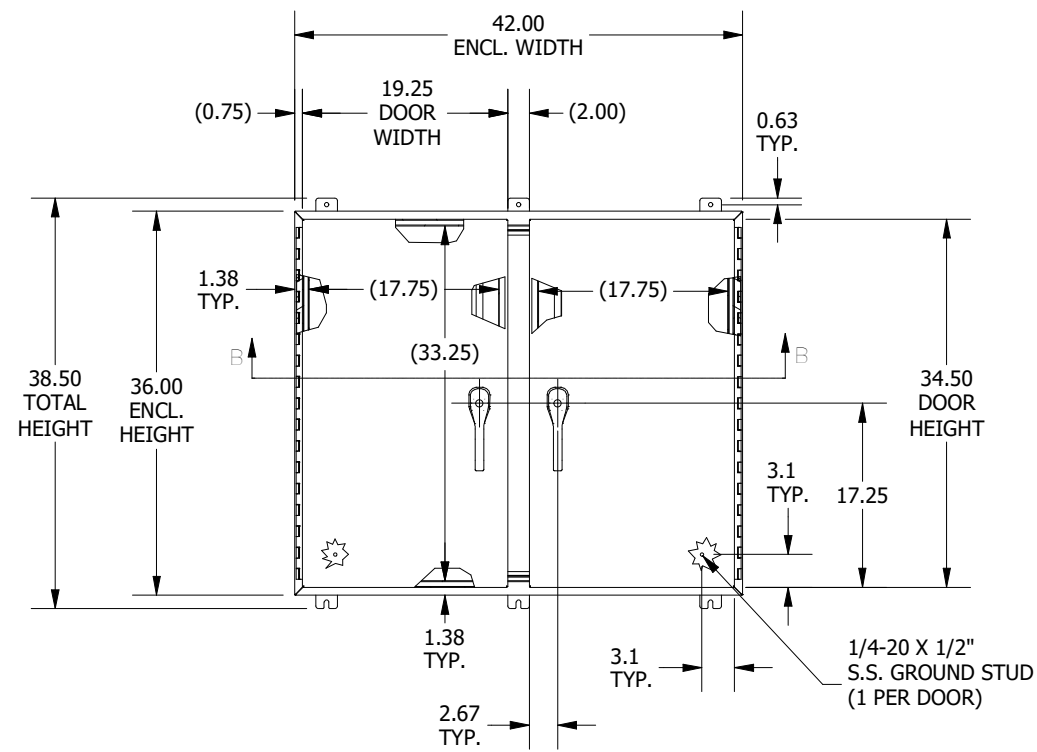


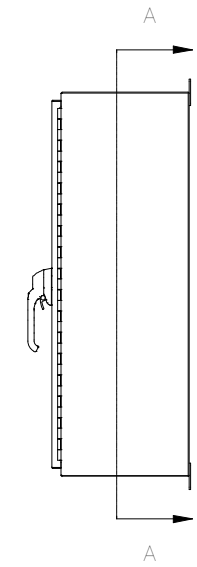
**TOP VIEW**



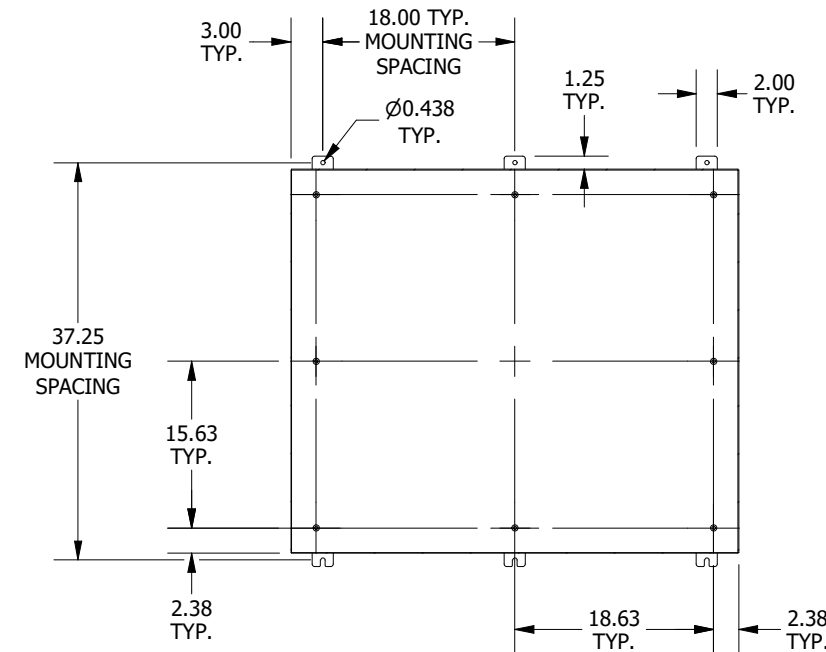
**LEFT SIDE VIEW**



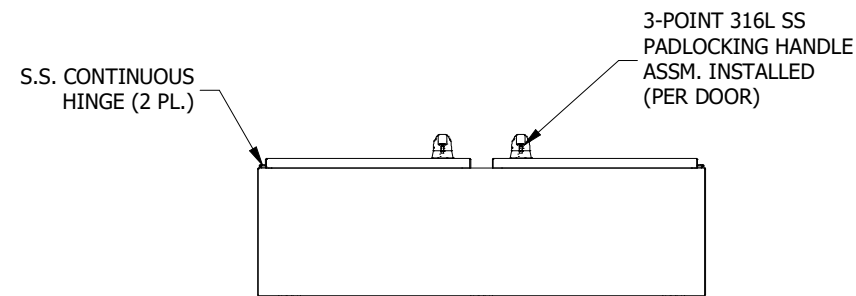
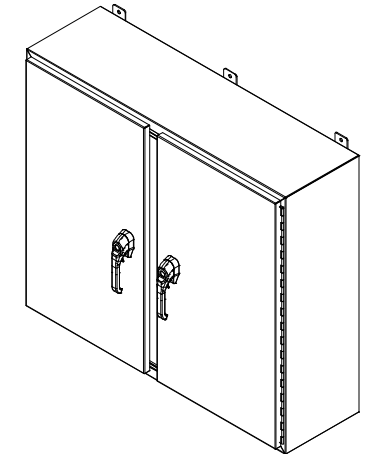
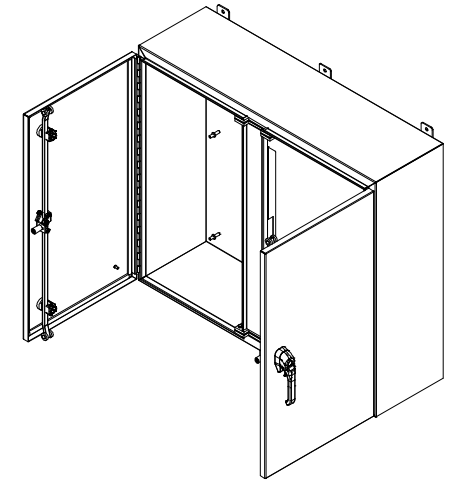
**FRONT VIEW**



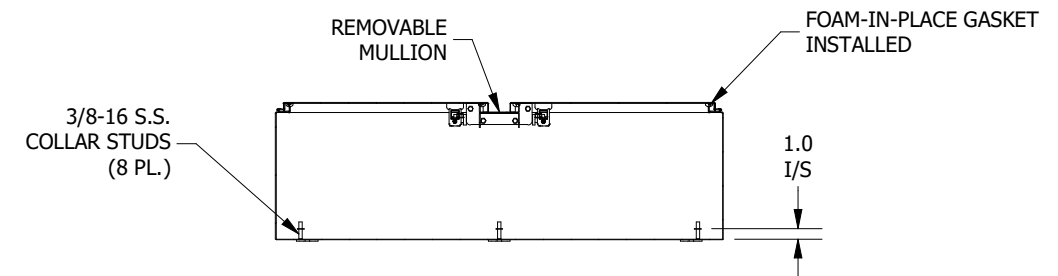
**RIGHT SIDE VIEW**



**SECTION A-A  
(INSIDE BACK VIEW OF ENCL.)**



**BOTTOM VIEW**



**SECTION B-B  
(INSIDE VIEW OF TOP)**

**PART #:SSN4364212WF3PT  
(DATA SUBJECT TO CHANGE WITHOUT NOTICE)  
THIS DRAWING IS THE PROPERTY OF HUBBELL INC. WIEGMANN  
ALL INFORMATION IS PROPRIETARY AND NOT TO BE DUPLICATED**