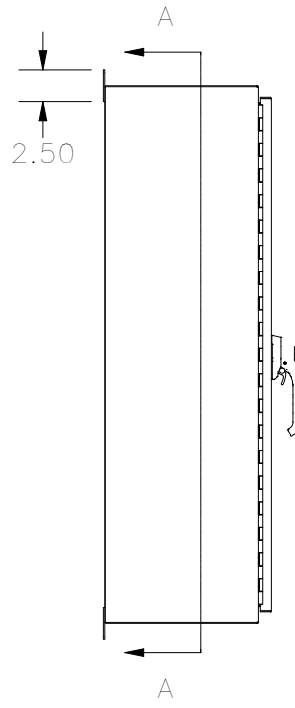
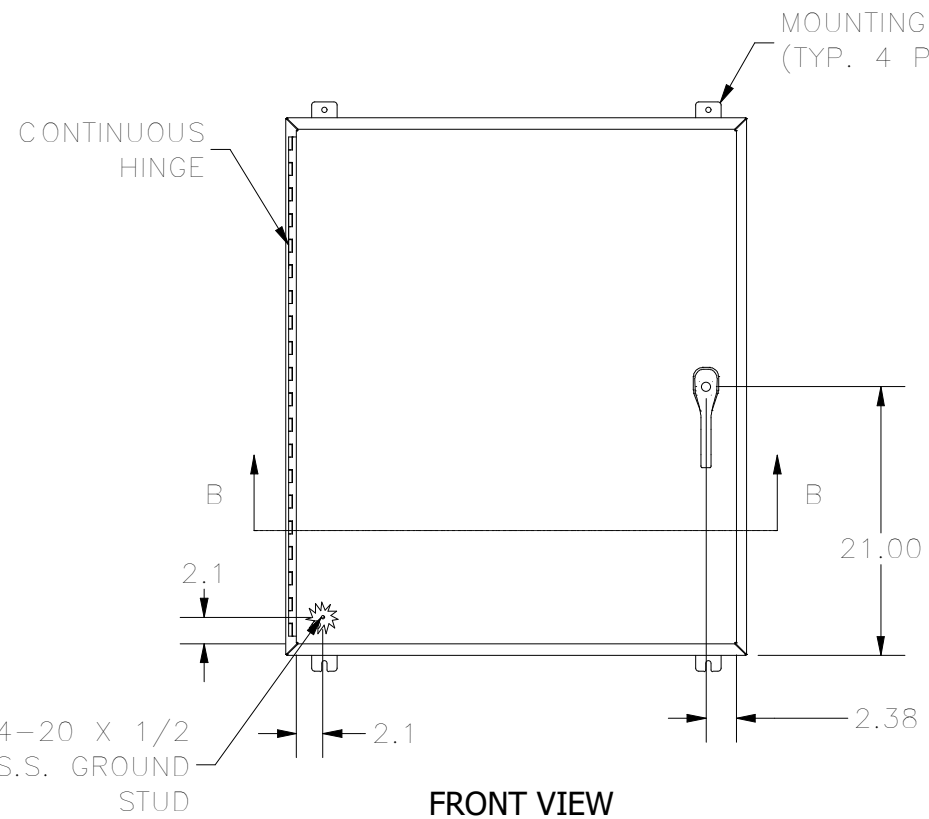


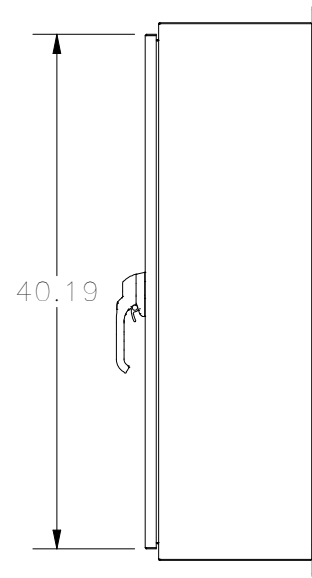
**TOP VIEW**



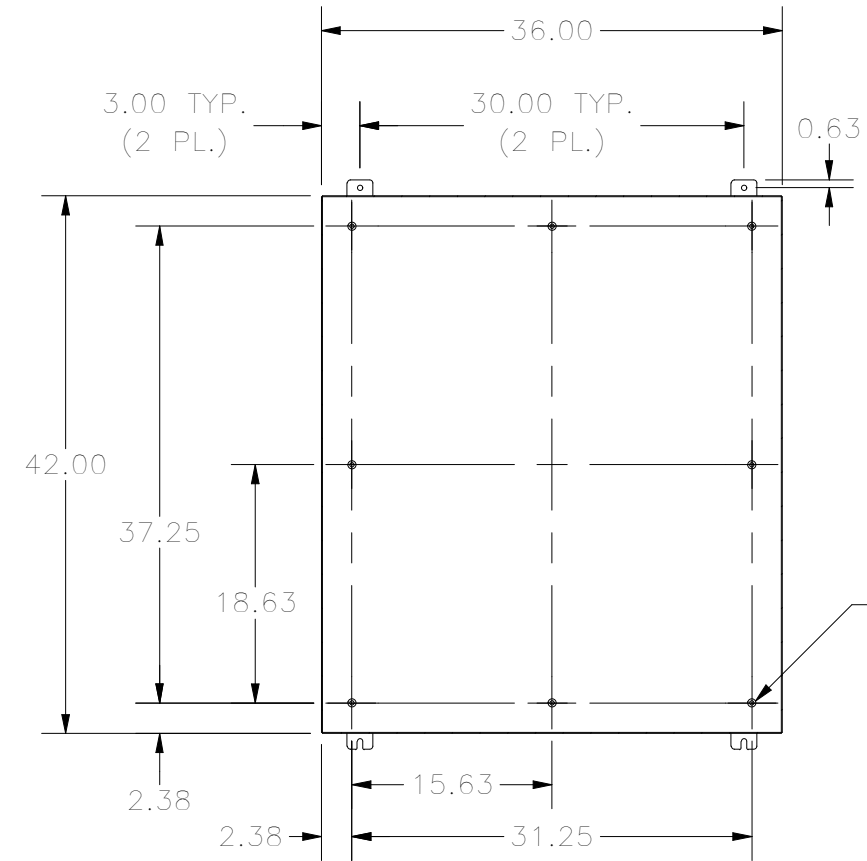
**LEFT SIDE**



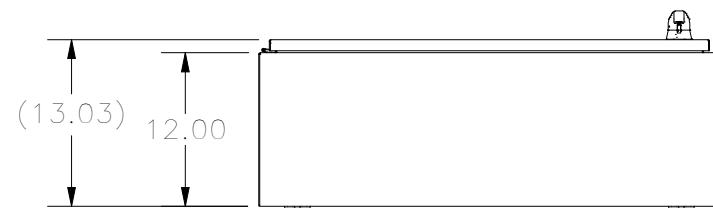
**FRONT VIEW**



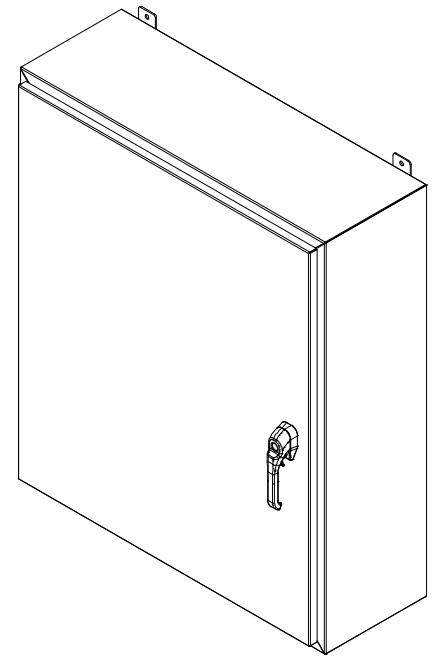
**RIGHT SIDE**



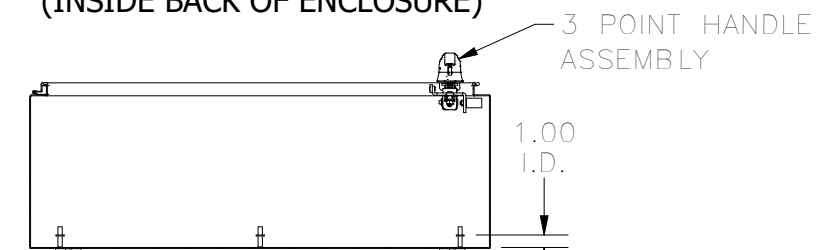
**SECTION A-A  
(INSIDE BACK OF ENCLOSURE)**



**BOTTOM VIEW**



3/8-16 X 5/8  
COLLAR STUD  
(8 PL.)



**SECTION B-B  
(INSIDE TOP OF ENCLOSURE)**

PART #:SSN44236123PTW  
 (DATA SUBJECT TO CHANGE WITHOUT NOTICE)  
 THIS DRAWING IS THE PROPERTY OF HUBBELL INC. WIEGMANN  
 ALL INFORMATION IS PROPRIETARY AND NOT TO BE DUPLICATED