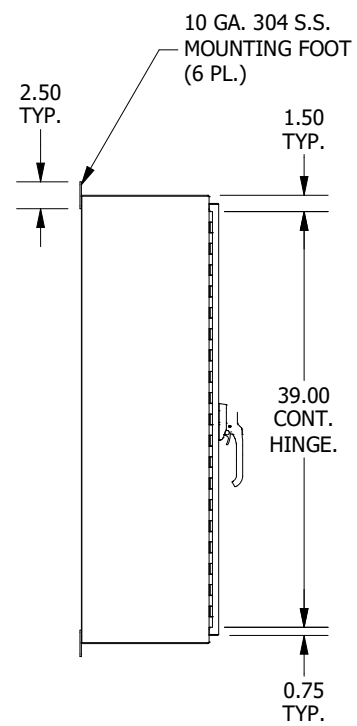
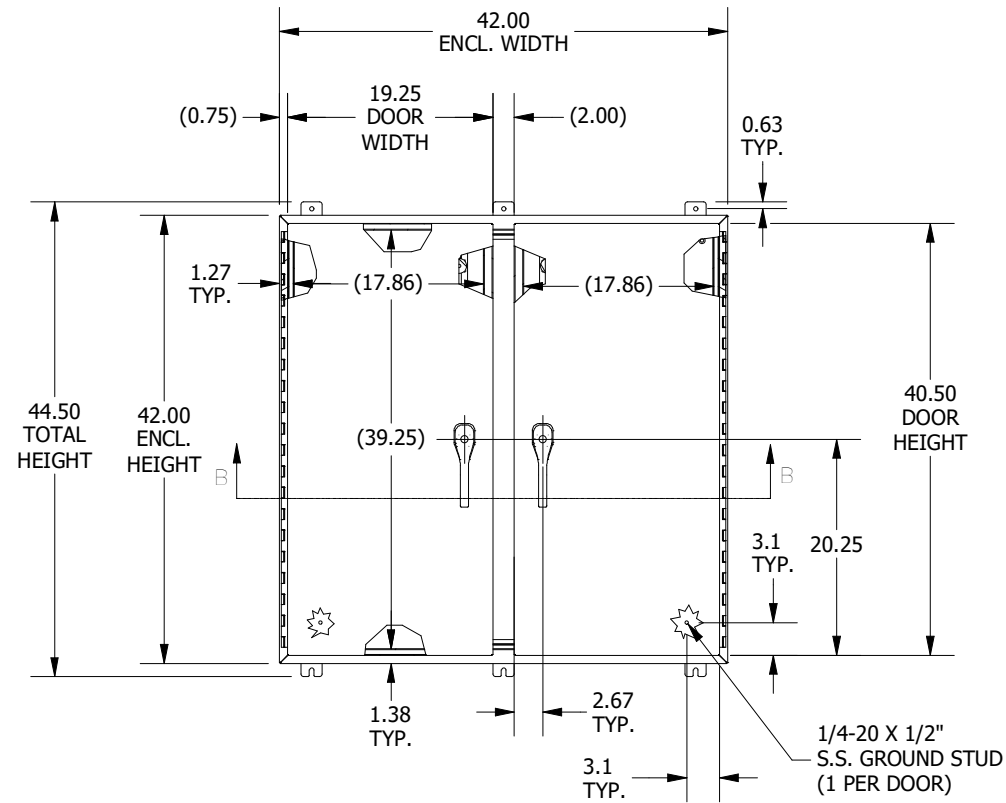


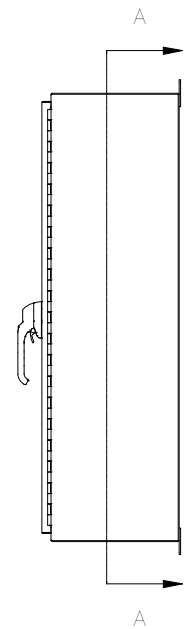
TOP VIEW



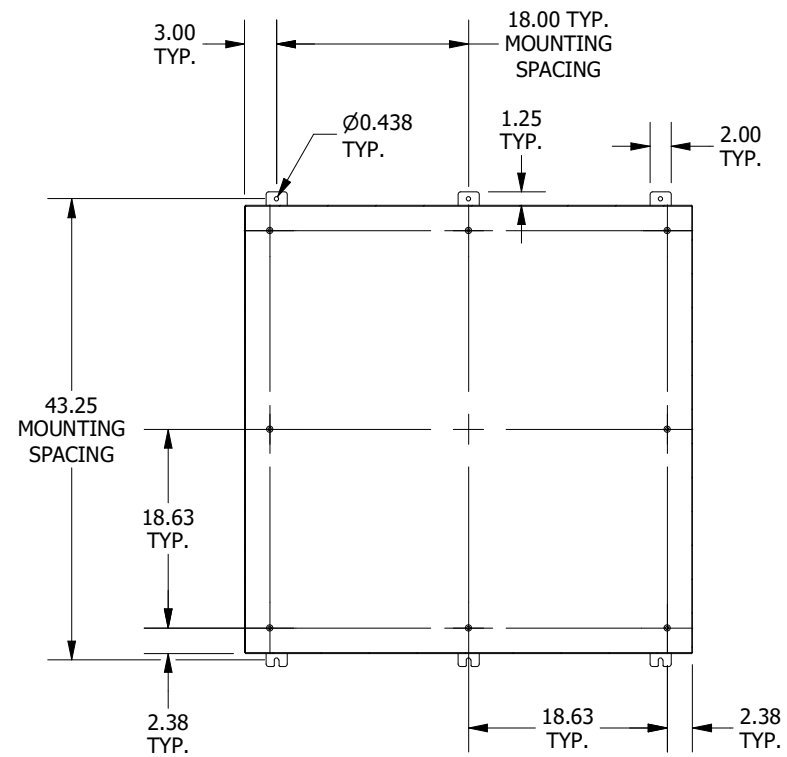
LEFT SIDE VIEW



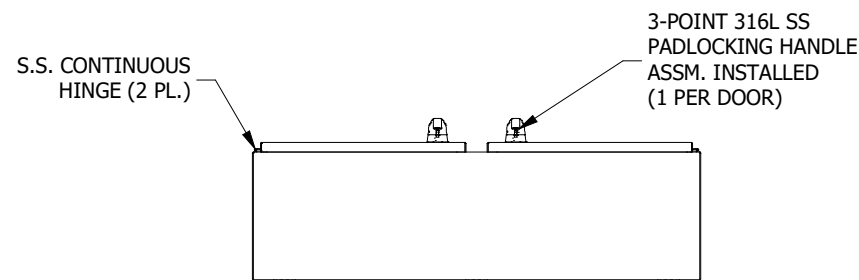
FRONT VIEW



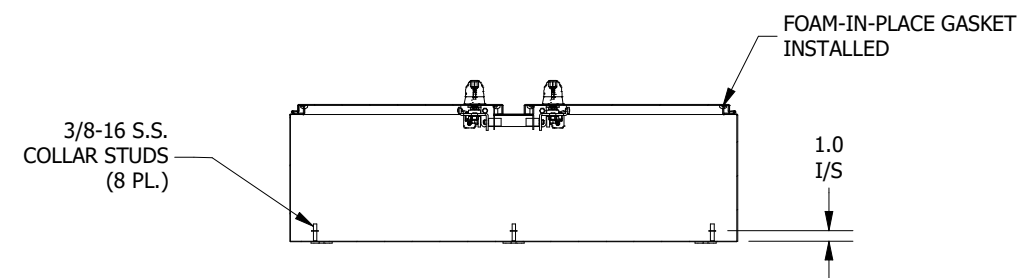
RIGHT SIDE VIEW



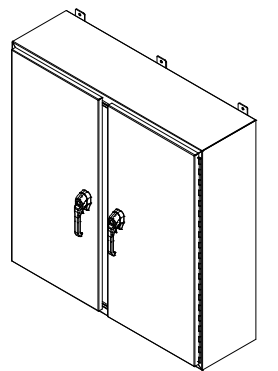
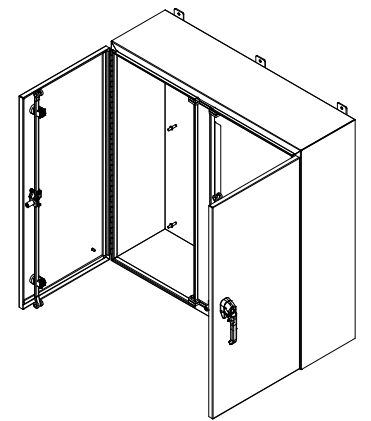
**SECTION A-A
(INSIDE BACK VIEW OF ENCL.)**



BOTTOM VIEW



**SECTION B-B
(INSIDE VIEW OF TOP)**



PART #:SSN4424212WF3PT
(DATA SUBJECT TO CHANGE WITHOUT NOTICE)
THIS DRAWING IS THE PROPERTY OF HUBBELL INC. WIEGMANN
ALL INFORMATION IS PROPRIETARY AND NOT TO BE DUPLICATED