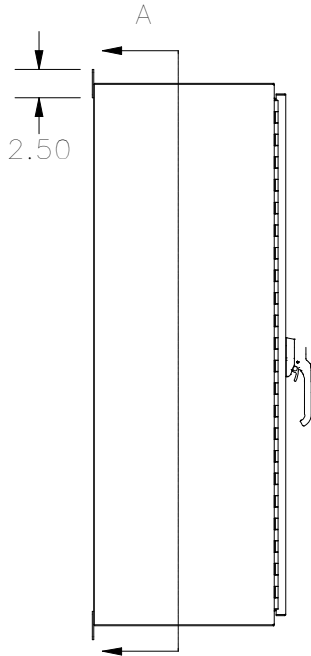
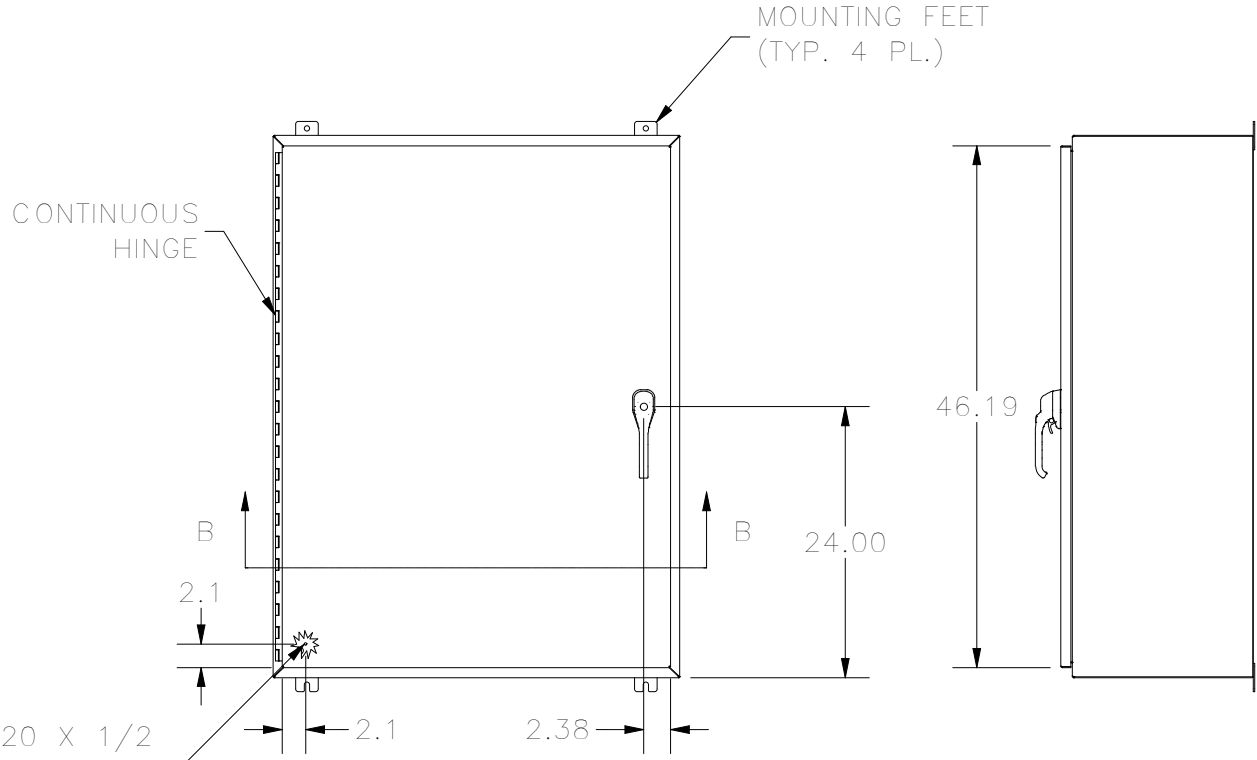


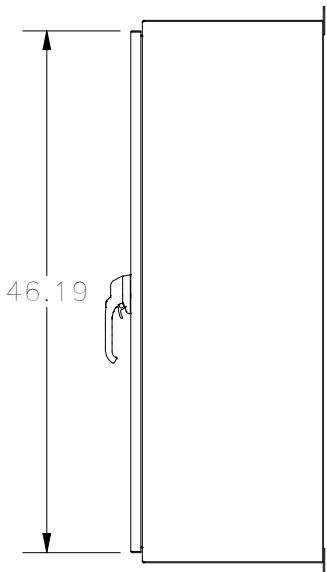
TOP VIEW



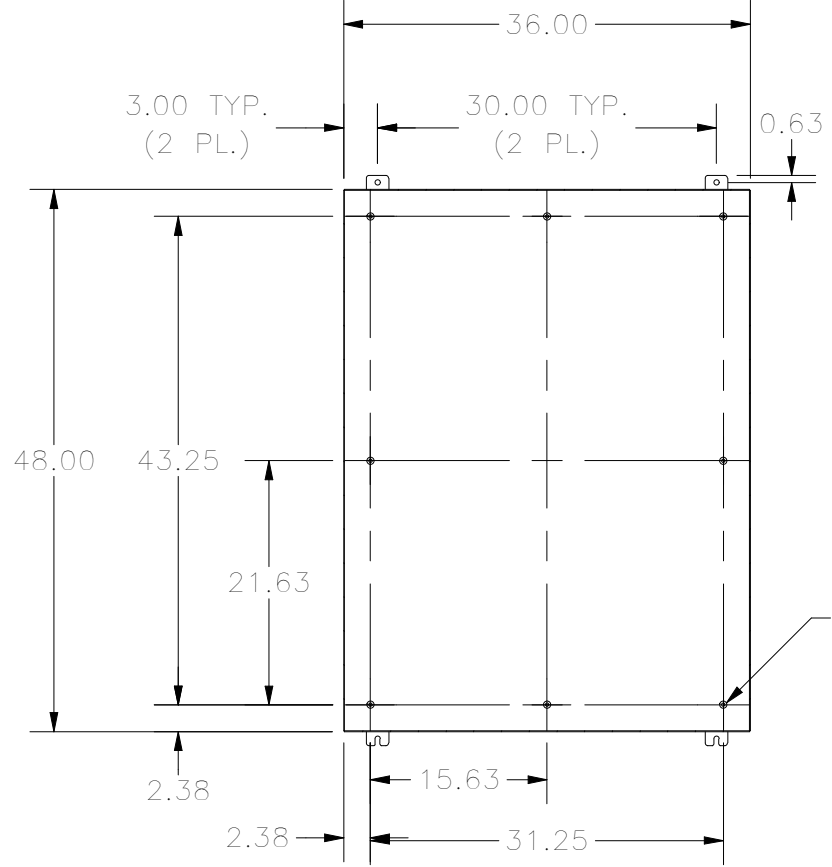
LEFT SIDE



FRONT VIEW



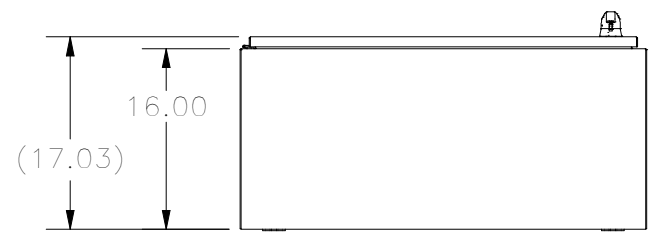
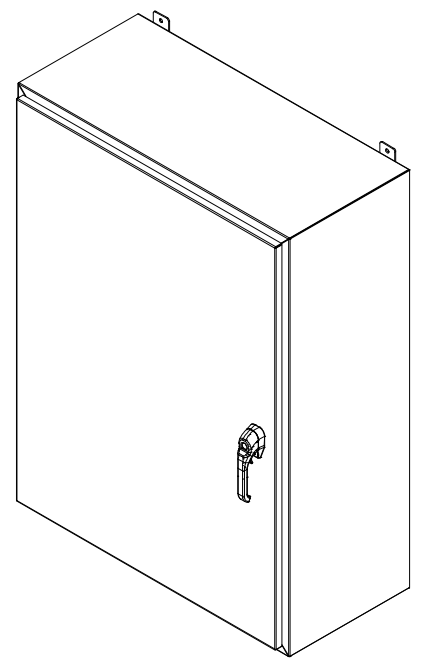
RIGHT SIDE



**SECTION A-A
(INSIDE BACK OF ENCLOSURE)**

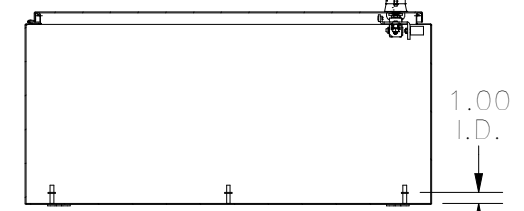
1/4-20 X 1/2
S.S. GROUND
STUD

3/8-16 X 5/8
COLLAR STUD
(8 PL.)



BOTTOM VIEW

**SECTION B-B
(INSIDE TOP OF ENCLOSURE)**



PART #:SSN44836163PTW
 (DATA SUBJECT TO CHANGE WITHOUT NOTICE)
 THIS DRAWING IS THE PROPERTY OF HUBBELL INC. WIEGMANN
 ALL INFORMATION IS PROPRIETARY AND NOT TO BE DUPLICATED