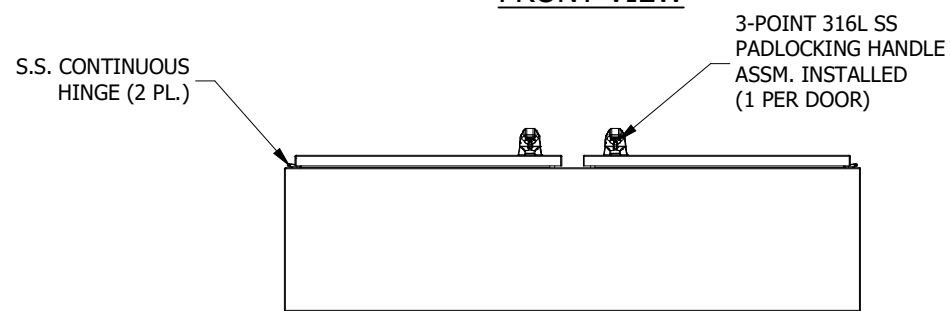


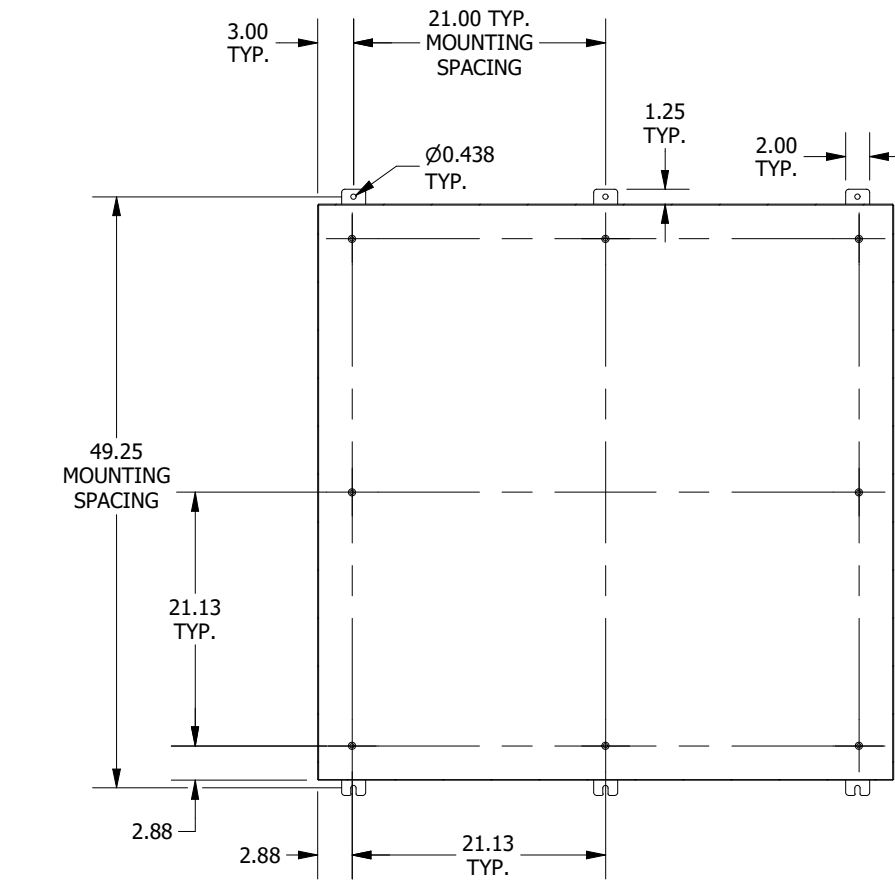
LEFT SIDE VIEW

FRONT VIEW

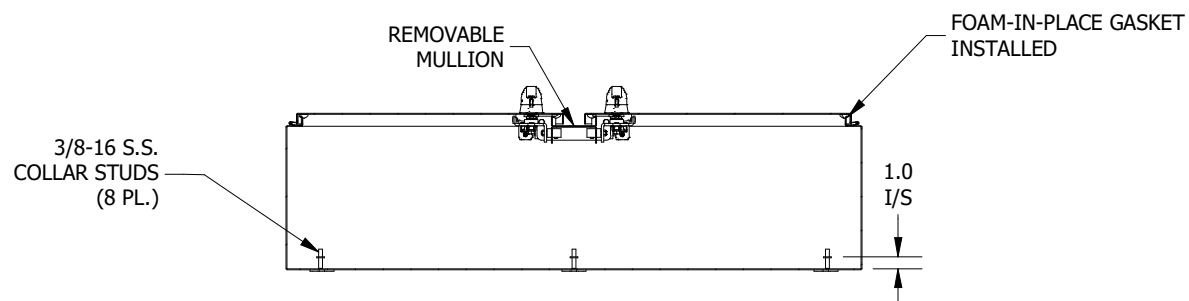
RIGHT SIDE VIEW



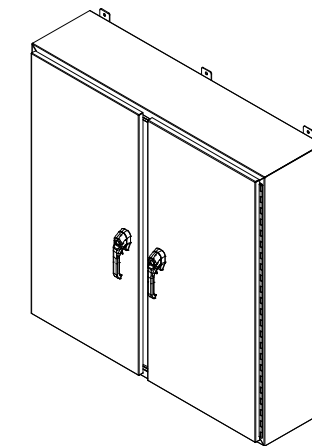
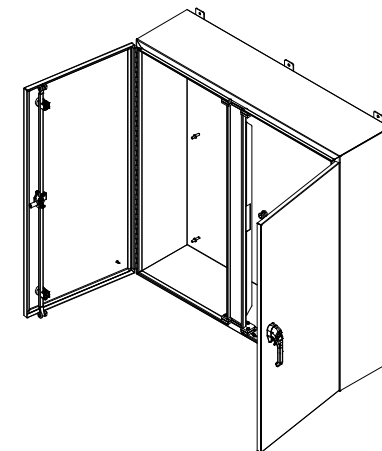
BOTTOM VIEW



SECTION A-A
(INSIDE BACK VIEW OF ENCL.)



SECTION B-B
(INSIDE VIEW OF TOP)



PART #:SSN4484812WF3PT
 (DATA SUBJECT TO CHANGE WITHOUT NOTICE)
 THIS DRAWING IS THE PROPERTY OF HUBBELL INC. WIEGMANN
 ALL INFORMATION IS PROPRIETARY AND NOT TO BE DUPLICATED