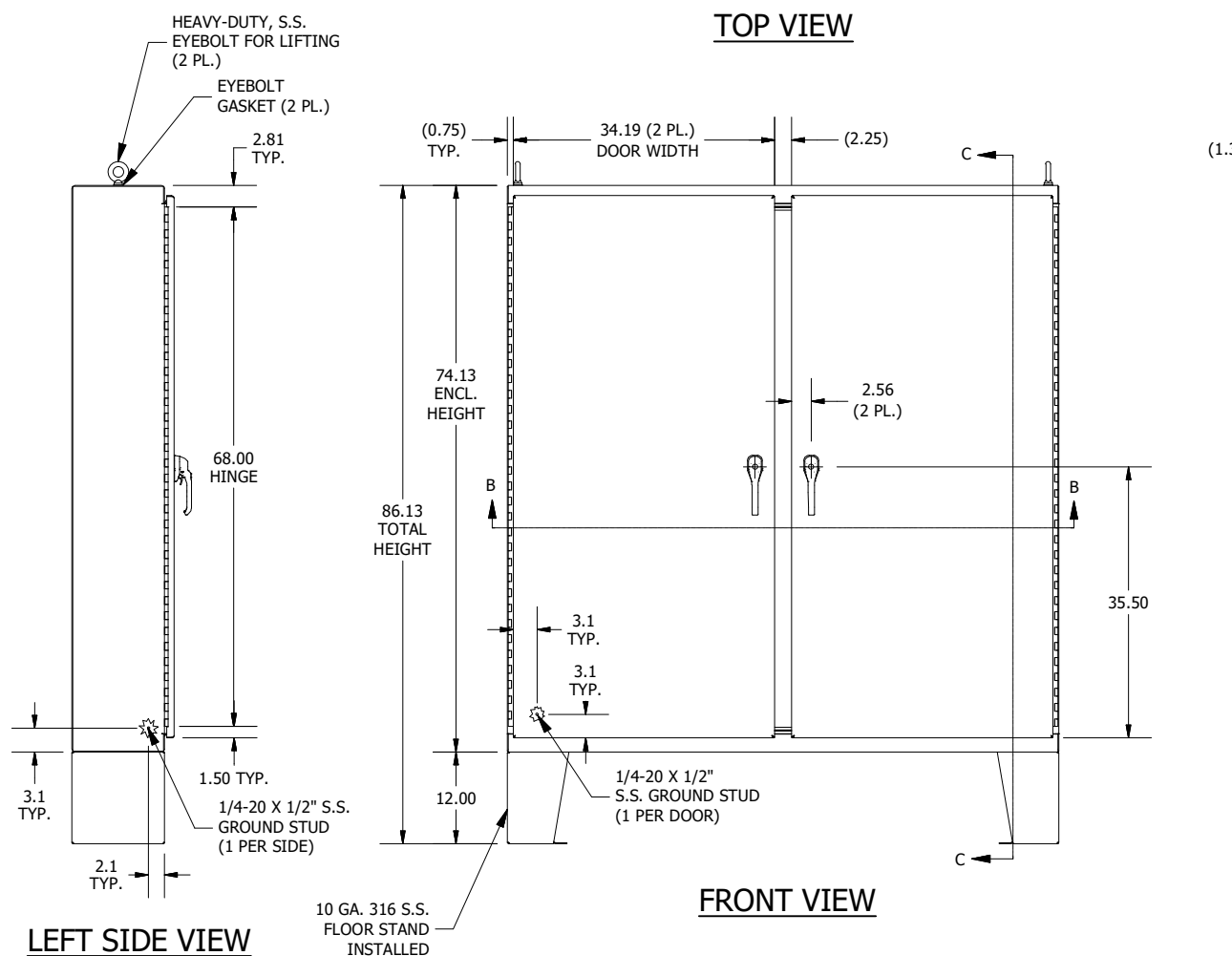
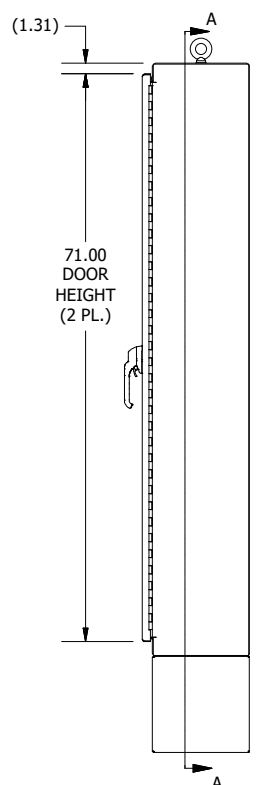


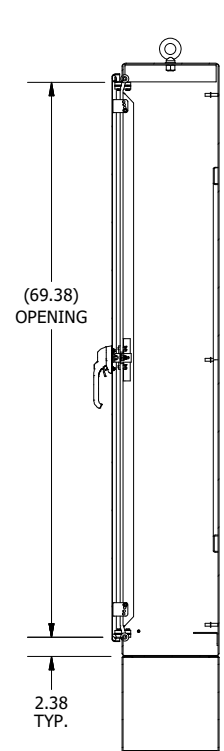
**TOP VIEW**



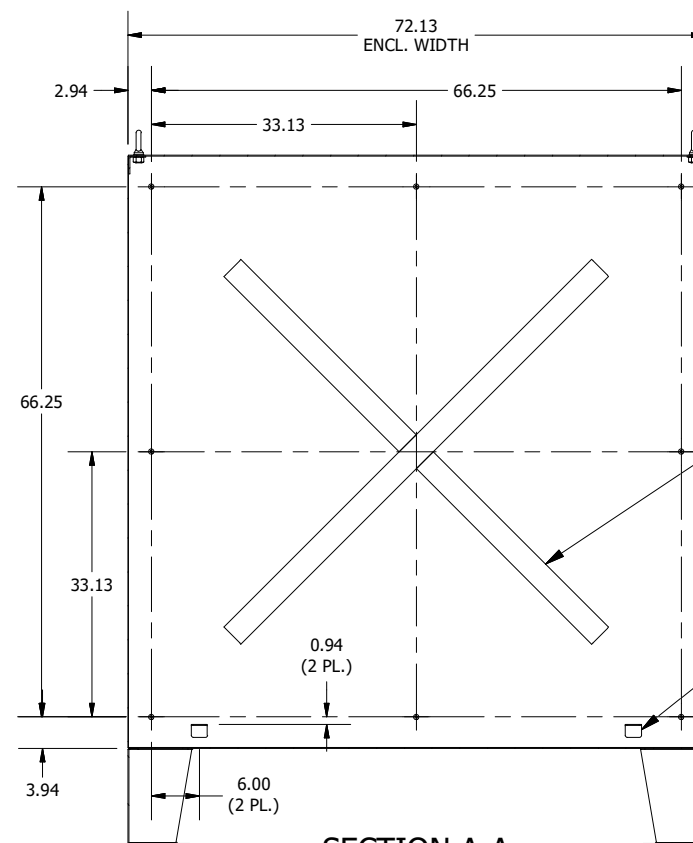
**FRONT VIEW**



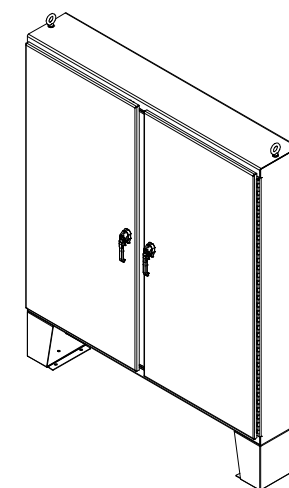
**RIGHT SIDE VIEW**



**SECTION C-C  
(INSIDE LEFT OF ENCL.)**

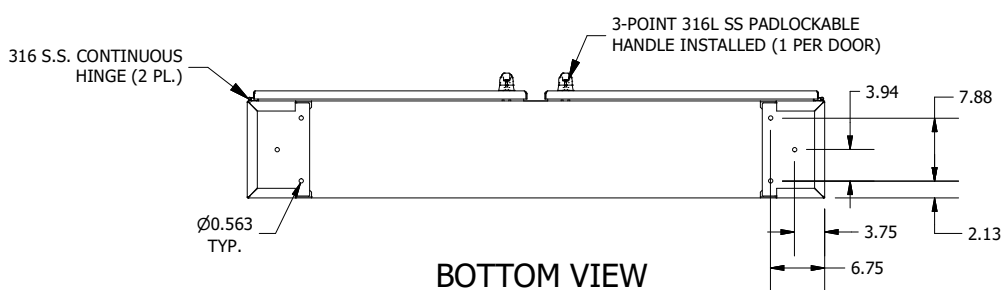


**SECTION A-A  
(INSIDE LEFT OF ENCL.)**

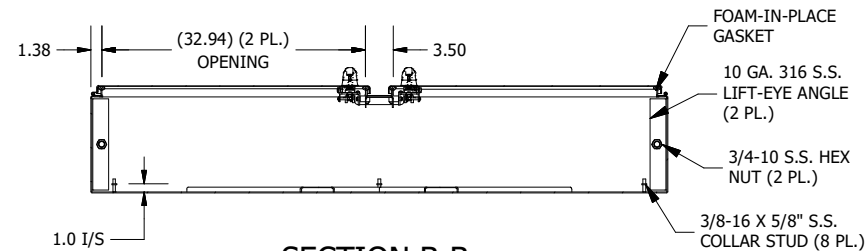


12 GA. S.S. CROSS STIFFENERS WELDED TO INSIDE BACK OF ENCL.

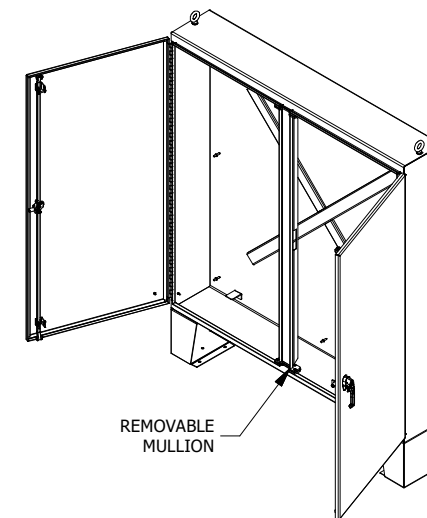
10 GA. S.S. PANEL SUPPORT BRACKET (2 PL.)



**BOTTOM VIEW**



**SECTION B-B  
(INSIDE TOP OF ENCL.)**



REMOVABLE MULLION

**PART #:SSN4D7472123PTA**  
**(DATA SUBJECT TO CHANGE WITHOUT NOTICE)**  
**THIS DRAWING IS THE PROPERTY OF HUBBELL INC. WIEGMANN**  
**ALL INFORMATION IS PROPRIETARY AND NOT TO BE DUPLICATED**