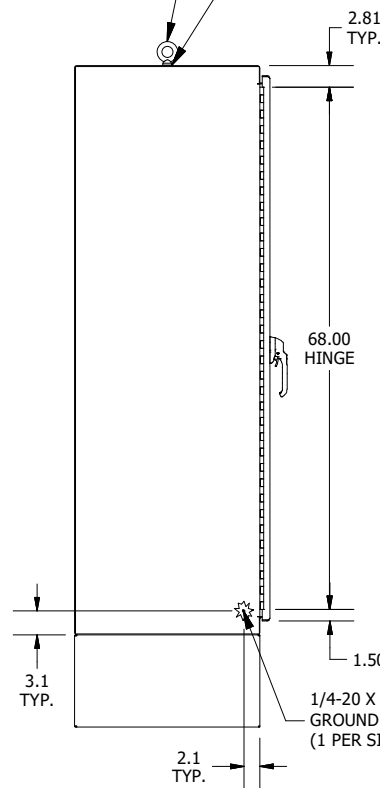
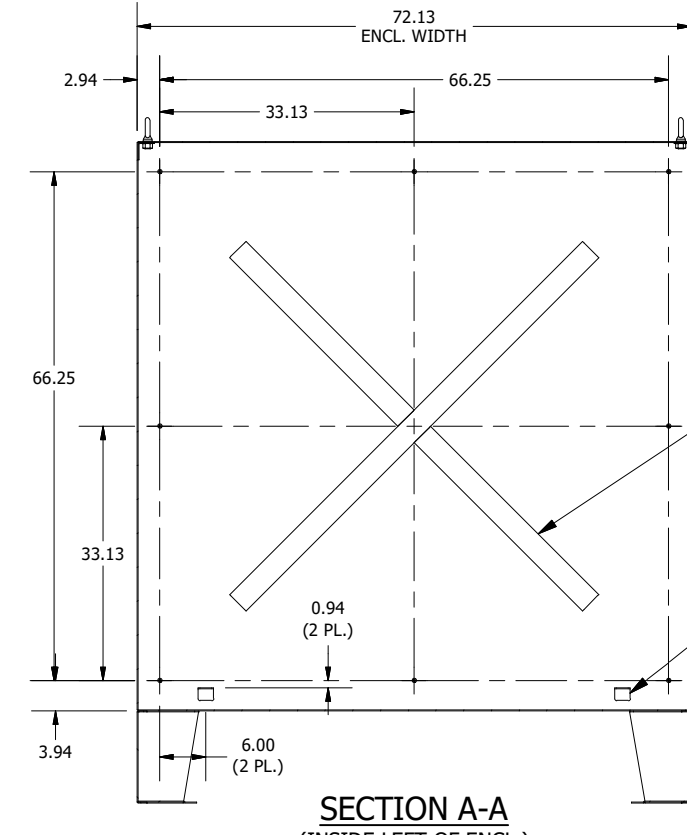
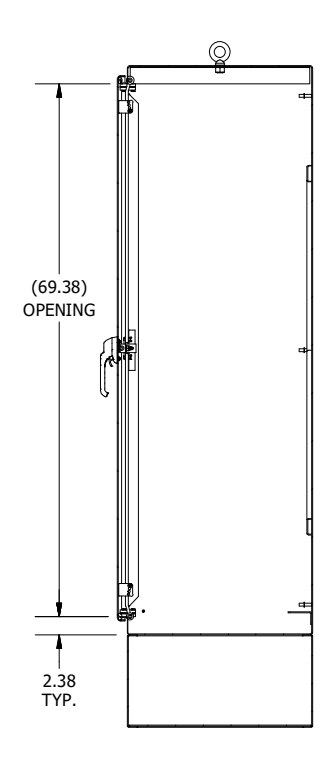
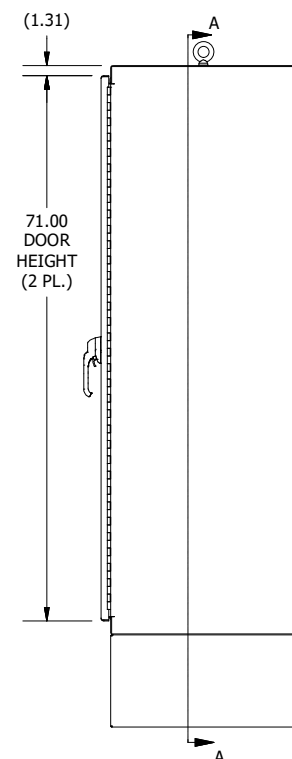
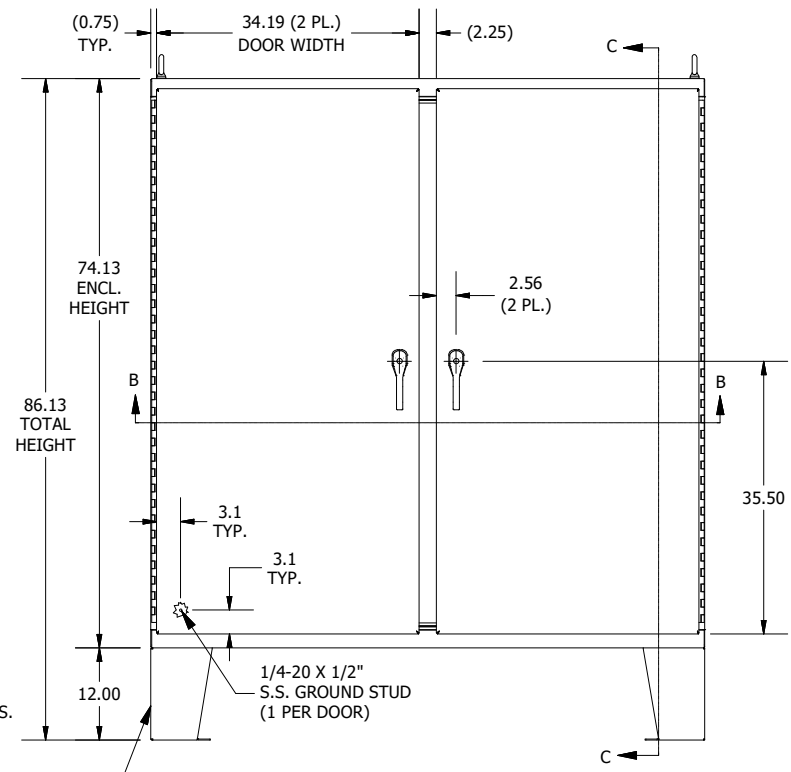


HEAVY-DUTY, S.S. EYEBOLT FOR LIFTING (2 PL.)

EYEBOLT GASKET (2 PL.)

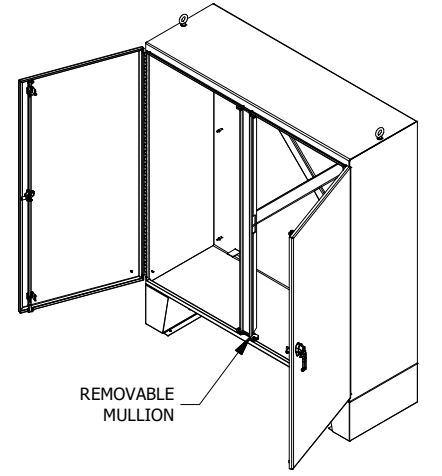
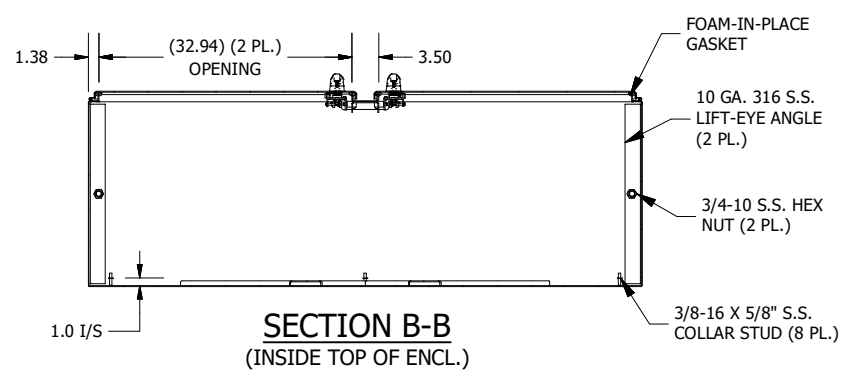
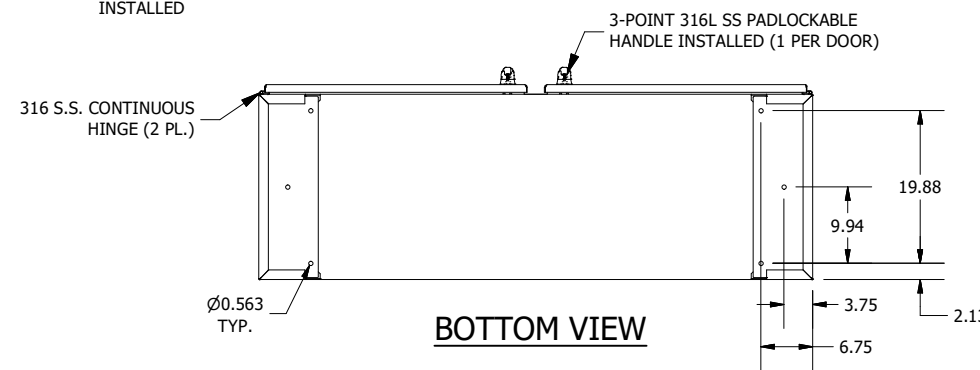
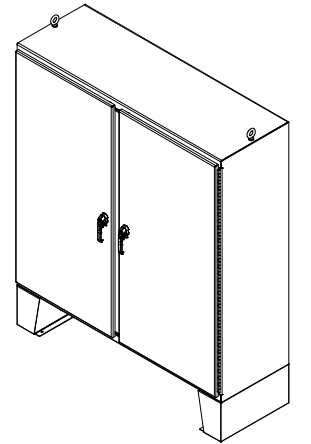


10 GA. 316 S.S. FLOOR STAND INSTALLED



12 GA. S.S. CROSS STIFFENERS WELDED TO INSIDE BACK OF ENCL.

10 GA. S.S. PANEL SUPPORT BRACKET (2 PL.)



PART #:SSN4D7472243PTA
 (DATA SUBJECT TO CHANGE WITHOUT NOTICE)
 THIS DRAWING IS THE PROPERTY OF HUBBELL INC. WIEGMANN
 ALL INFORMATION IS PROPRIETARY AND NOT TO BE DUPLICATED