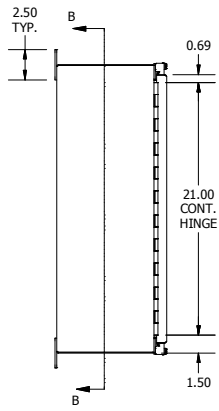
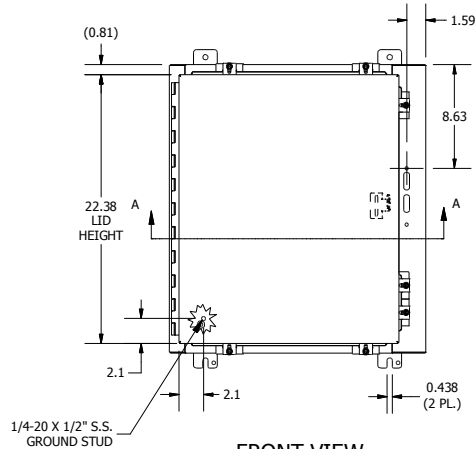


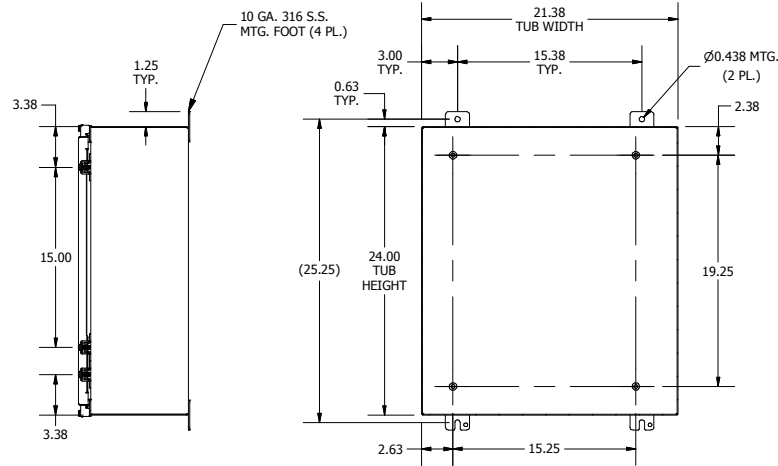
TOP VIEW



LEFT VIEW

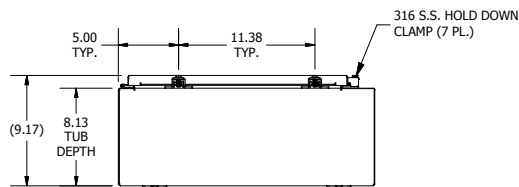
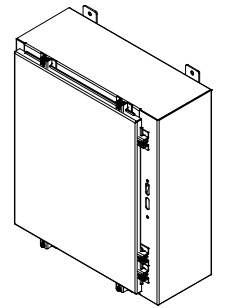
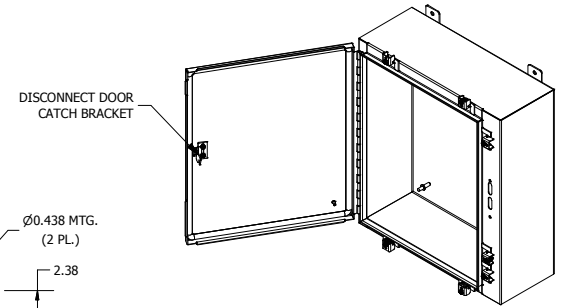


FRONT VIEW

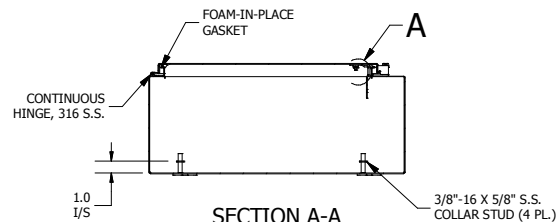


RIGHT VIEW

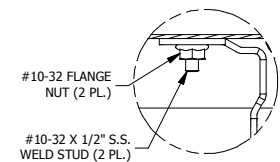
SECTION B-B
(INSIDE BACK OF ENCLOSURE)



BOTTOM VIEW



SECTION A-A
(INSIDE TOP OF ENCLOSURE)



DETAIL A
(DISC. BRKT. INSTALL DETAIL)

PART#: HWDSSN4X242108A
(DATA SUBJECT TO CHANGE WITHOUT NOTICE)

THIS DRAWING IS PROPERTY OF HUBBELL INC. WIEGMANN
ALL INFORMATION IS PROPRIETARY AND NOT TO BE DUPLICATED