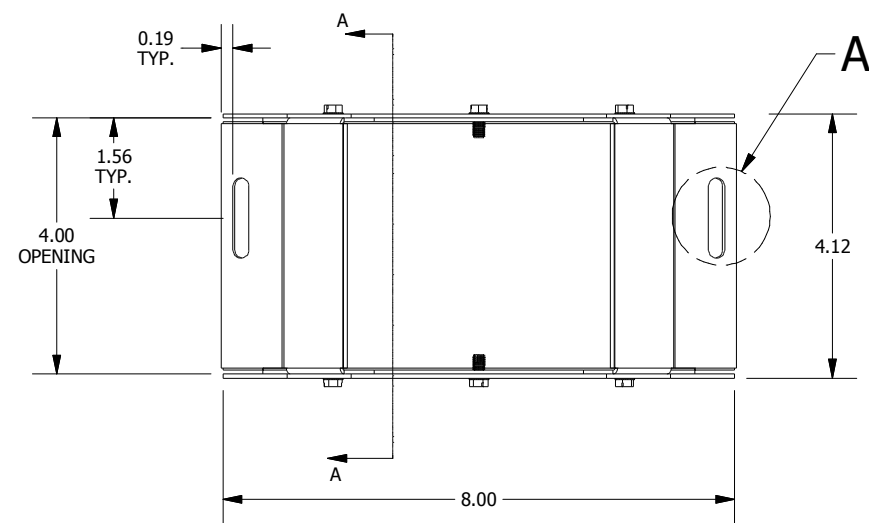
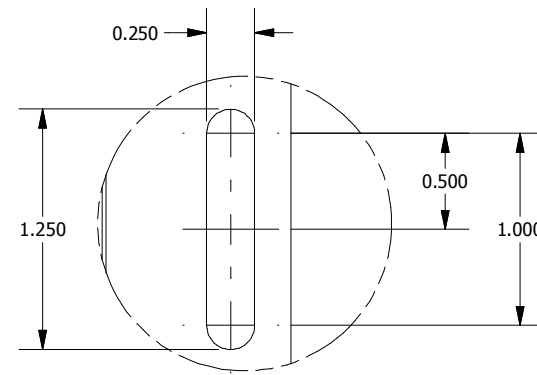


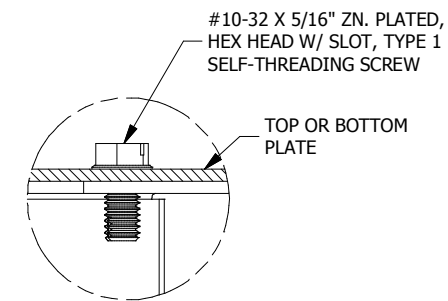
**TOP VIEW**



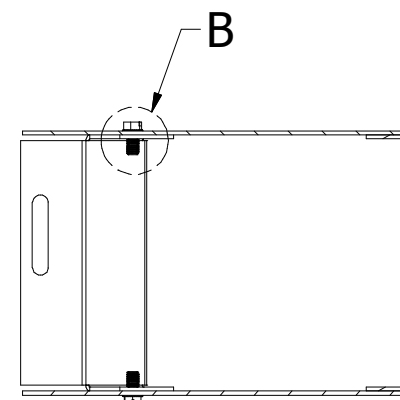
**FRONT VIEW**



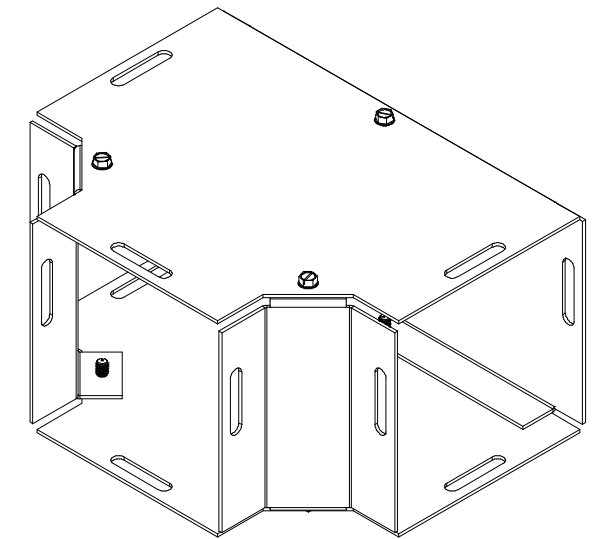
**DETAIL A (12 PL.)  
(SLOT DETAIL)**



**DETAIL B (6 PL.)  
(ASSM. DETAIL)**



**SECTION A-A  
(INSIDE VIEW OF SIDE)**



PART#: T0404G  
(DATA SUBJECT TO CHANGE WITHOUT NOTICE)

THIS DRAWING IS PROPERTY OF HUBBELL INC. WIEGMANN  
ALL INFORMATION IS PROPRIETARY AND NOT TO BE DUPLICATED