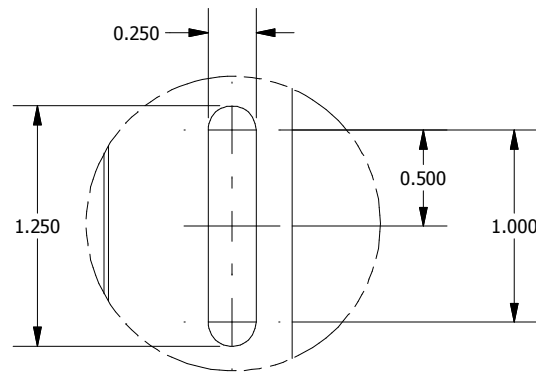
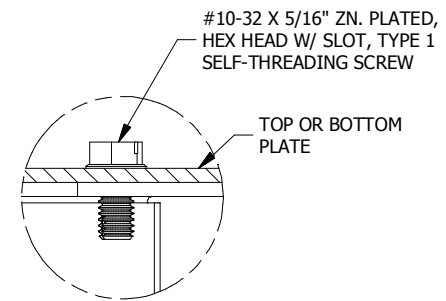


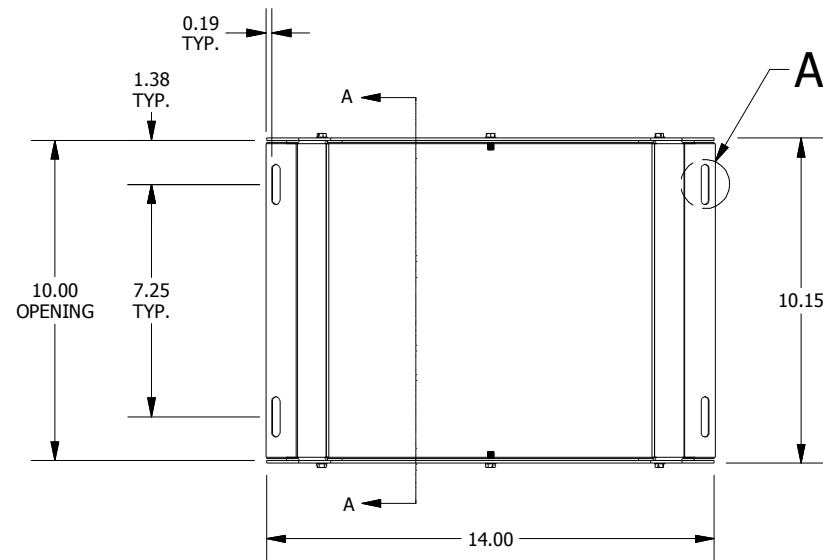
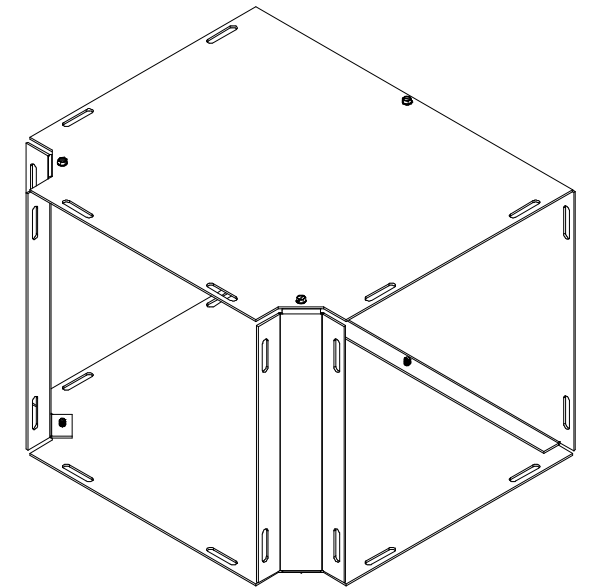
TOP VIEW



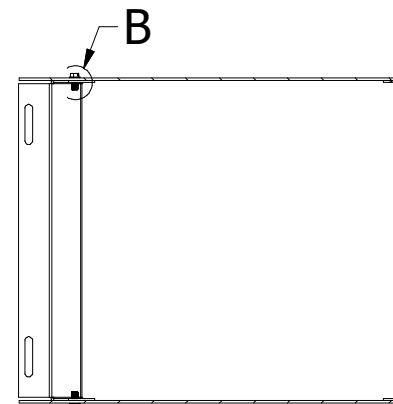
**DETAIL A (24 PL.)
(SLOT DETAIL)**



**DETAIL B (6 PL.)
(ASSM. DETAIL)**



FRONT VIEW



**SECTION A-A
(INSIDE VIEW OF SIDE)**

PART#: T1010G
(DATA SUBJECT TO CHANGE WITHOUT NOTICE)

THIS DRAWING IS PROPERTY OF HUBBELL INC. WIEGMANN
ALL INFORMATION IS PROPRIETARY AND NOT TO BE DUPLICATED