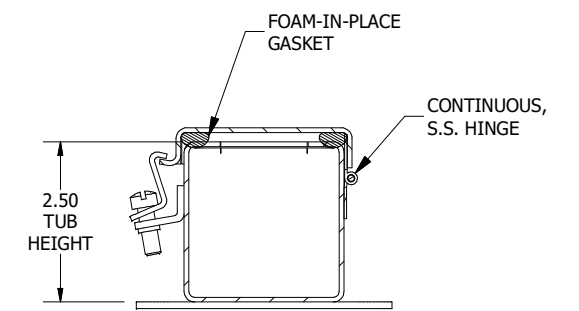
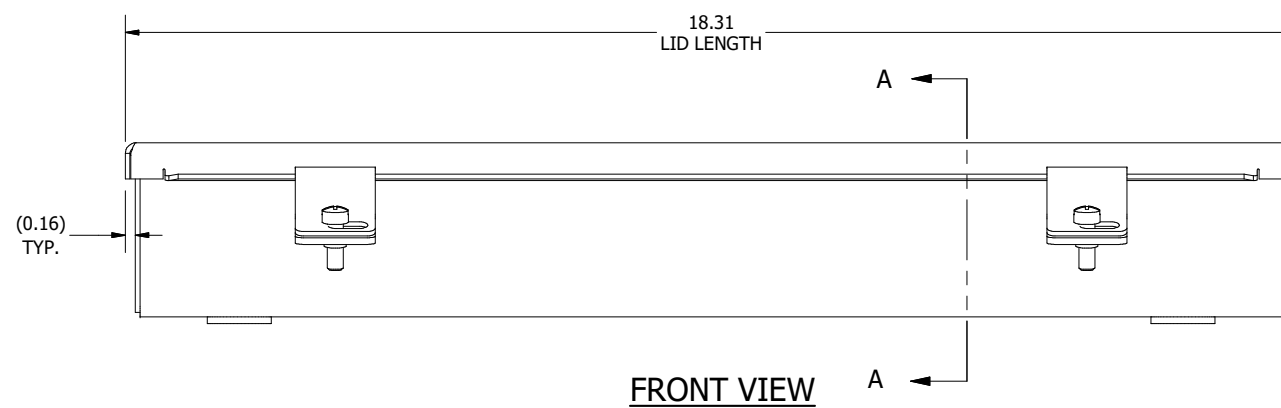
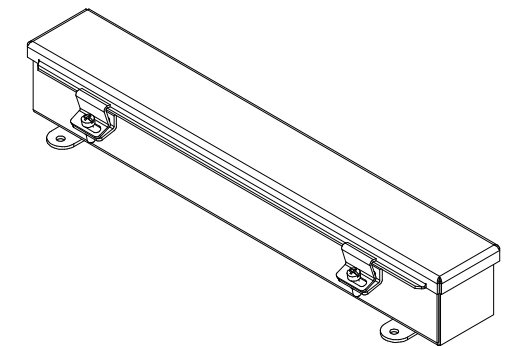
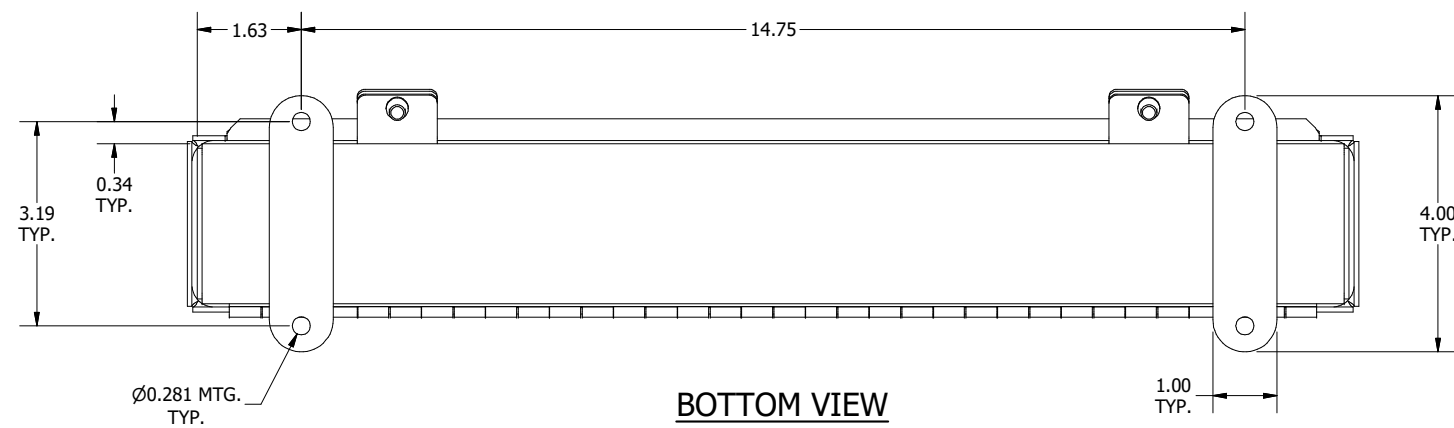


LEFT SIDE VIEW



SECTION A-A
(INSIDE LEFT OF ENCL.)



PART#: T2218CHSS
(DATA SUBJECT TO CHANGE WITHOUT NOTICE)

THIS DRAWING IS PROPERTY OF HUBBELL INC. WIEGMANN
ALL INFORMATION IS PROPRIETARY AND NOT TO BE DUPLICATED