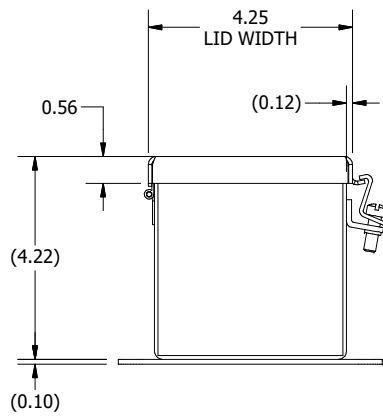
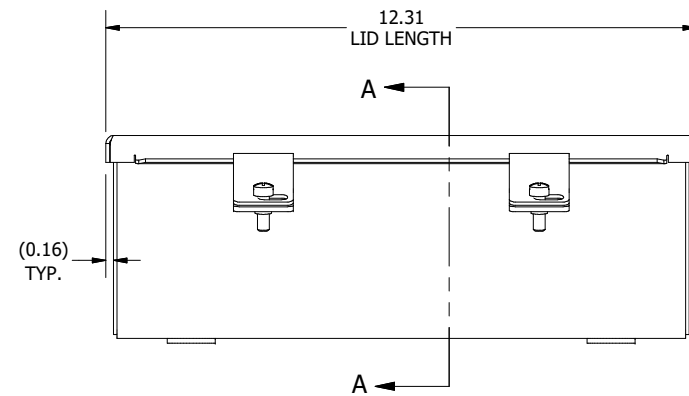


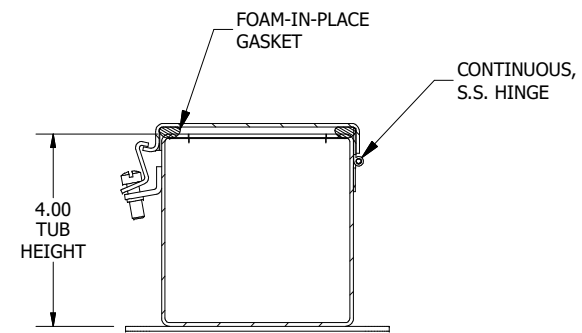
**TOP VIEW  
(LID REMOVED)**



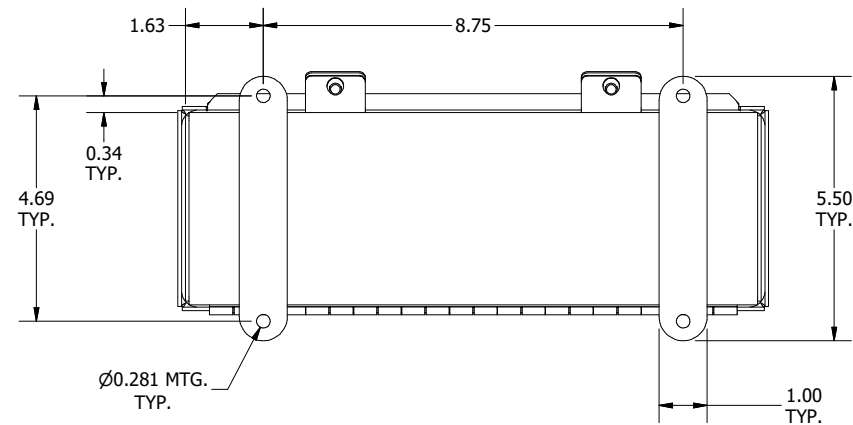
**LEFT SIDE VIEW**



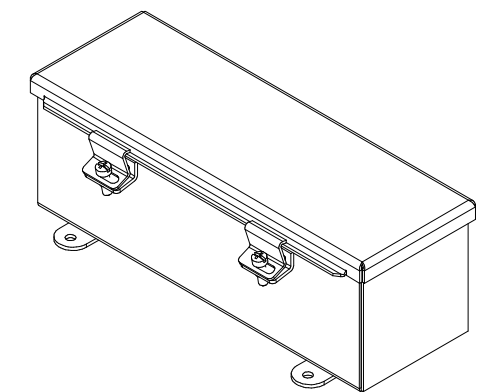
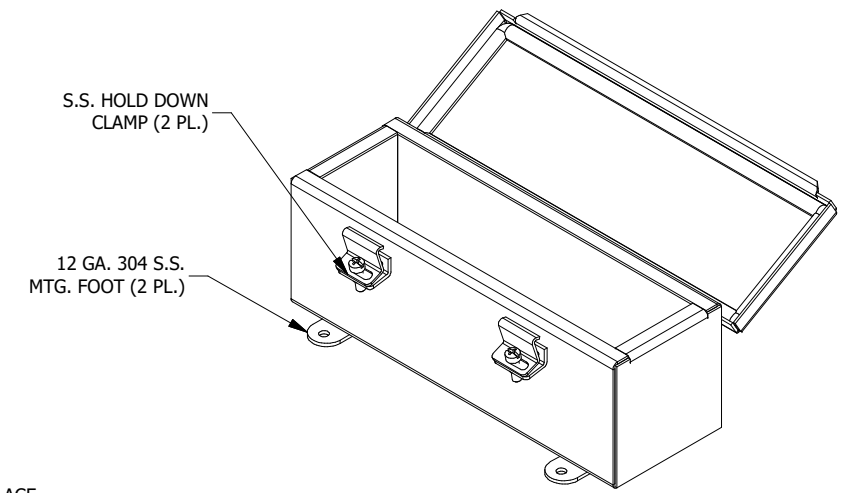
**FRONT VIEW**



**SECTION A-A  
(INSIDE LEFT OF ENCL.)**



**BOTTOM VIEW**



**PART#: T4412CHSS  
(DATA SUBJECT TO CHANGE WITHOUT NOTICE)**