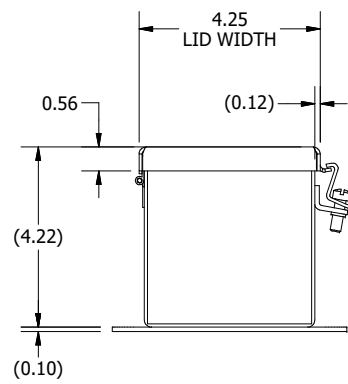
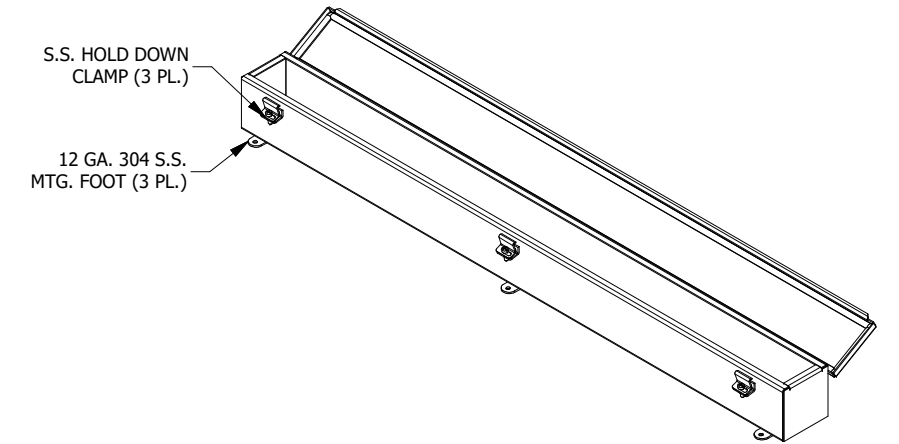
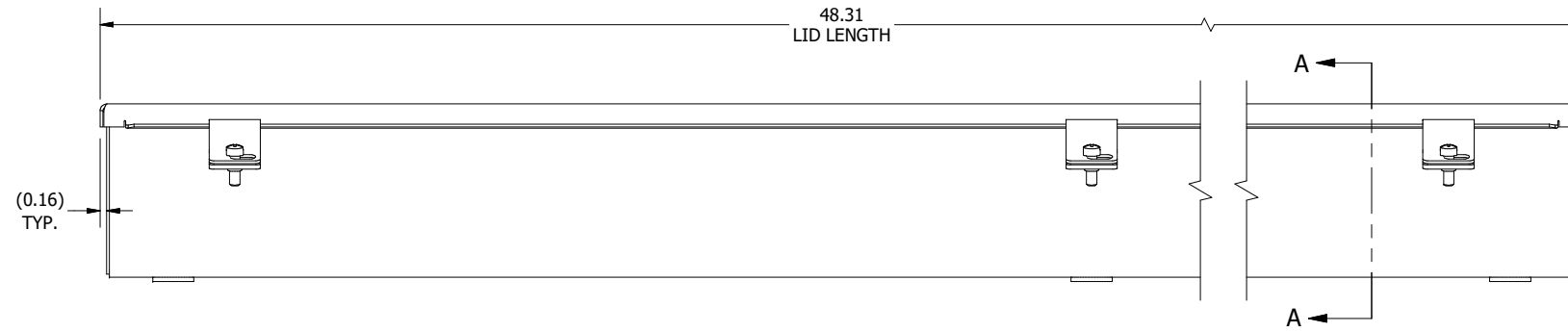


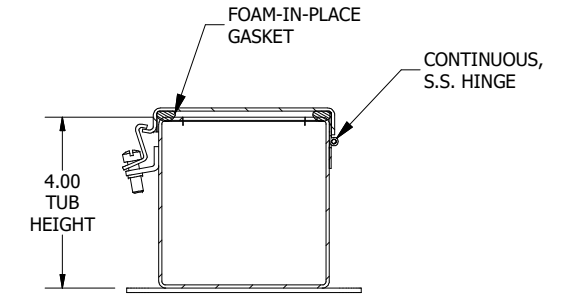
TOP VIEW
(LID REMOVED)



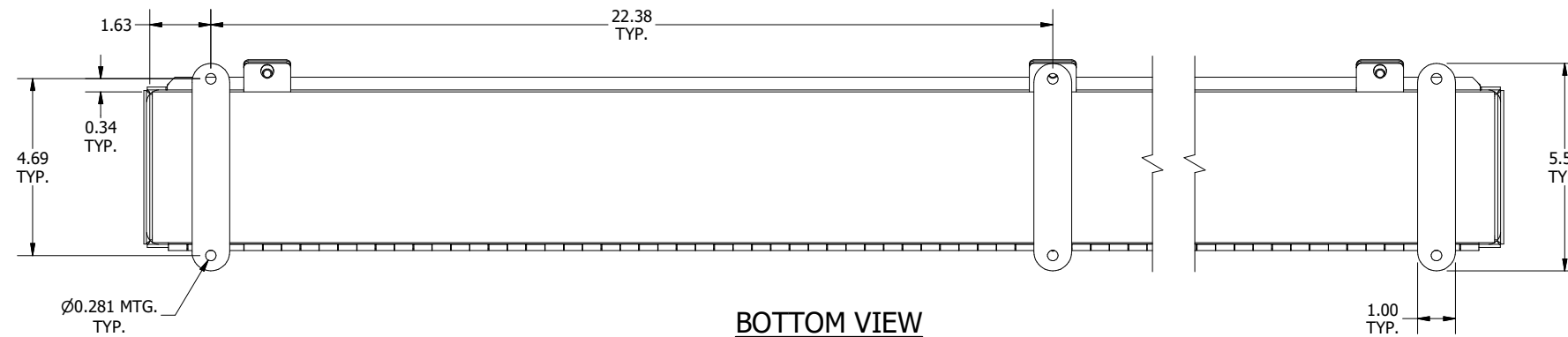
LEFT SIDE VIEW



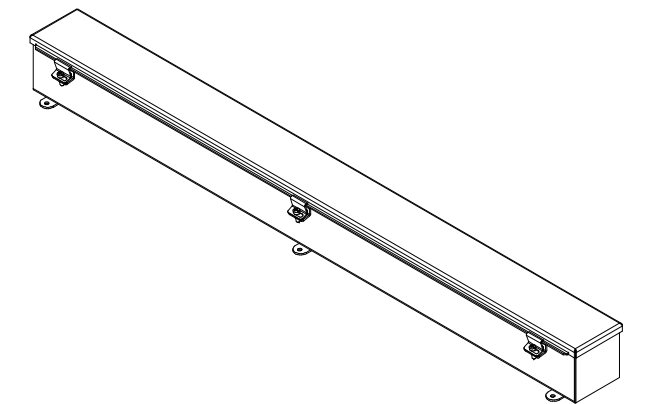
FRONT VIEW



SECTION A-A
(INSIDE LEFT OF ENCL.)



BOTTOM VIEW



PART#: T4448CHSS
(DATA SUBJECT TO CHANGE WITHOUT NOTICE)