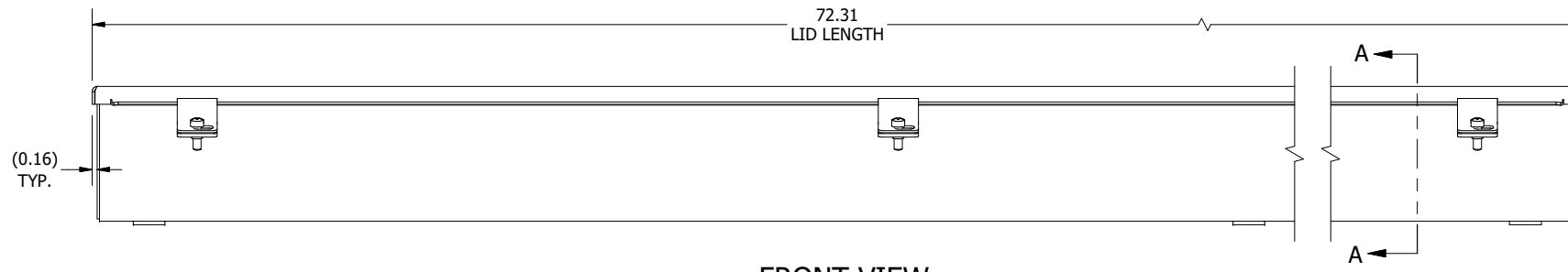
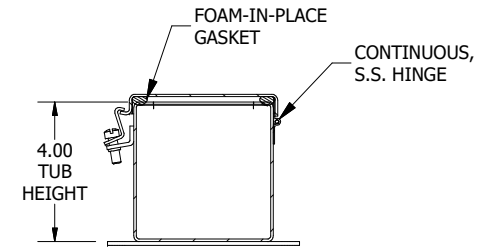


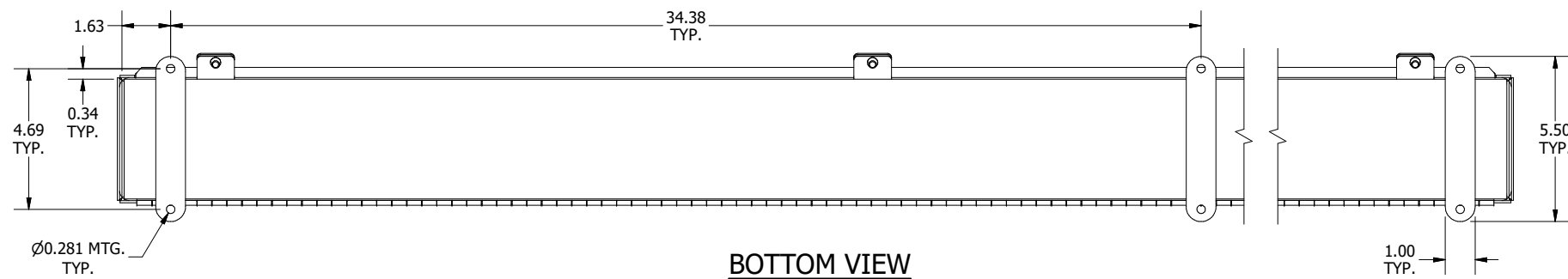
LEFT SIDE VIEW



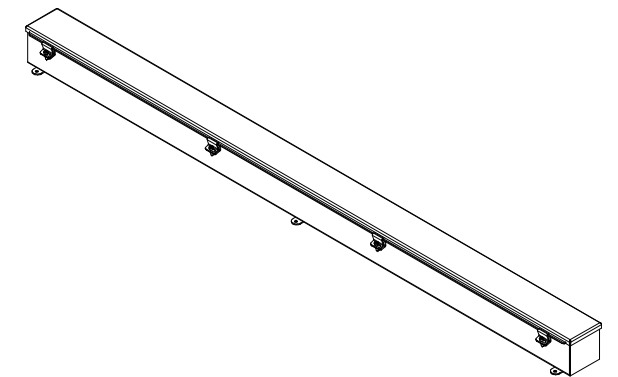
FRONT VIEW



**SECTION A-A
(INSIDE LEFT OF ENCL.)**



BOTTOM VIEW



**PART#: T4472CHSS
 (DATA SUBJECT TO CHANGE WITHOUT NOTICE)**

THIS DRAWING IS PROPERTY OF HUBBELL INC. WIEGMANN
 ALL INFORMATION IS PROPRIETARY AND NOT TO BE DUPLICATED