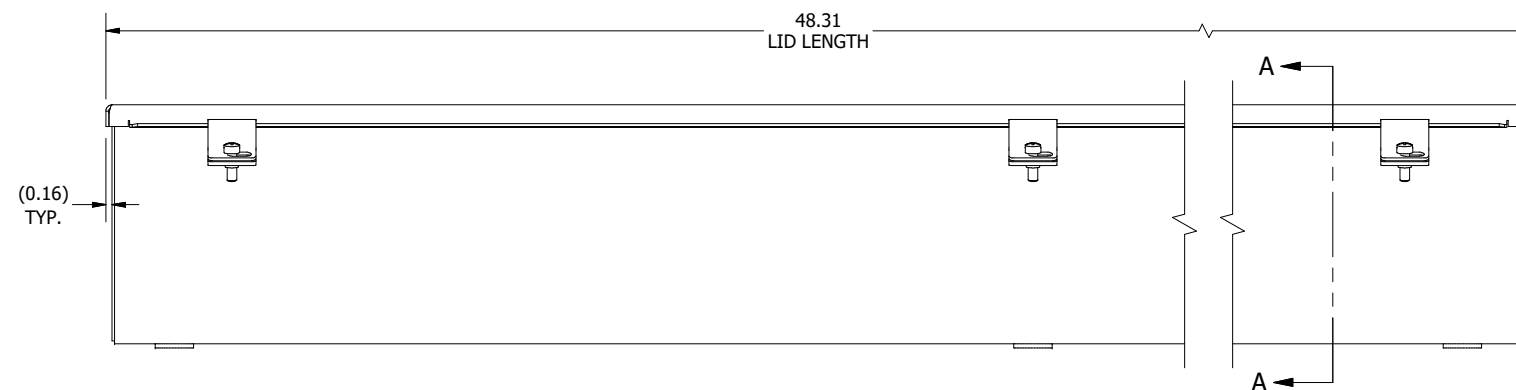
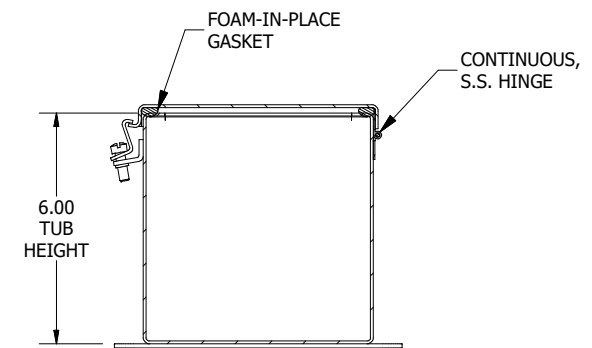


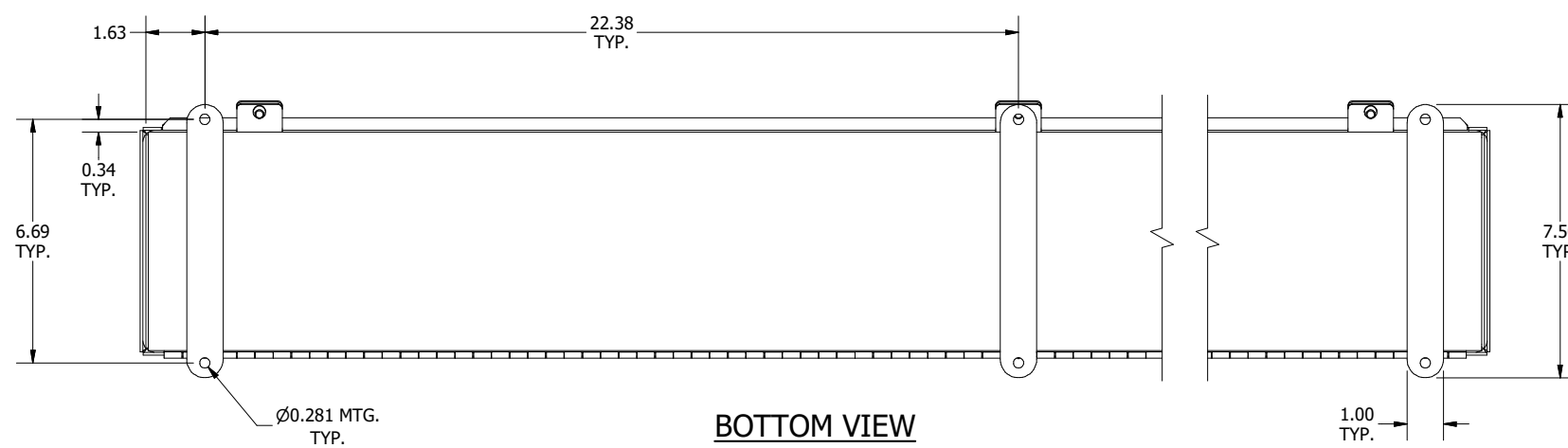
**LEFT SIDE VIEW**



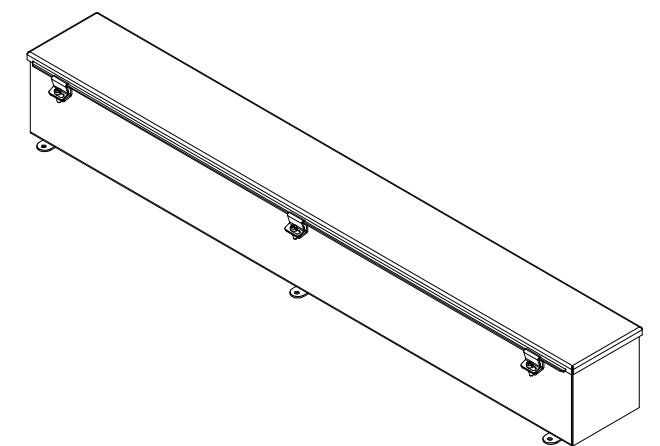
**FRONT VIEW**



**SECTION A-A  
 (INSIDE LEFT OF ENCL.)**



**BOTTOM VIEW**



**PART#: T6648CHSS  
 (DATA SUBJECT TO CHANGE WITHOUT NOTICE)**

THIS DRAWING IS PROPERTY OF HUBBELL INC. WIEGMANN  
 ALL INFORMATION IS PROPRIETARY AND NOT TO BE DUPLICATED