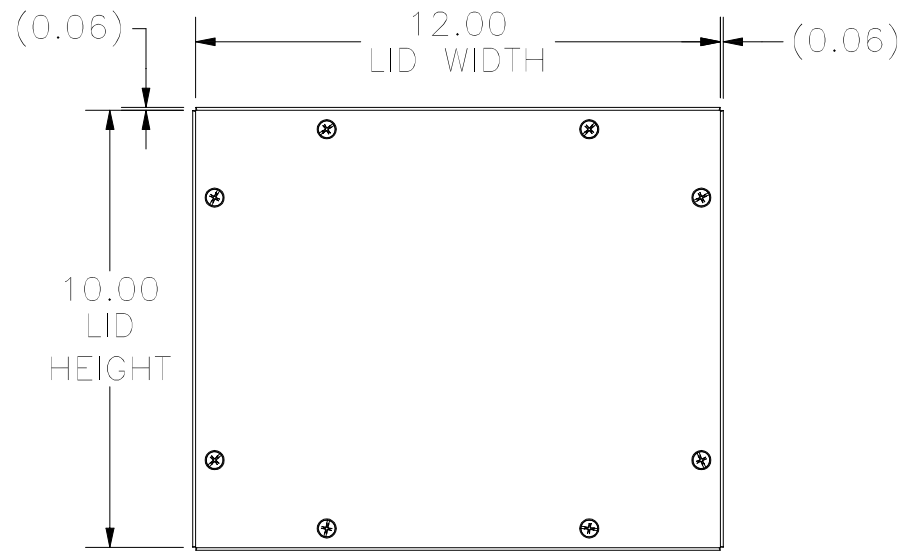
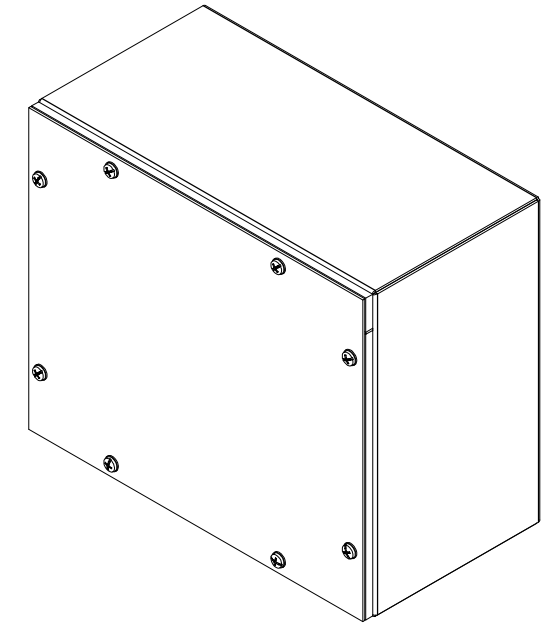
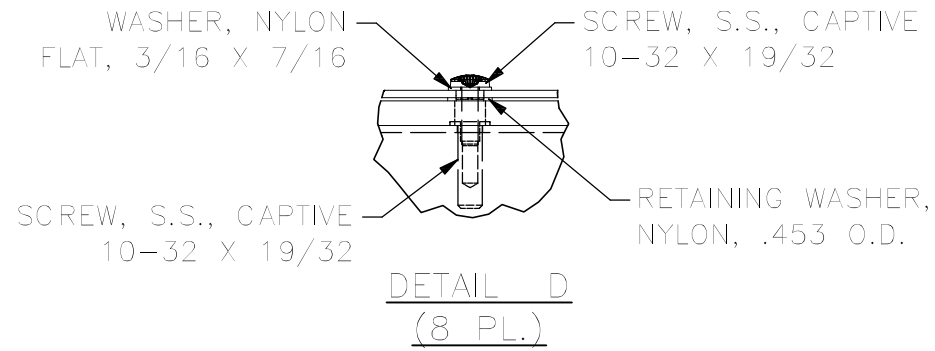
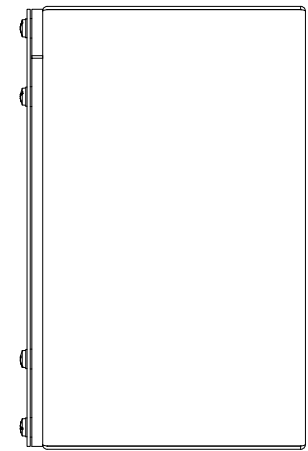


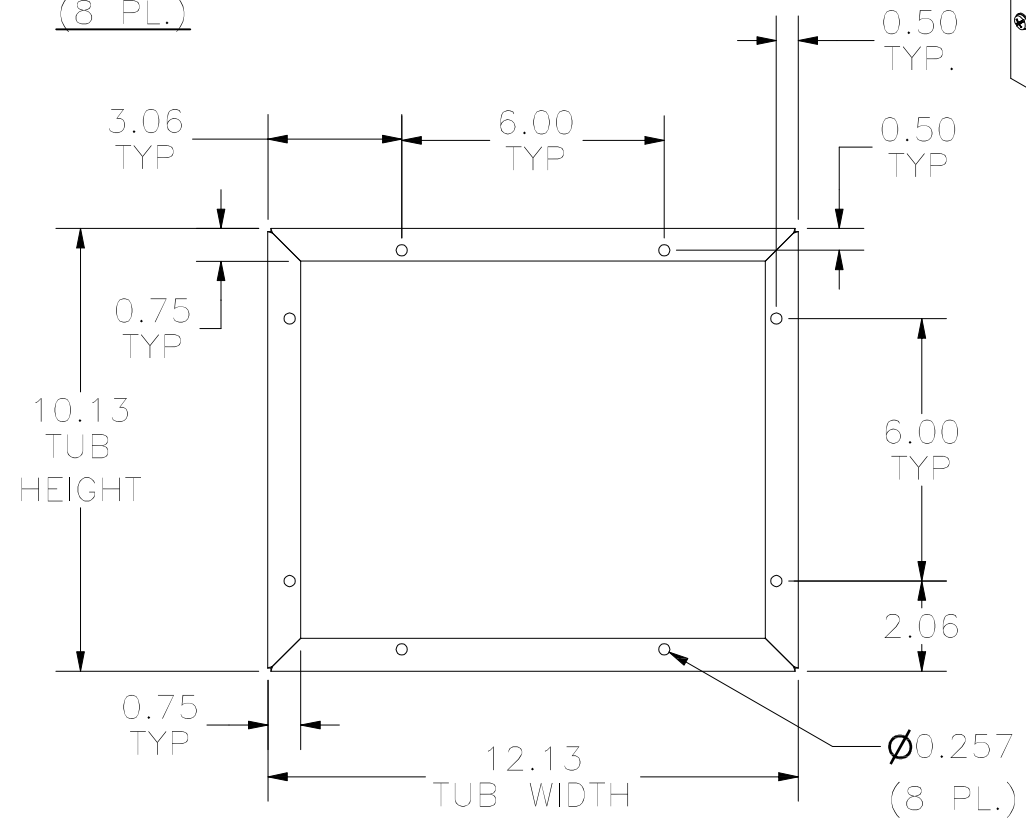
TOP VIEW



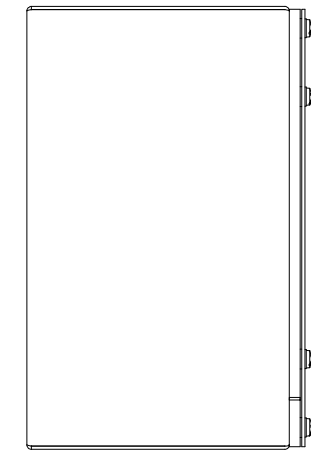
FRONT VIEW



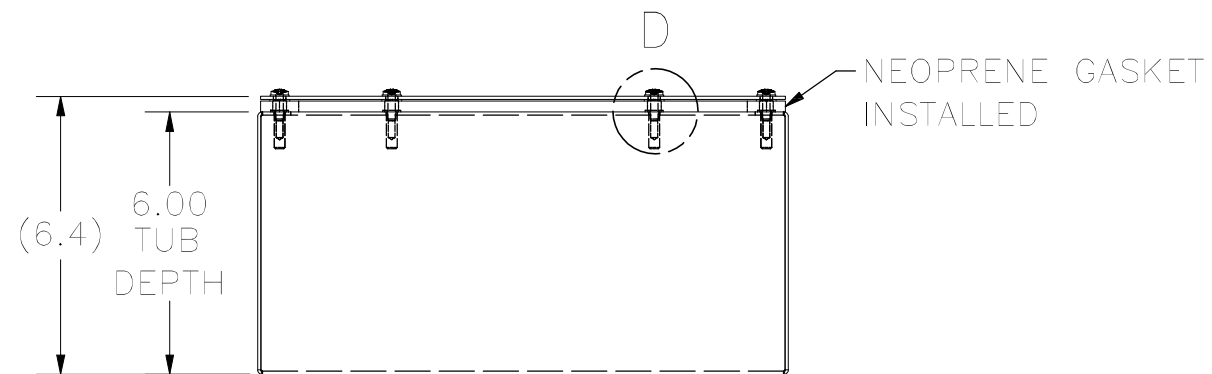
RIGHT SIDE VIEW



FRONT VIEW TUB



LEFT SIDE VIEW



BOTTOM VIEW

PART#: WA101206GSC
(DATA SUBJECT TO CHANGE WITHOUT NOTICE)

THIS DRAWING IS PROPERTY OF HUBBELL INC. WIEGMANN
ALL INFORMATION IS PROPRIETARY AND NOT TO BE DUPLICATED