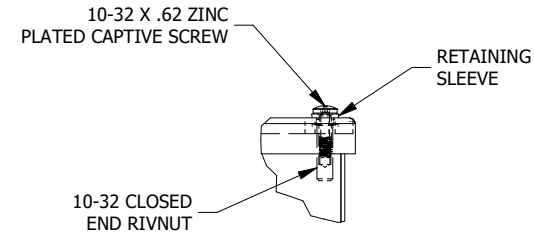
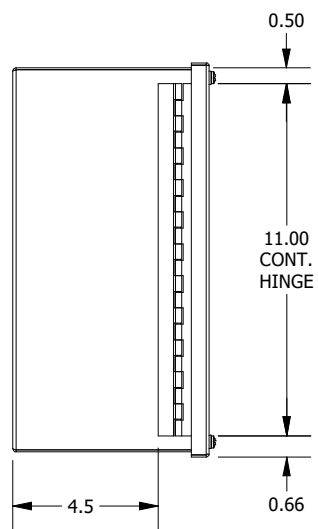


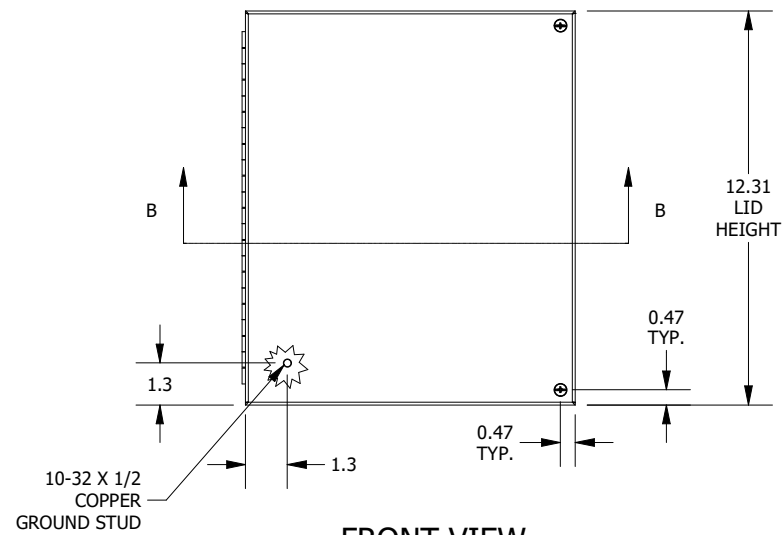
TOP VIEW



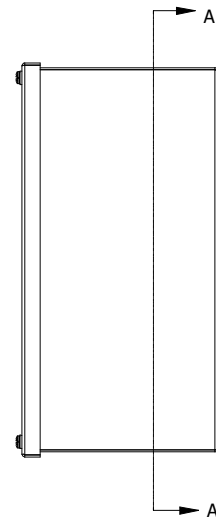
DETAIL N
(2 PL.)



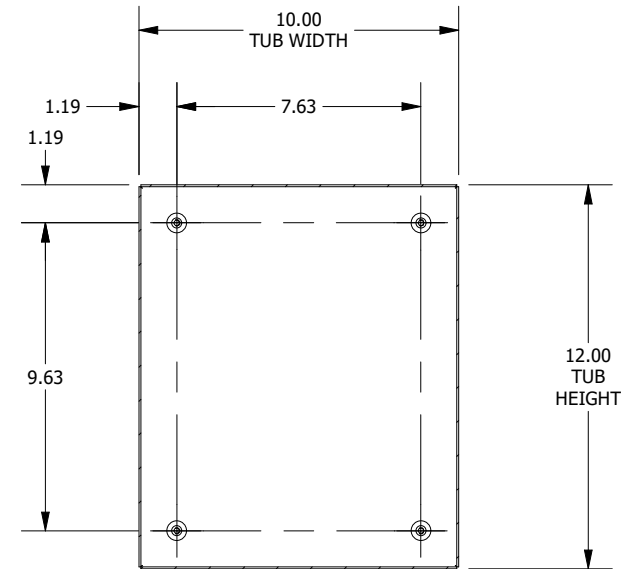
LEFT SIDE VIEW



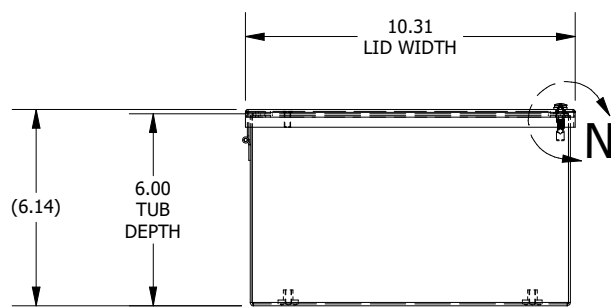
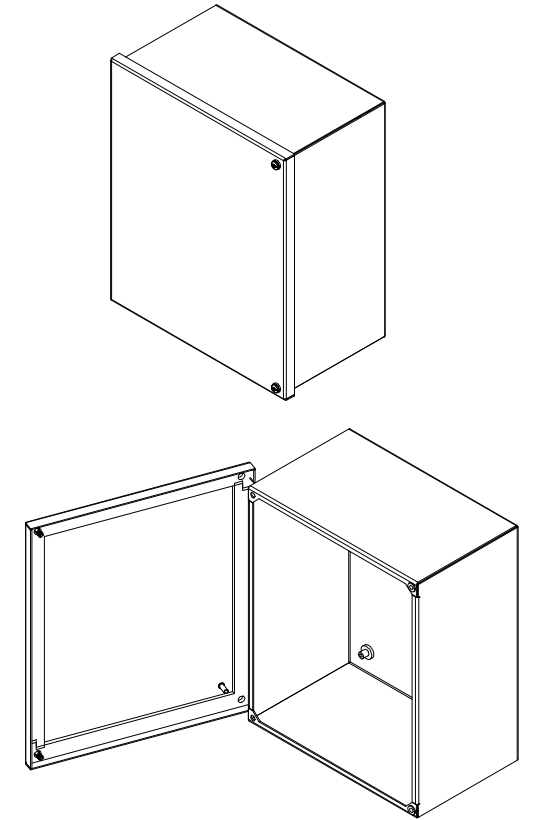
FRONT VIEW



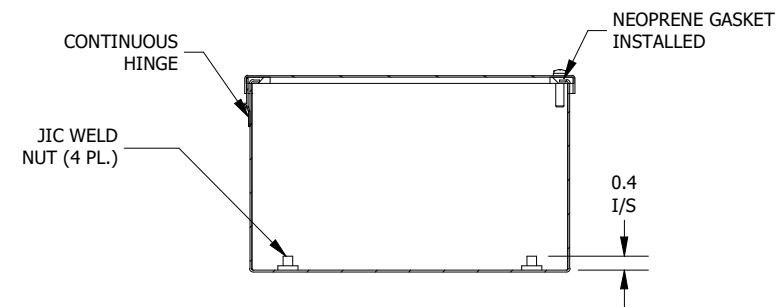
RIGHT SIDE VIEW



SECTION A-A VIEW
(INSIDE BACK OF ENCL.)



BOTTOM VIEW



SECTION B-B VIEW
(INSIDE TOP OF ENCL.)

PART #:WA121006GIE

(DATA SUBJECT TO CHANGE WITHOUT NOTICE)

THIS DRAWING IS THE PROPERTY OF HUBBELL INC. WIEGMANN

ALL INFORMATION IS PROPRIETARY AND NOT TO BE DUPLICATED