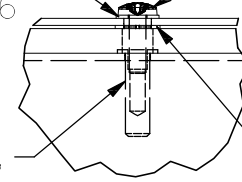
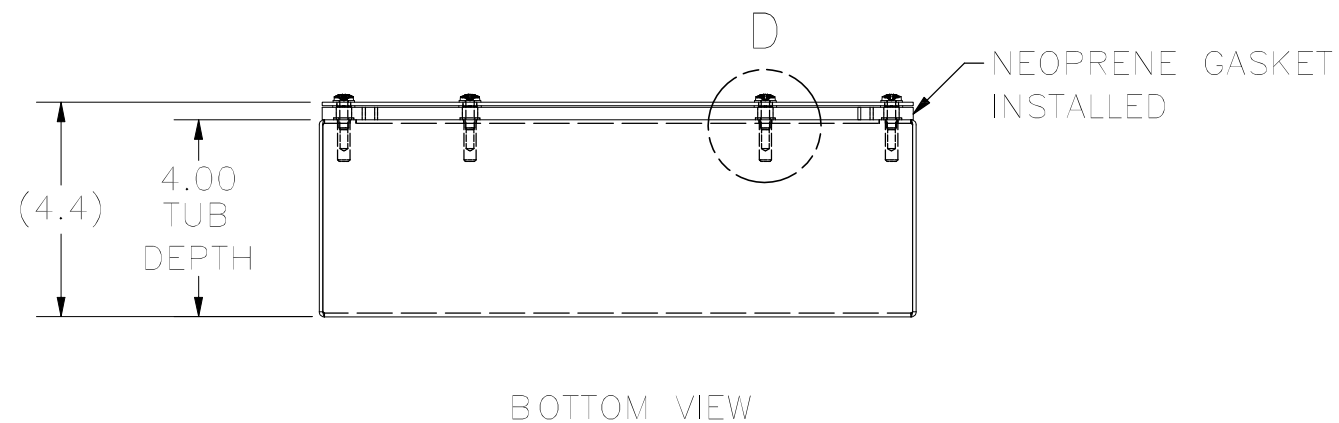
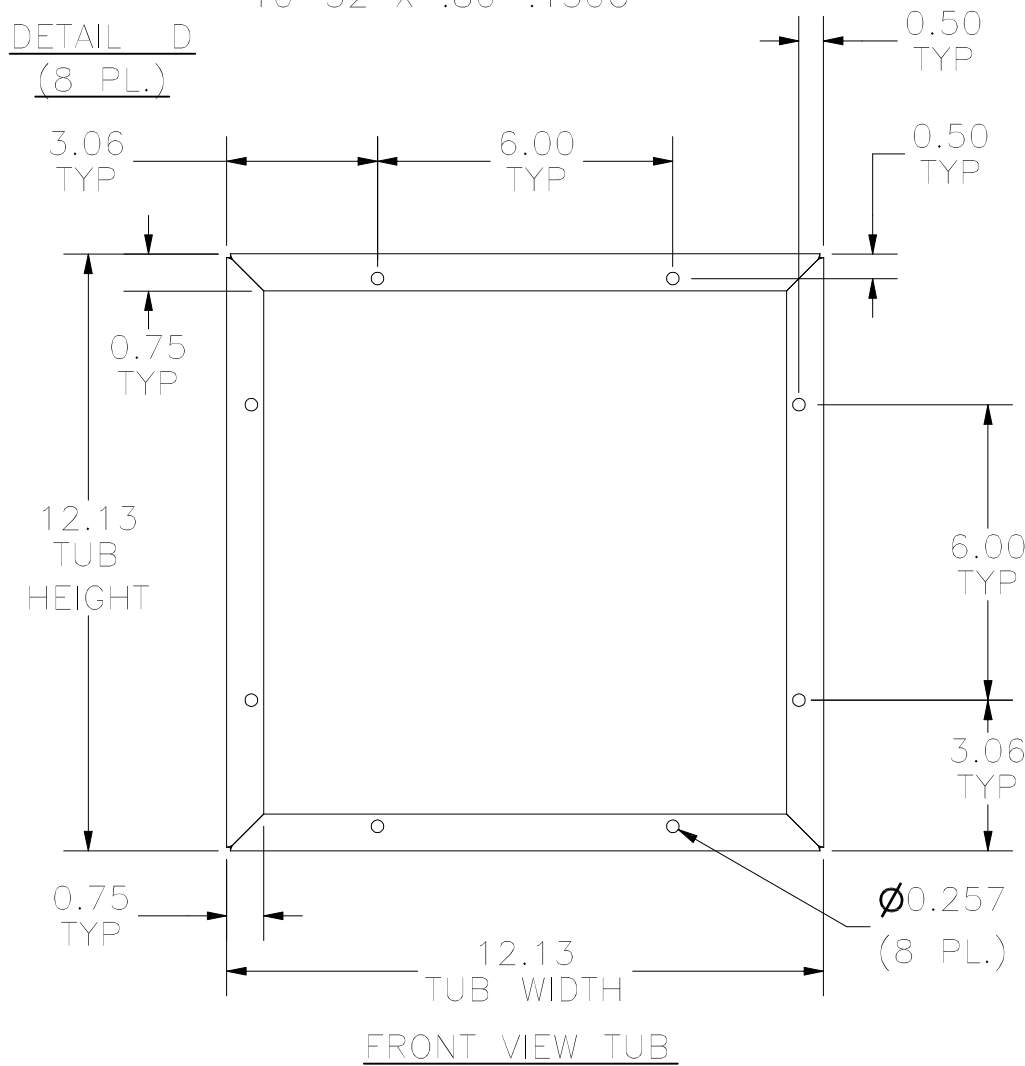
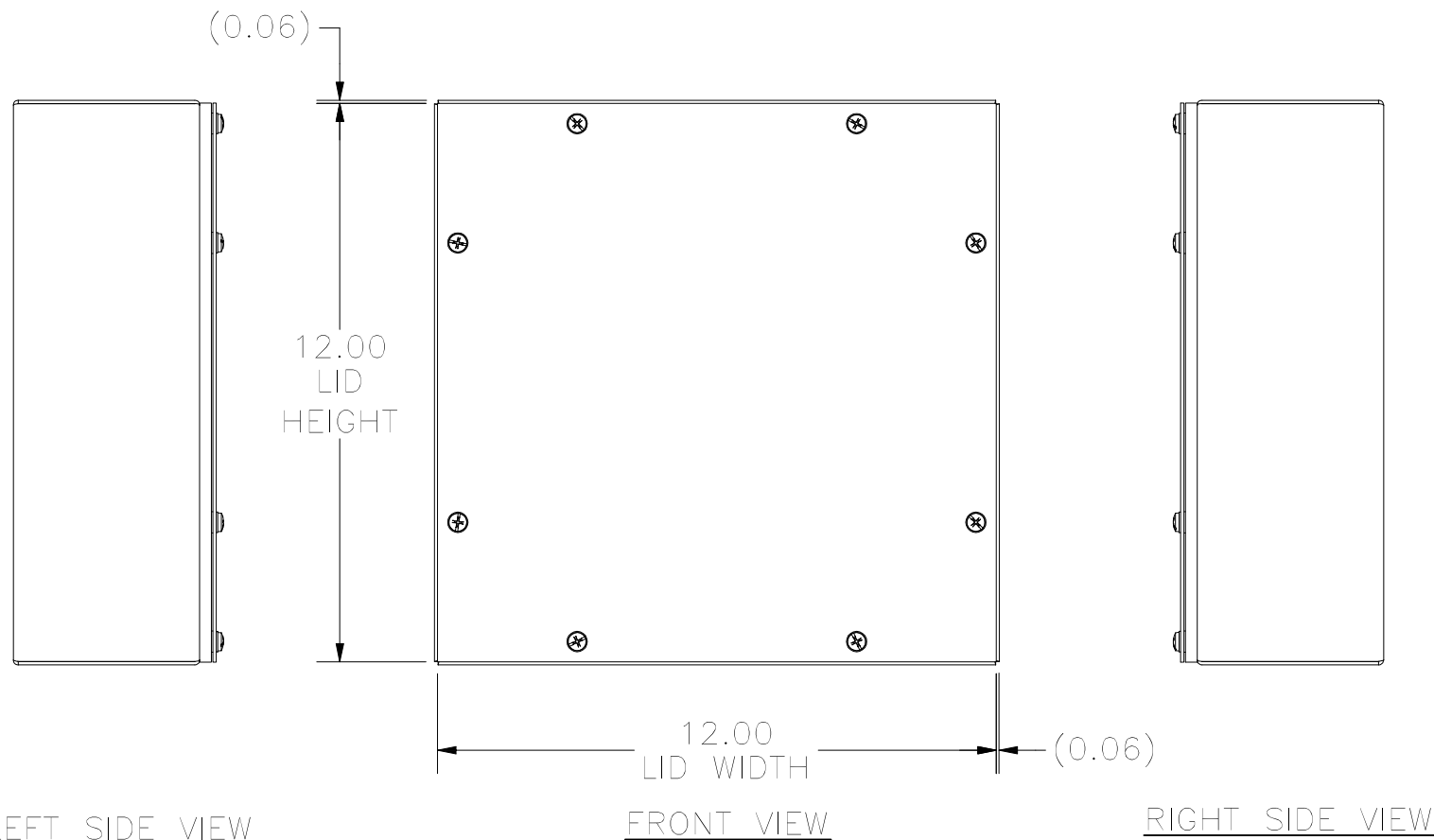
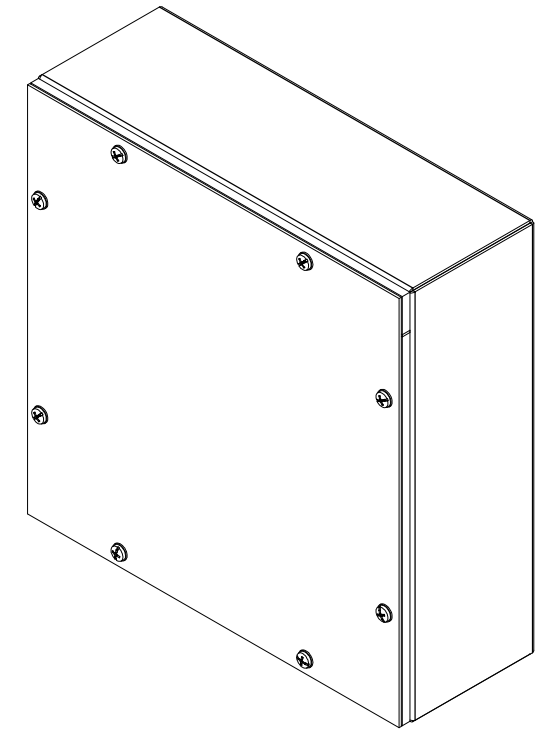


TOP VIEW

WASHER, NYLON FLAT, 3/16 X 7/16  
 SCREW, SS., CAPTIVE 10-32 X 19/32  
 NUT, RIV C.END, 10-32 X .80-.130G  
 NUT, RIV C.END, 10-32 X .80-.130G



DETAIL D  
(8 PL.)



PART#: WA121204GSC  
 (DATA SUBJECT TO CHANGE WITHOUT NOTICE)

THIS DRAWING IS PROPERTY OF HUBBELL INC. WIEGMANN  
 ALL INFORMATION IS PROPRIETARY AND NOT TO BE DUPLICATED