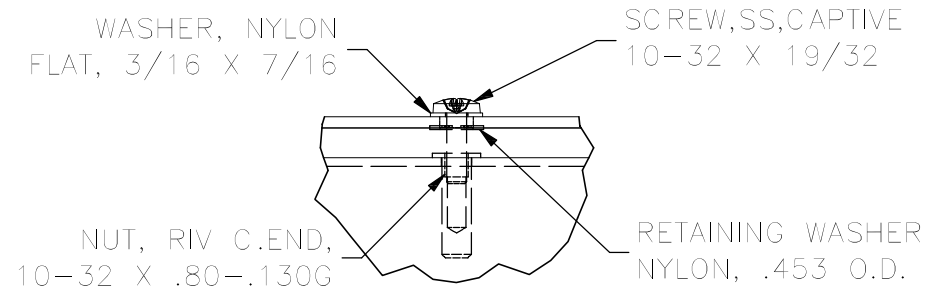
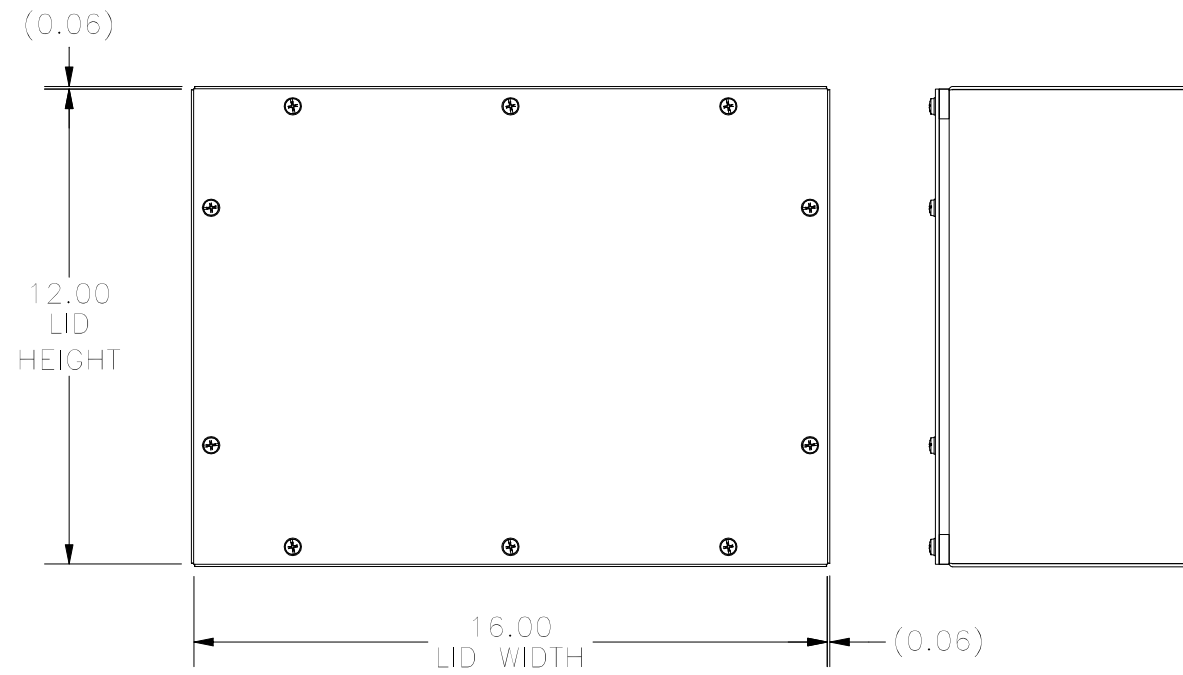
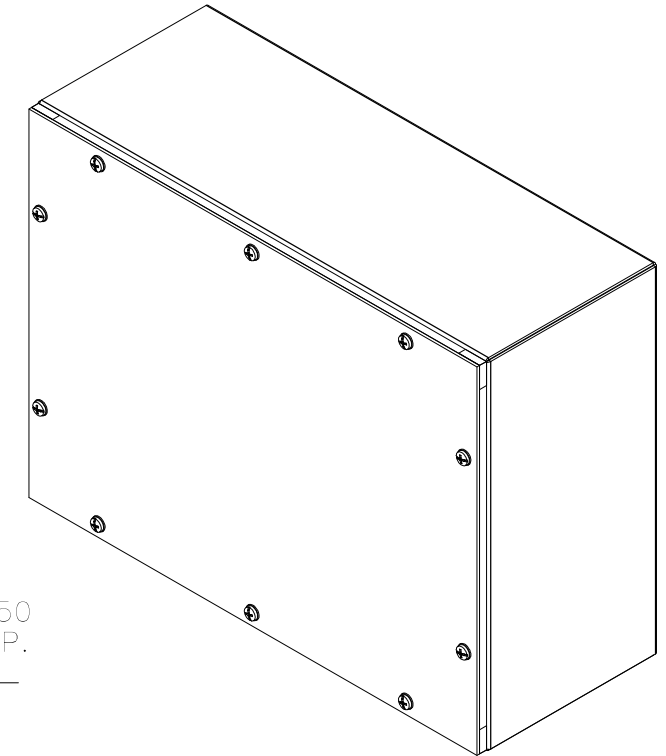


TOP VIEW

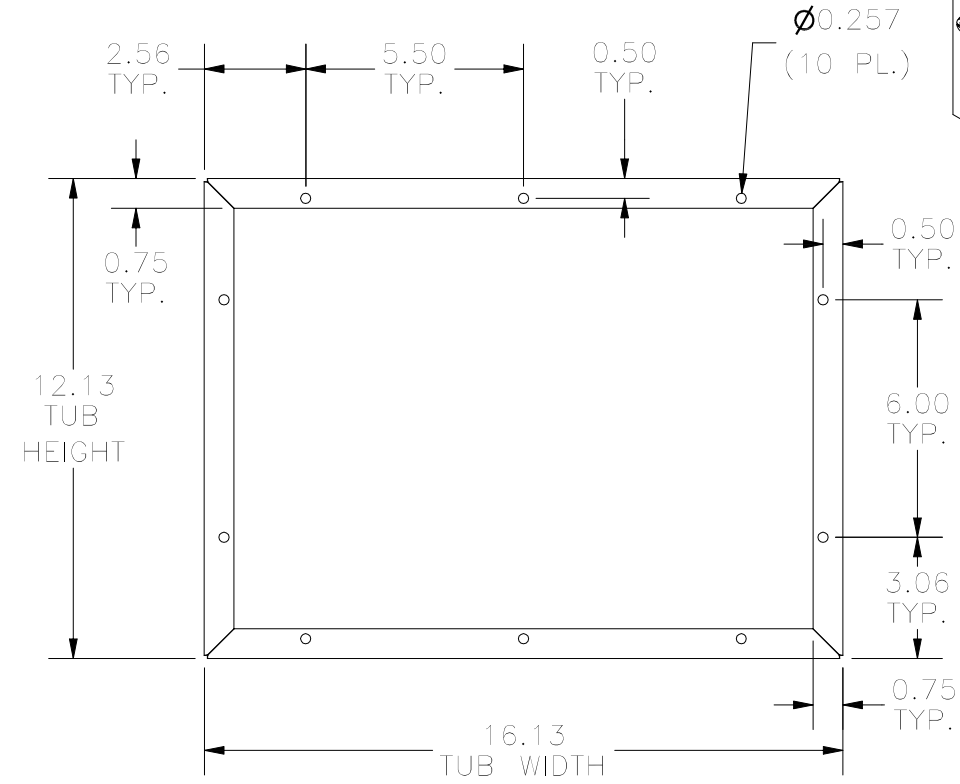


DETAIL D  
(10 PL.)

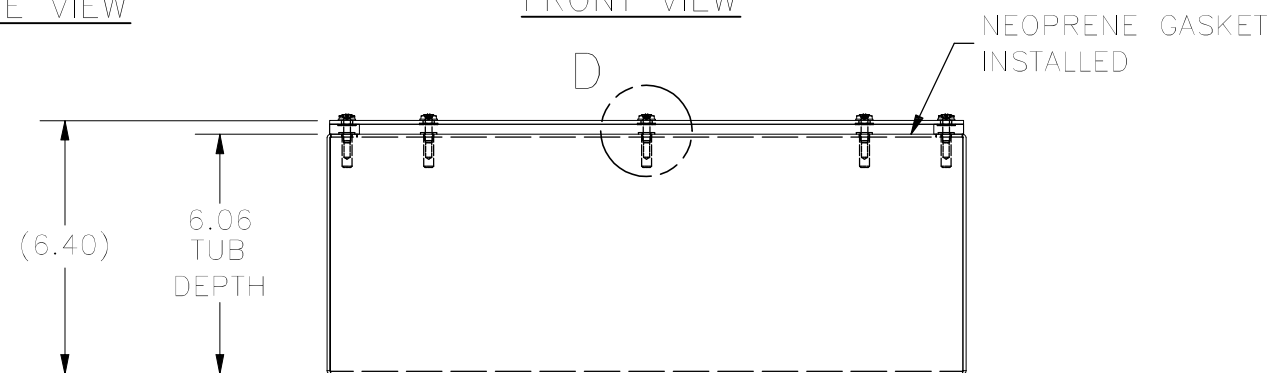


LEFT SIDE VIEW

FRONT VIEW



FRONT VIEW TUB



BOTTOM VIEW

PART#: WA121606GSCG  
(DATA SUBJECT TO CHANGE WITHOUT NOTICE)

THIS DRAWING IS PROPERTY OF HUBBELL INC. WIEGMANN  
ALL INFORMATION IS PROPRIETARY AND NOT TO BE DUPLICATED