

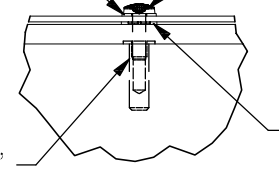
TOP VIEW

WASHER, NYLON
FLAT, 3/16 X 7/16

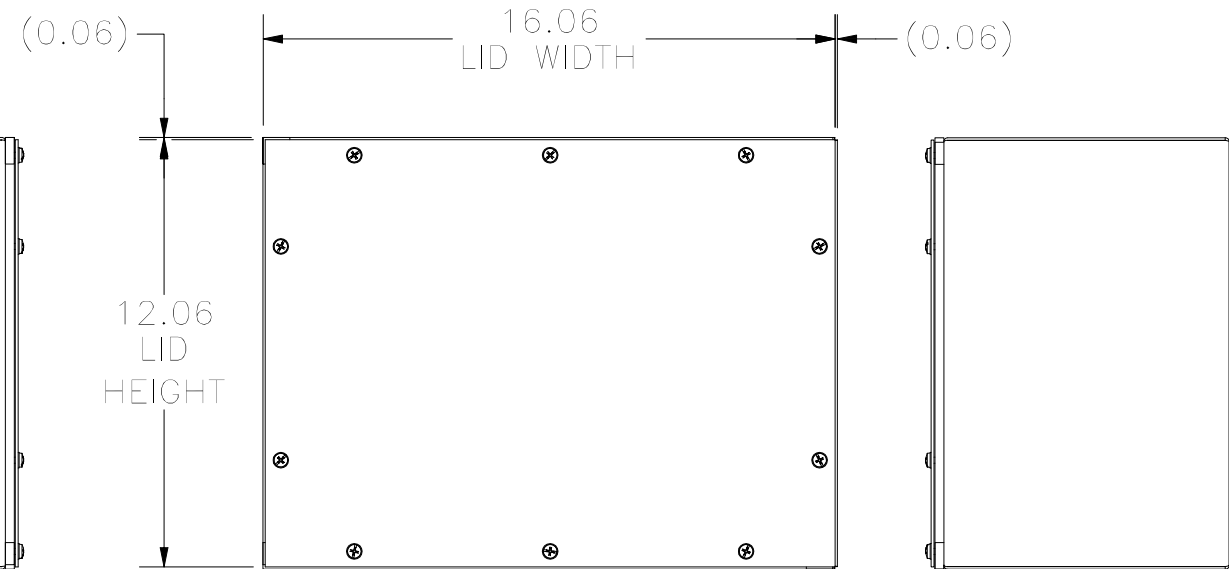
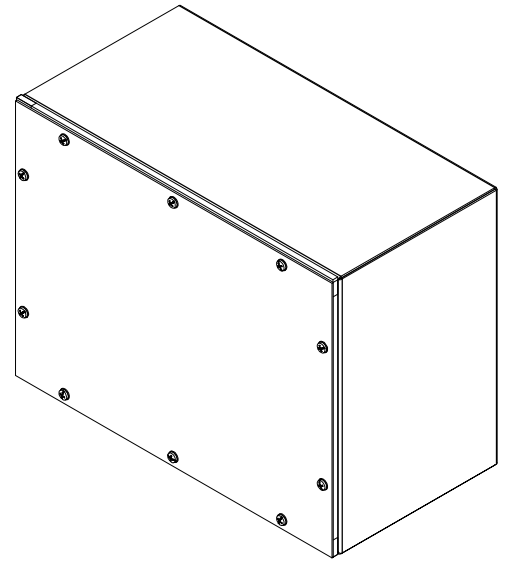
SCREW, S.S., CAPTIVE
10-32 X 19/32

NUT, RIV C.END,
10-32 X .80-.130G

RETAINING WASHER
NYLON, .453 O.D.



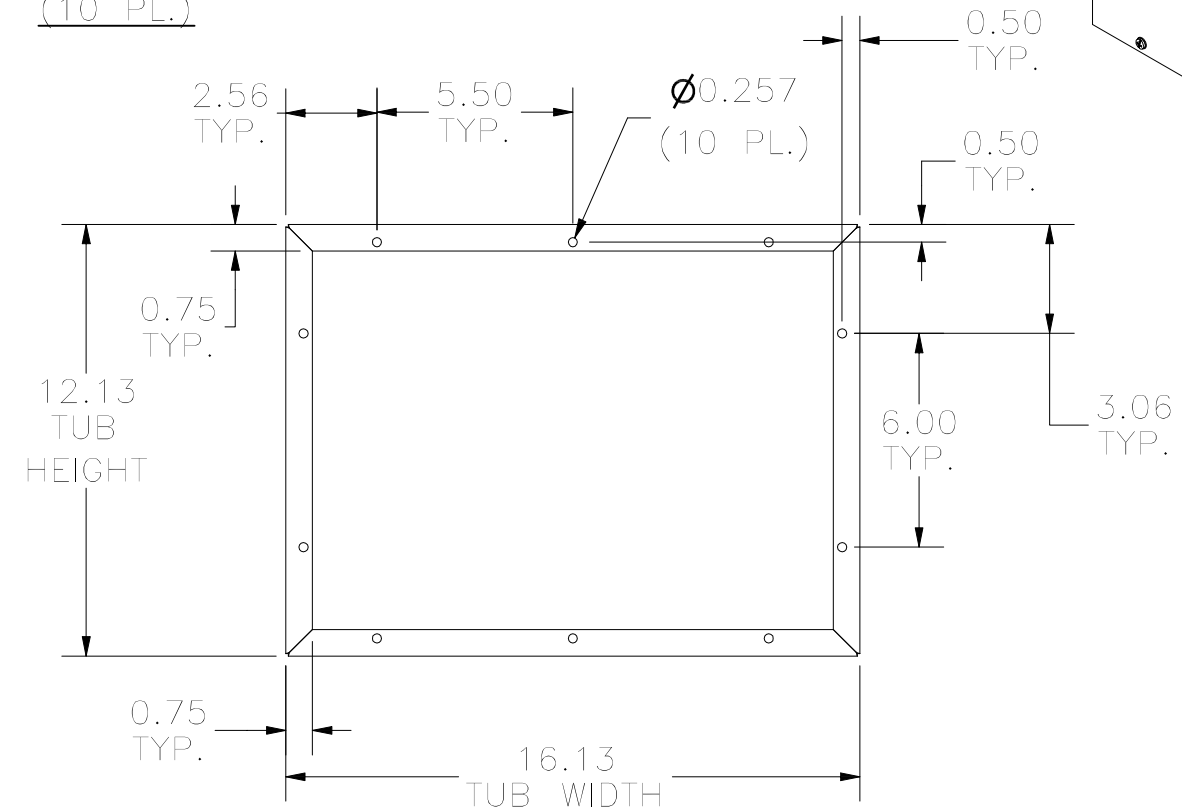
DETAIL D
(10 PL.)



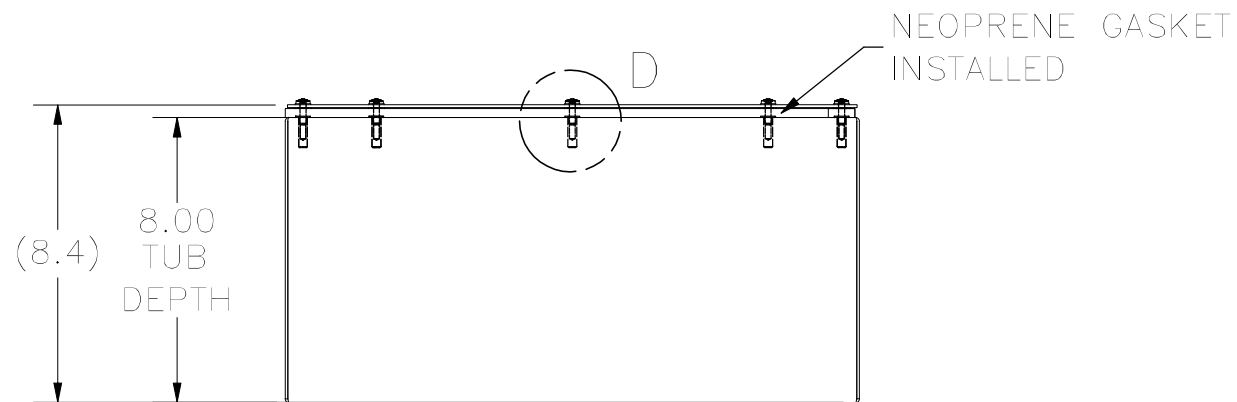
LEFT SIDE VIEW

FRONT VIEW

RIGHT SIDE VIEW



FRONT VIEW TUB



BOTTOM VIEW

PART#: WA121608GSC
(DATA SUBJECT TO CHANGE WITHOUT NOTICE)

THIS DRAWING IS PROPERTY OF HUBBELL INC. WIEGMANN
ALL INFORMATION IS PROPRIETARY AND NOT TO BE DUPLICATED