

TOP VIEW

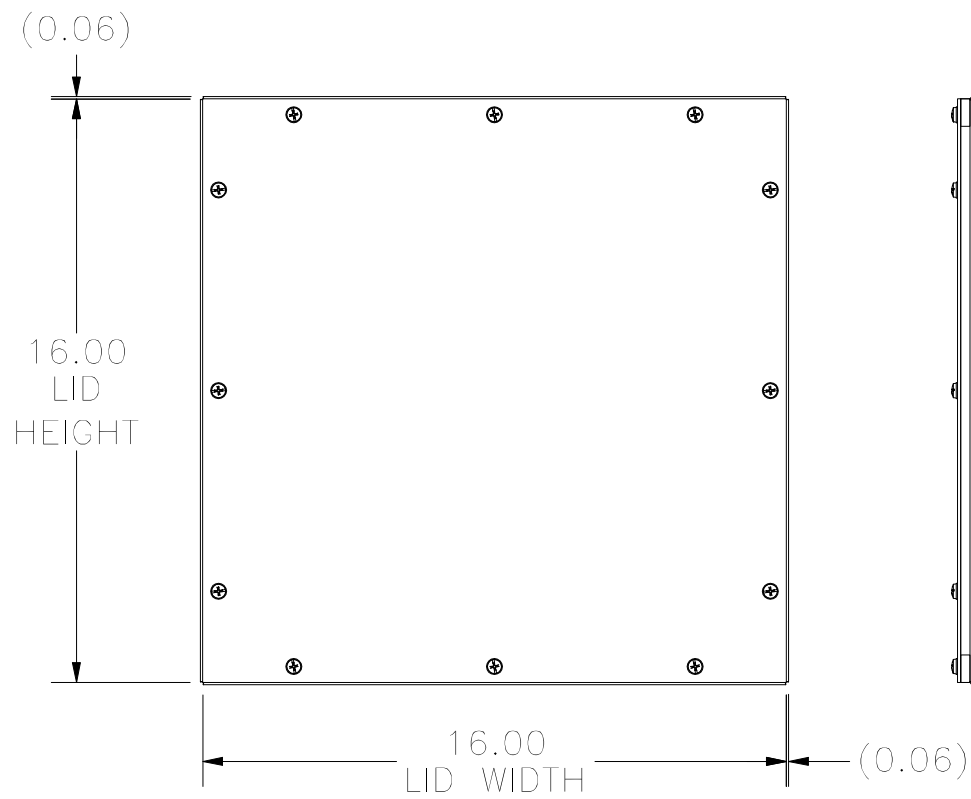
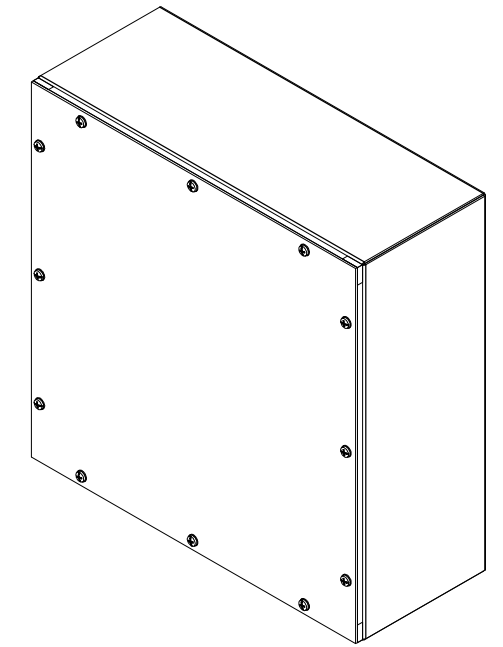
WASHER, NYLON
FLAT, 3/16 X 7/16

SCREW, SS. CAPTIVE
10-32 X 19/32

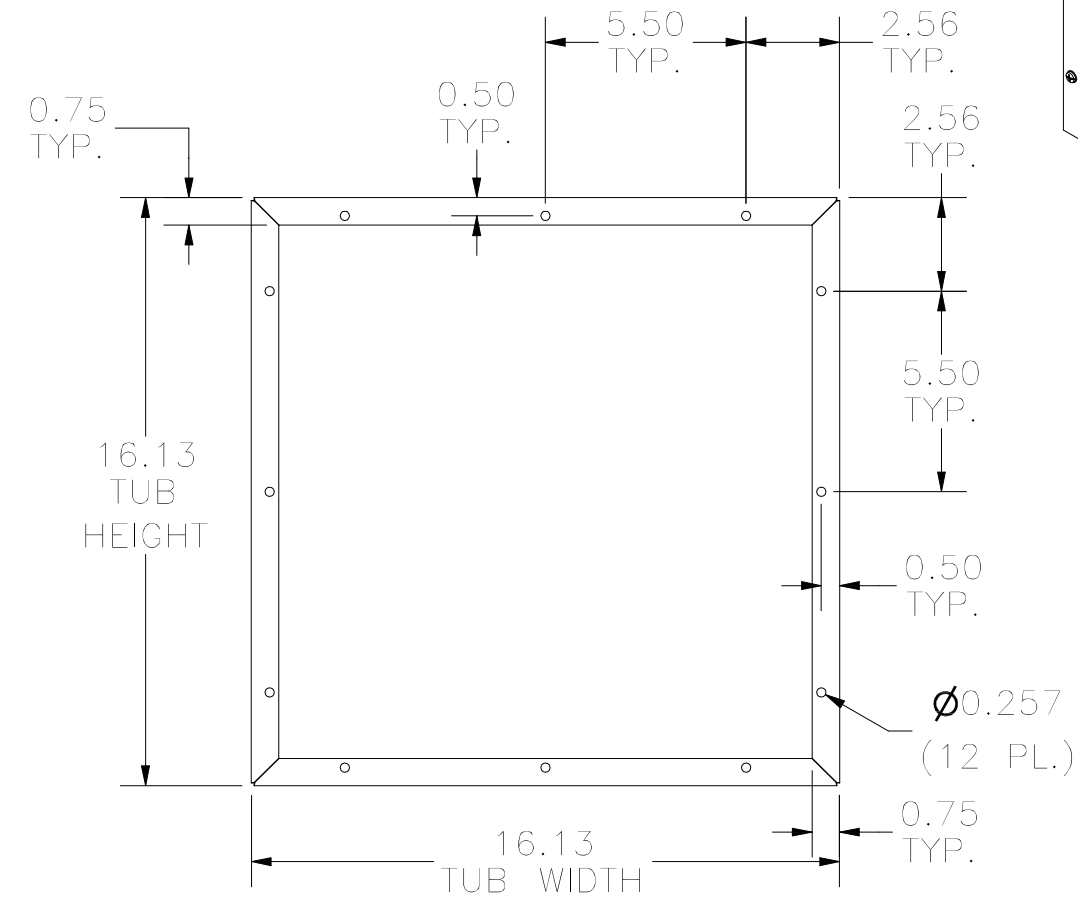
NUT, RIV C. END
10-32 X .80-.130G

RETAINING WASHER
NYLON, .453 O.D.

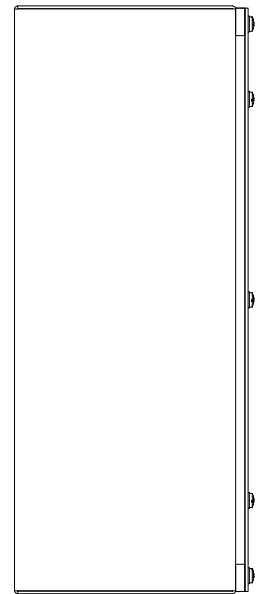
DETAIL D
(12 PL.)



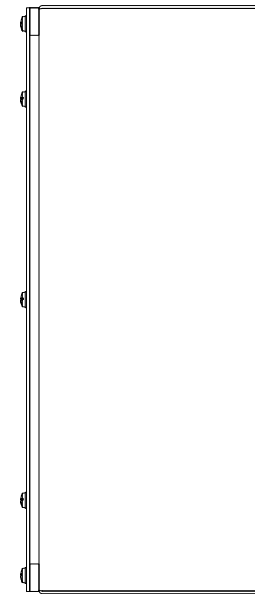
FRONT VIEW



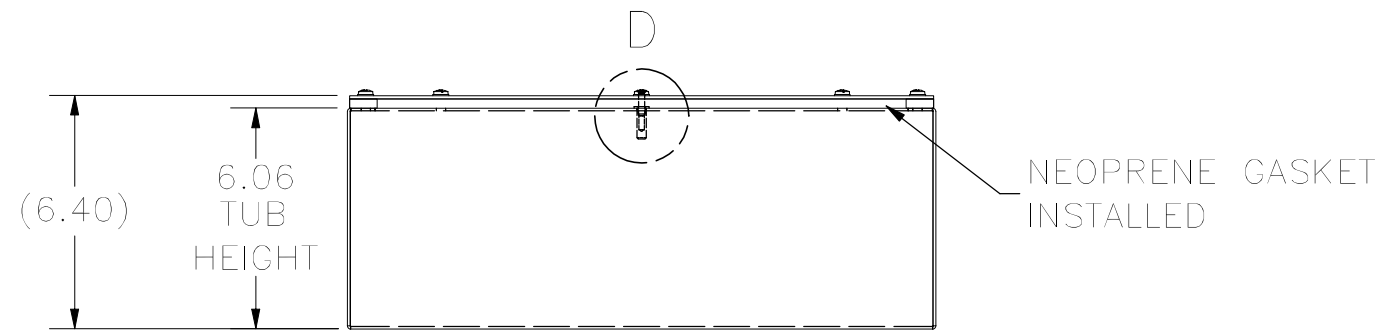
FRONT VIEW TUB



LEFT SIDE VIEW



RIGHT SIDE VIEW



BOTTOM VIEW

PART#: WA161606GSCG
(DATA SUBJECT TO CHANGE WITHOUT NOTICE)

THIS DRAWING IS PROPERTY OF HUBBELL INC. WIEGMANN
ALL INFORMATION IS PROPRIETARY AND NOT TO BE DUPLICATED