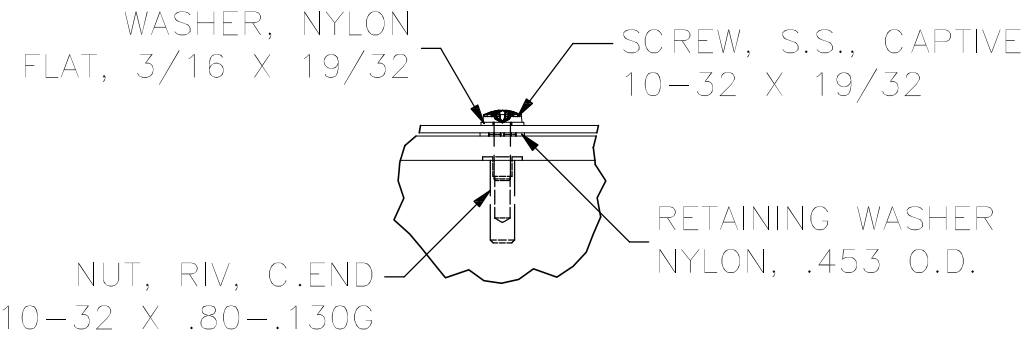
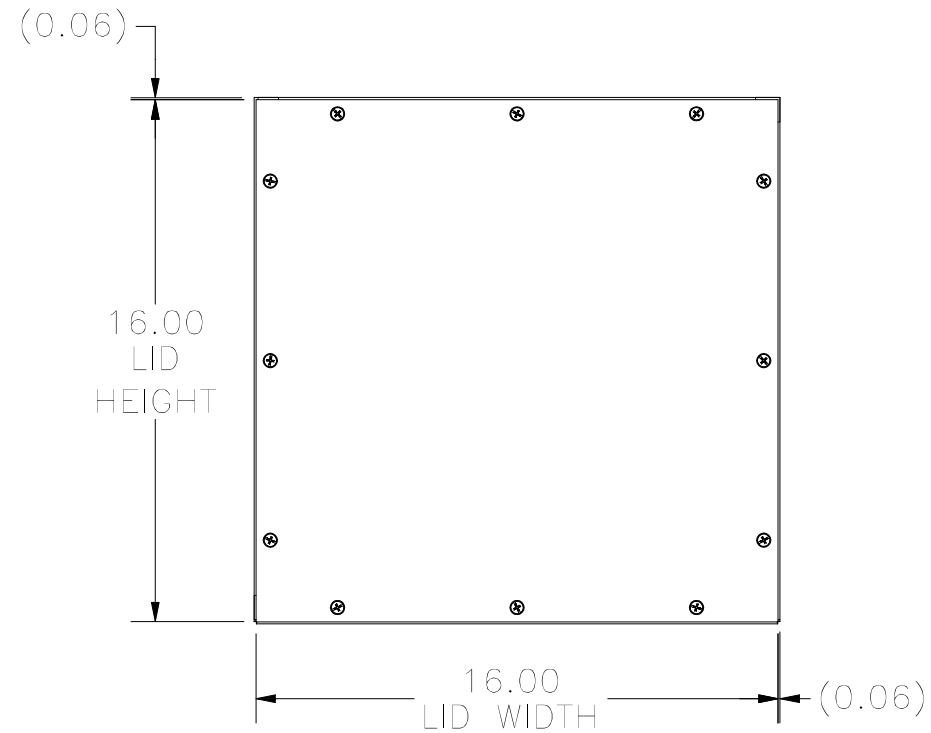
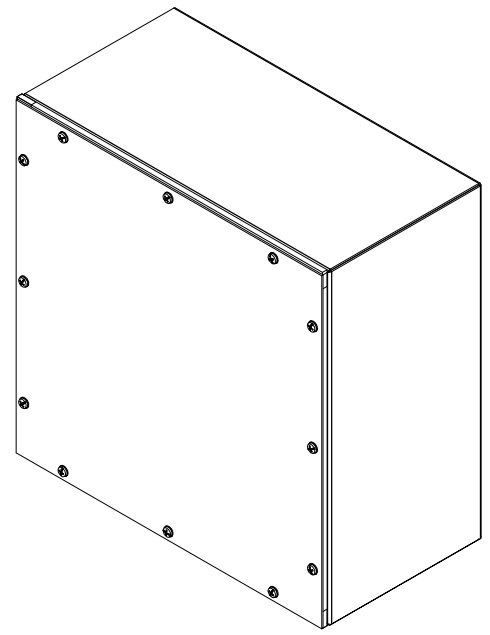


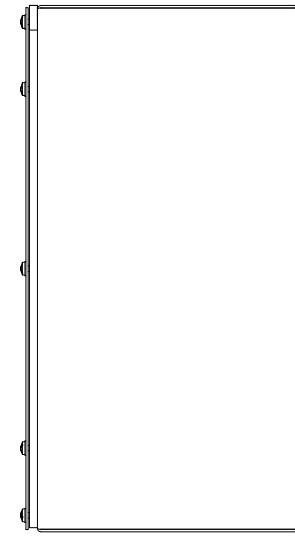
TOP VIEW



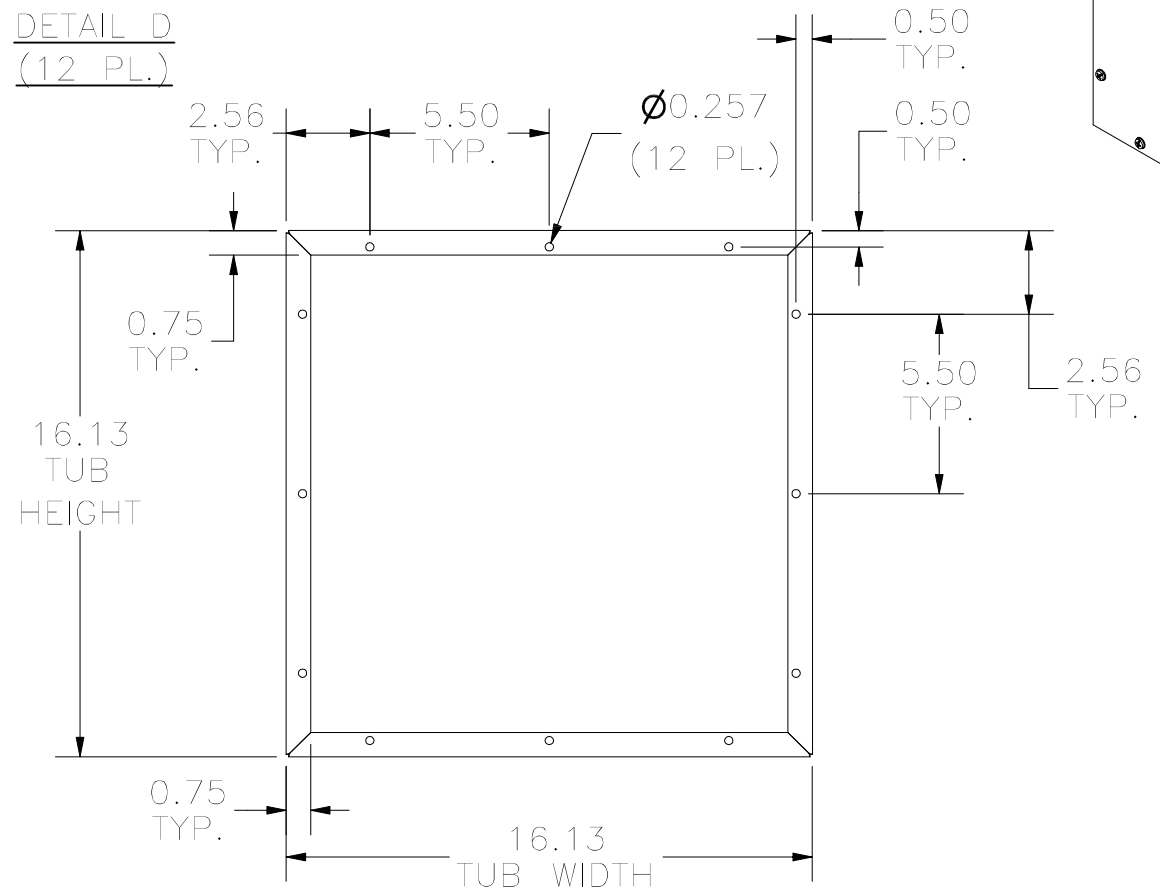
DETAIL D
(12 PL.)



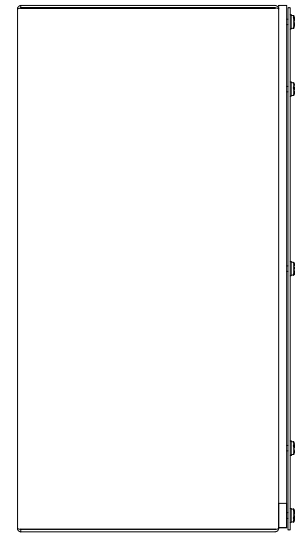
FRONT VIEW



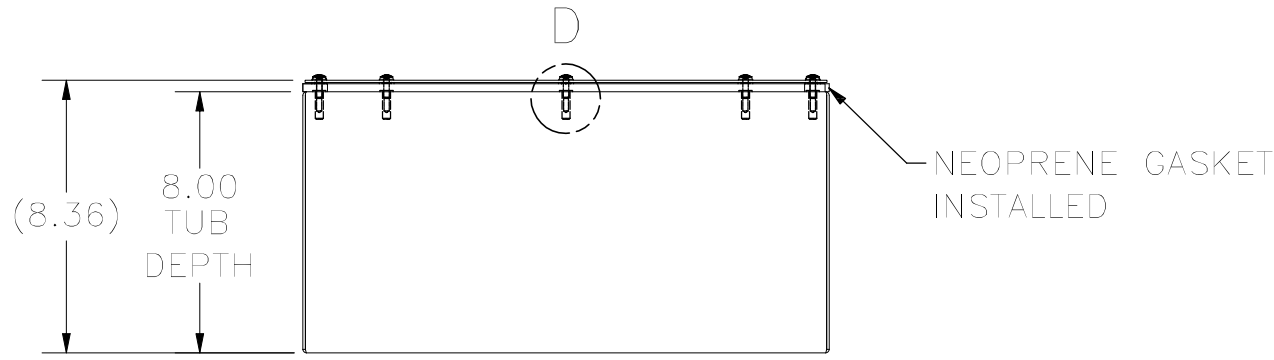
RIGHT SIDE VIEW



FRONT VIEW TUB



LEFT SIDE VIEW



BOTTOM VIEW

PART#: WA161608GSC
(DATA SUBJECT TO CHANGE WITHOUT NOTICE)

THIS DRAWING IS PROPERTY OF HUBBELL INC. WIEGMANN
ALL INFORMATION IS PROPRIETARY AND NOT TO BE DUPLICATED