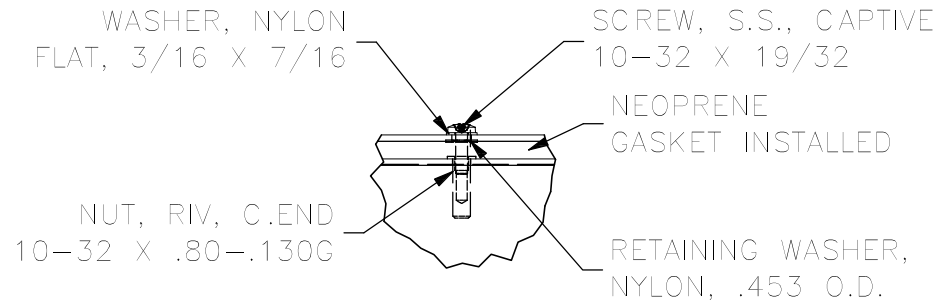
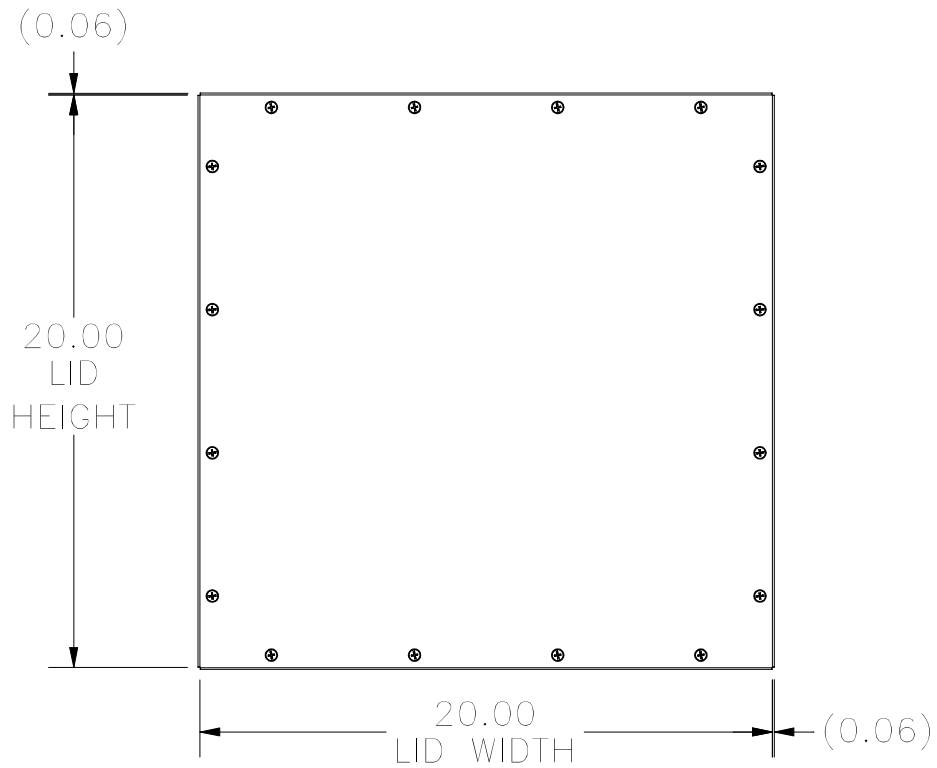
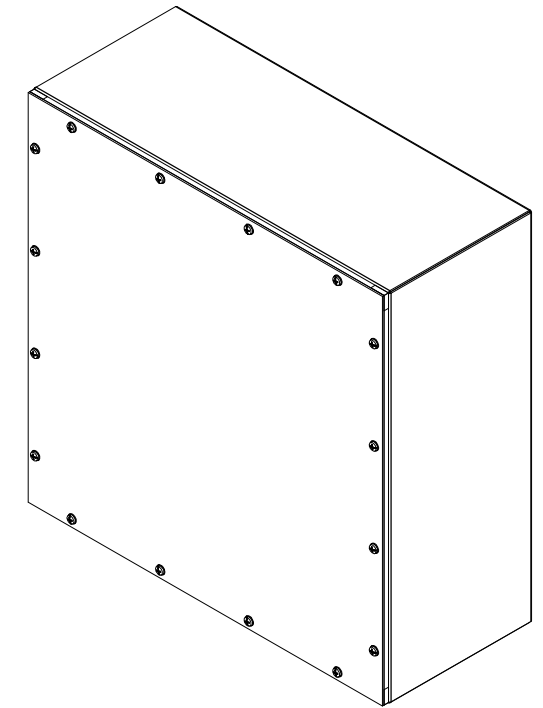


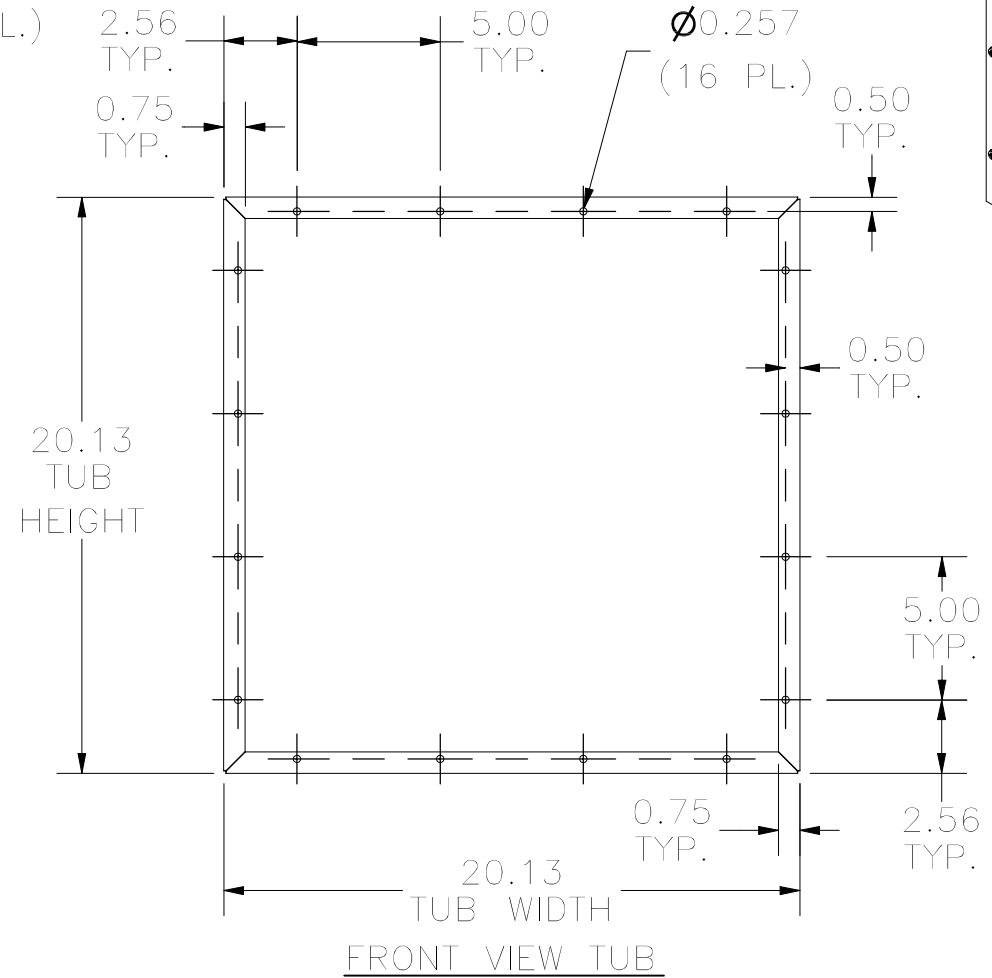
TOP VIEW



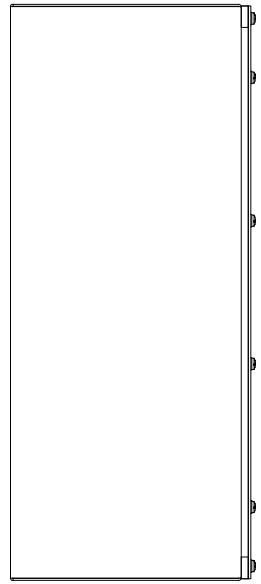
DETAIL D
(16 PL.)



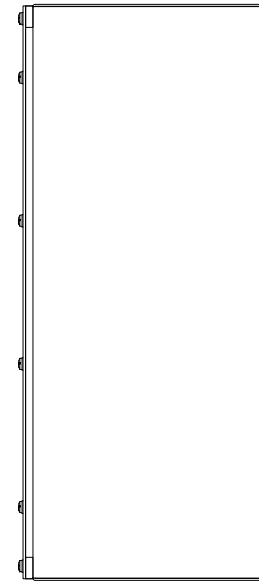
FRONT VIEW



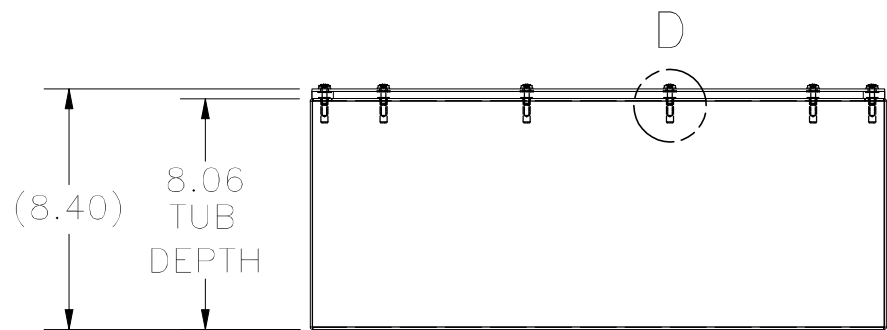
FRONT VIEW TUB



LEFT SIDE VIEW



RIGHT SIDE VIEW



BOTTOM VIEW

PART#: WA202008GSCG
(DATA SUBJECT TO CHANGE WITHOUT NOTICE)

THIS DRAWING IS PROPERTY OF HUBBELL INC. WIEGMANN
ALL INFORMATION IS PROPRIETARY AND NOT TO BE DUPLICATED