

TOP VIEW

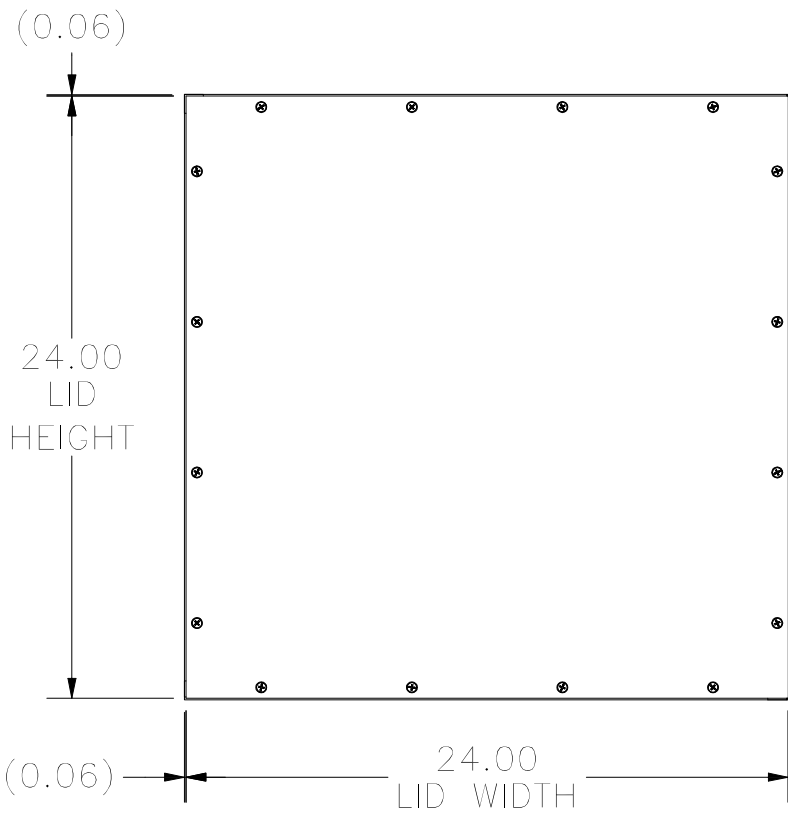
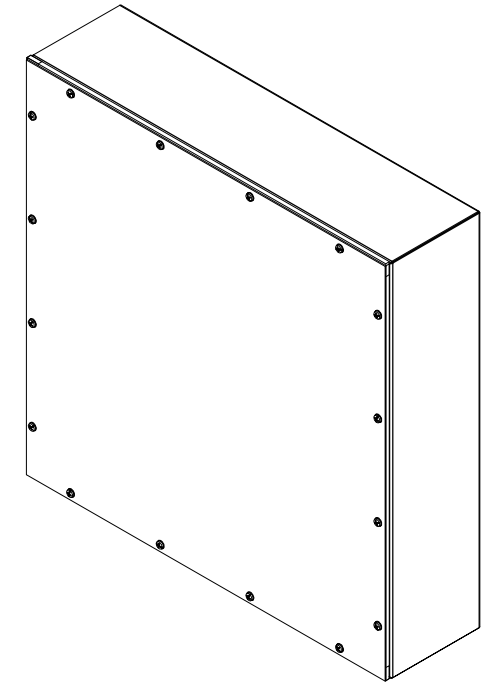
WASHER, NYLON,
FLAT, 3/16 X 7/16

SCREW, S.S., CAPTIVE
10-32 X 19/32

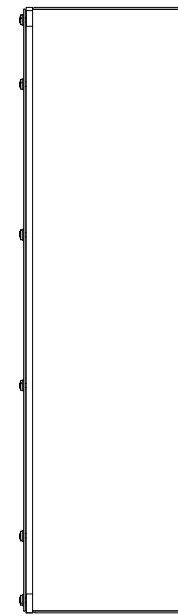
NUT, RIV, C.END.
10-32 X 0.80-.130G

RETAINING WASHER,
NYLON, .453 O.D.

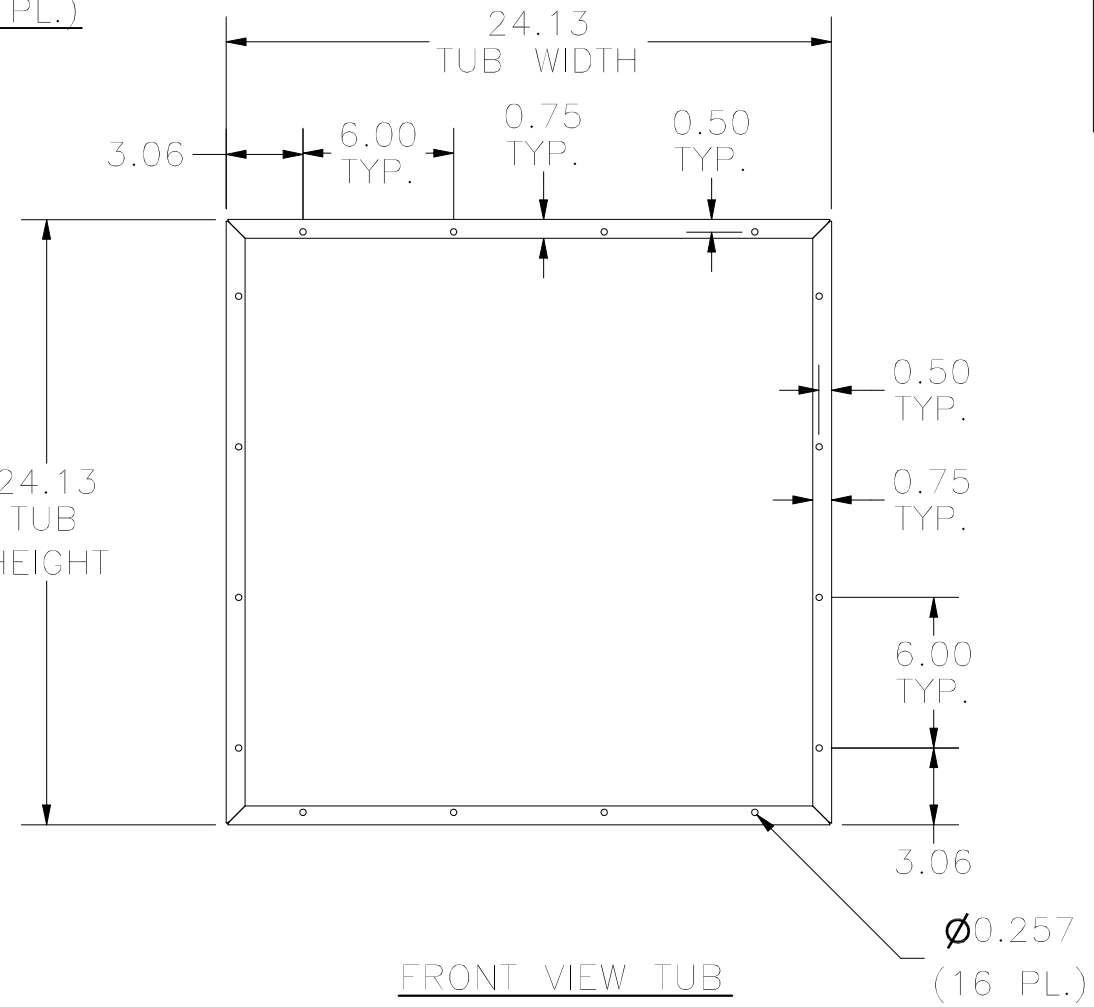
DETAIL D
(16 PL.)



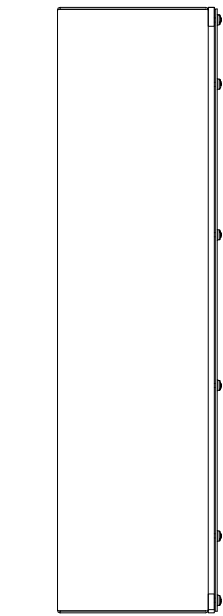
FRONT VIEW



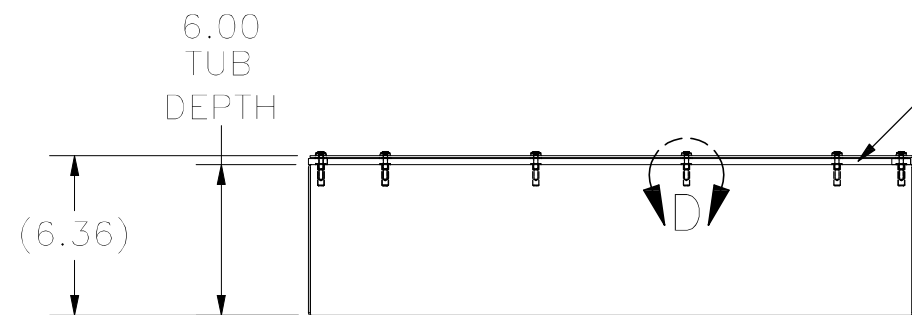
RIGHT SIDE VIEW



FRONT VIEW TUB



LEFT SIDE VIEW



BOTTOM VIEW

NEOPRENE GASKET
INSTALLED

PART#: WA242406GSC
(DATA SUBJECT TO CHANGE WITHOUT NOTICE)

THIS DRAWING IS PROPERTY OF HUBBELL INC. WIEGMANN
ALL INFORMATION IS PROPRIETARY AND NOT TO BE DUPLICATED