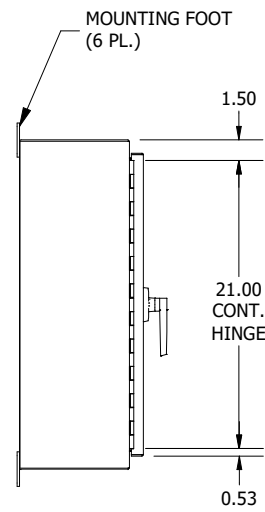
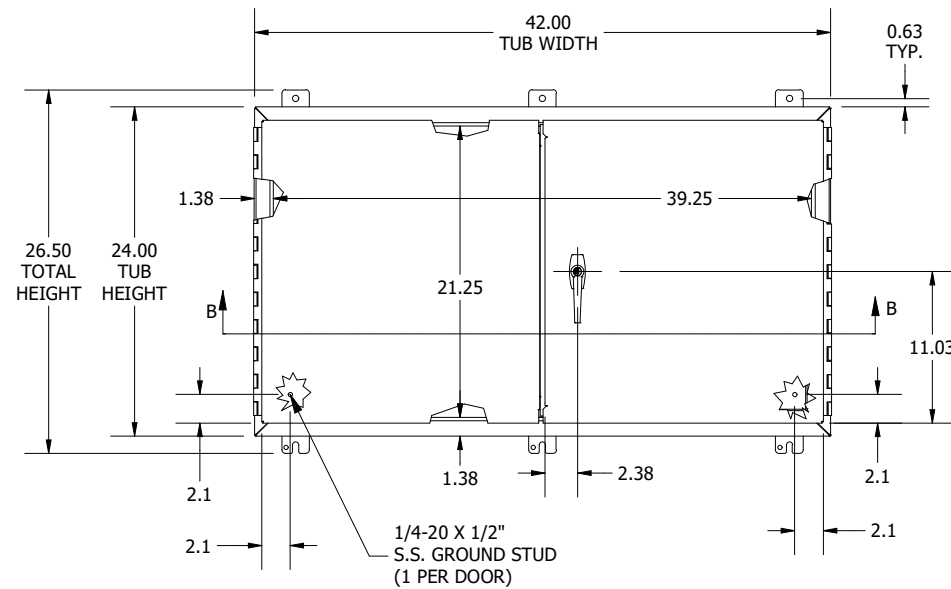


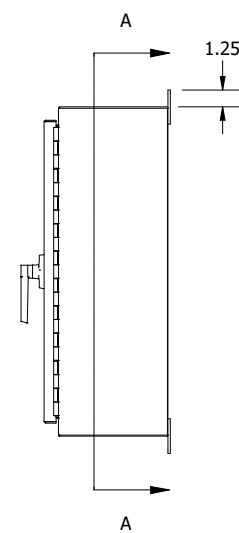
TOP VIEW



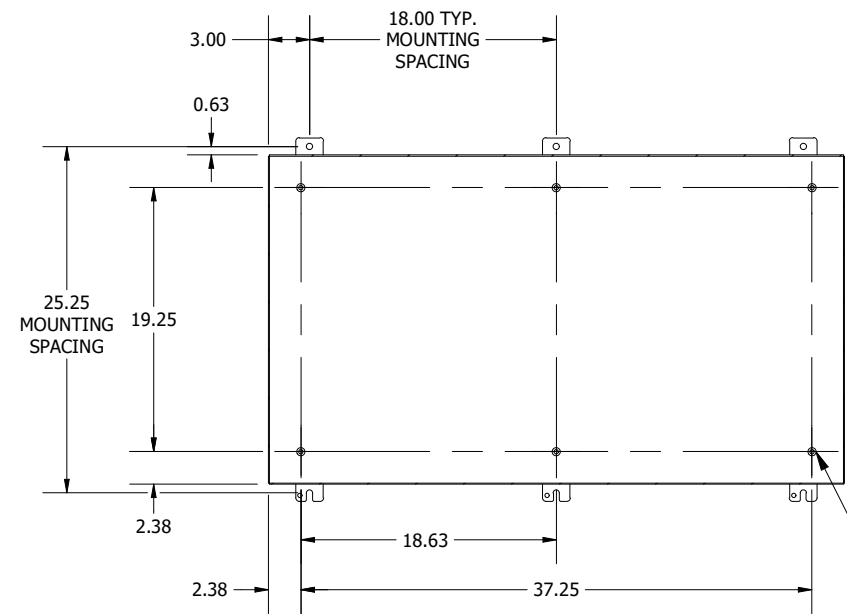
LEFT SIDE VIEW



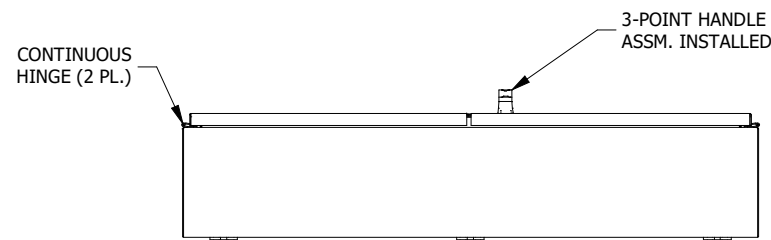
FRONT VIEW



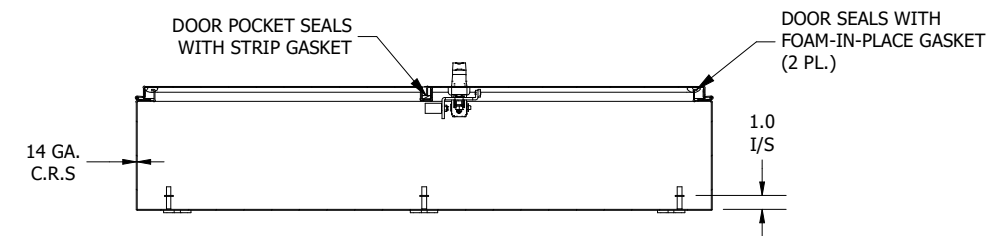
RIGHT SIDE VIEW



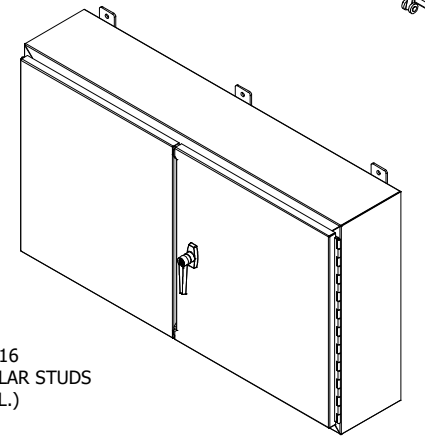
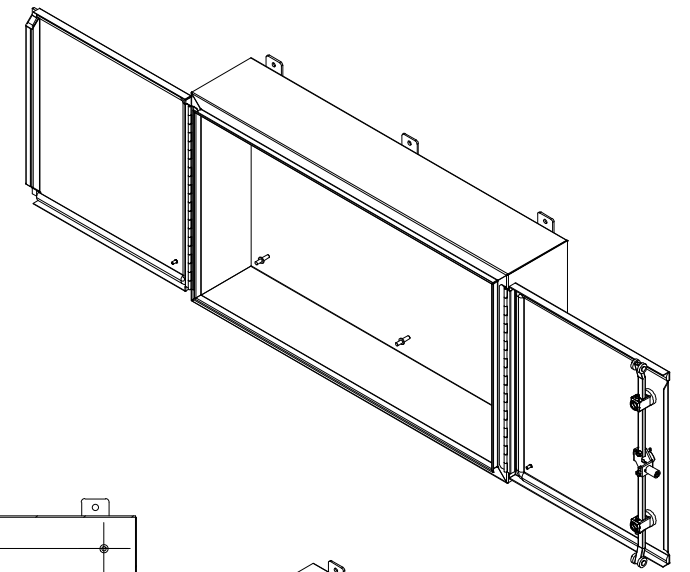
SECTION A-A  
(INSIDE BACK VIEW OF ENCL.)



BOTTOM VIEW



SECTION B-B  
(INSIDE VIEW OF TOP)



3/8-16  
COLLAR STUDS  
(6 PL.)

PART #:WA244208WF  
 (DATA SUBJECT TO CHANGE WITHOUT NOTICE)  
 THIS DRAWING IS THE PROPERTY OF HUBBELL INC. WIEGMANN  
 ALL INFORMATION IS PROPRIETARY AND NOT TO BE DUPLICATED