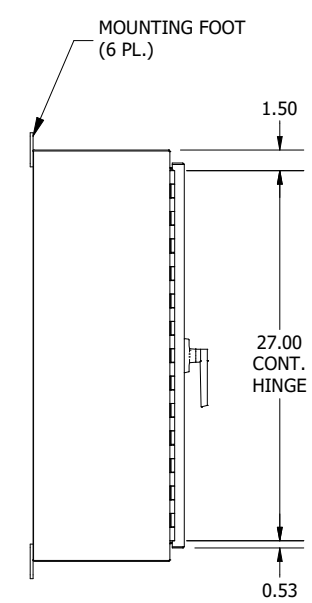
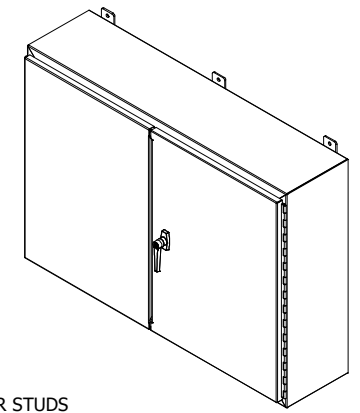
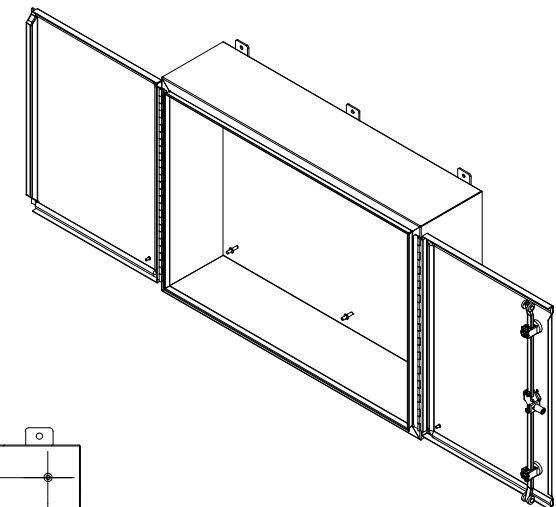
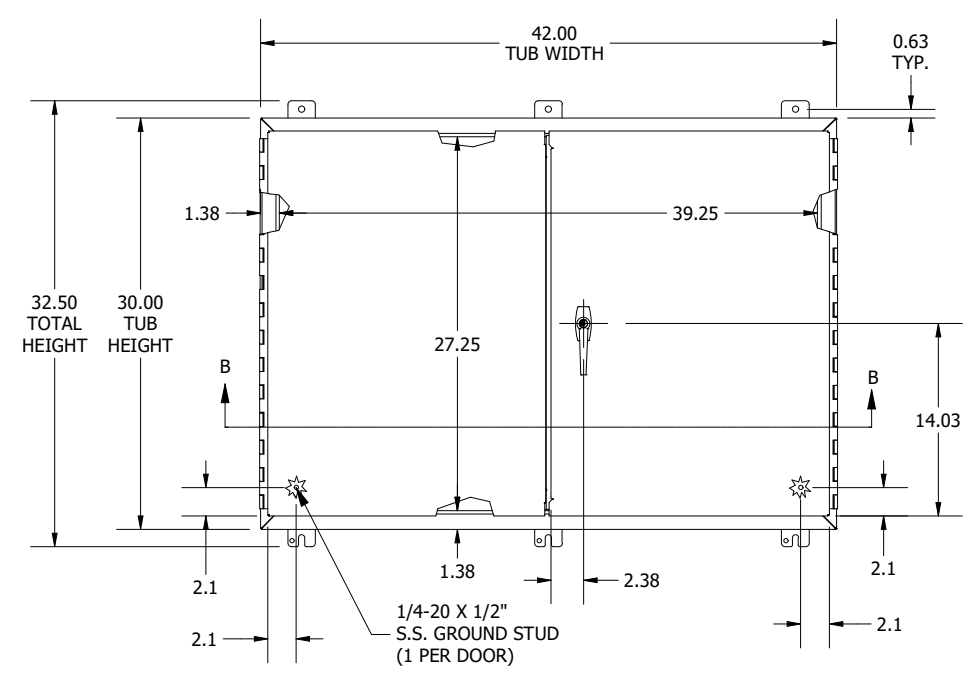


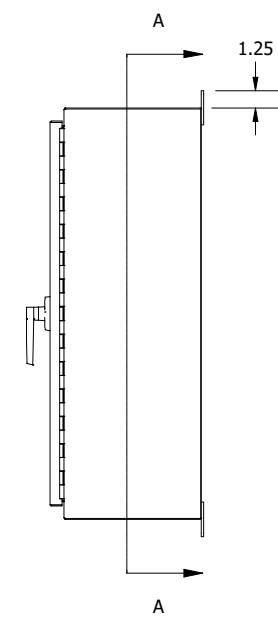
TOP VIEW



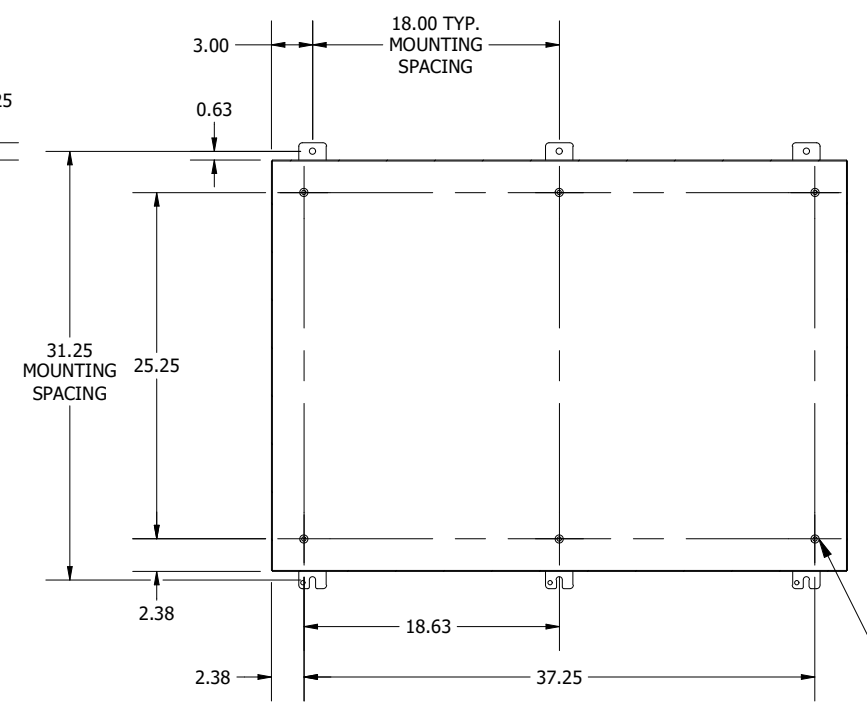
LEFT SIDE VIEW



FRONT VIEW

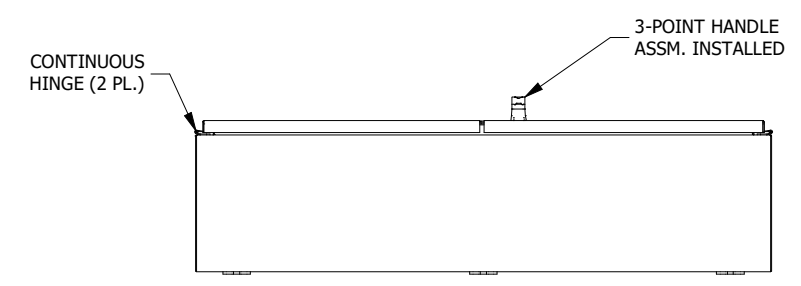


RIGHT SIDE VIEW

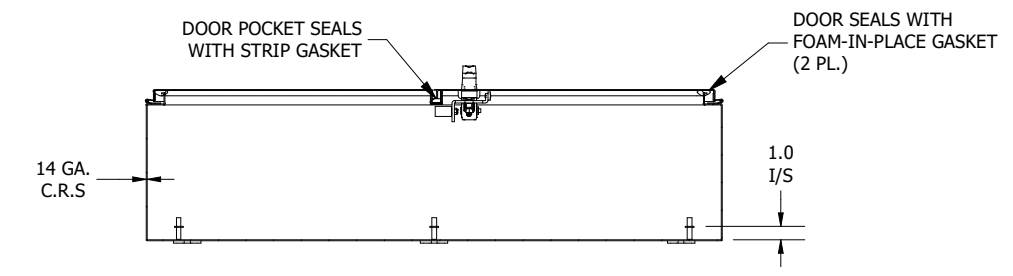


SECTION A-A
(INSIDE BACK VIEW OF ENCL.)

3/8-16
COLLAR STUDS
(6 PL.)



BOTTOM VIEW



SECTION B-B
(INSIDE VIEW OF TOP)

PART #:WA304210WF
 (DATA SUBJECT TO CHANGE WITHOUT NOTICE)
 THIS DRAWING IS THE PROPERTY OF HUBBELL INC. WIEGMANN
 ALL INFORMATION IS PROPRIETARY AND NOT TO BE DUPLICATED