

TOP VIEW

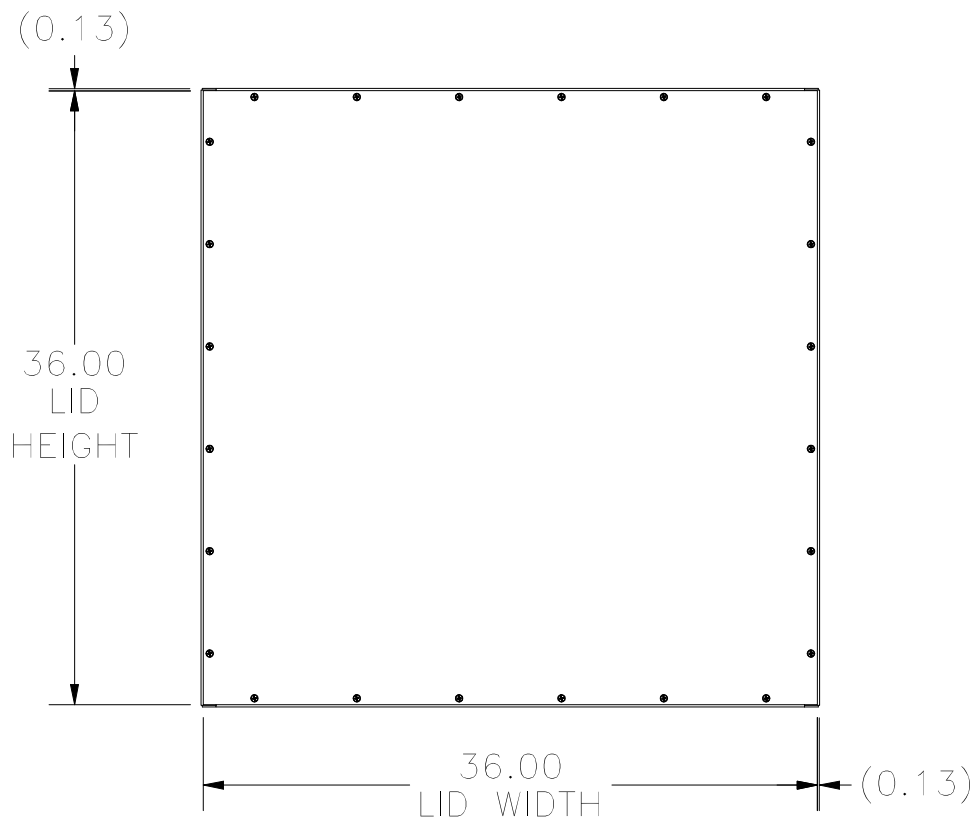
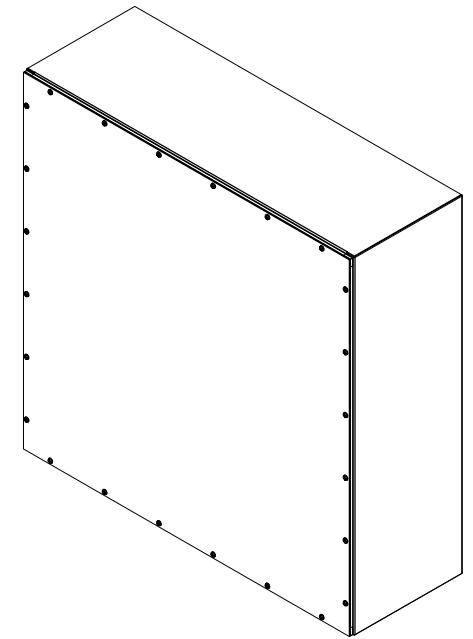
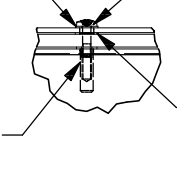
WASHER, NYLON  
FLAT, 3/16 X 7/16

SCREW, SS, CAPTIVE  
10-32 X 19/32

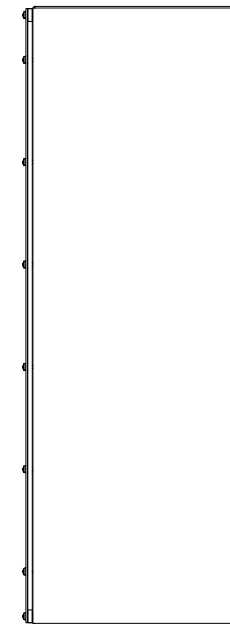
NUT, RIV C.END,  
10-32 X .80-.130G

RETAINING WASHER  
NYLON, .453 O.D

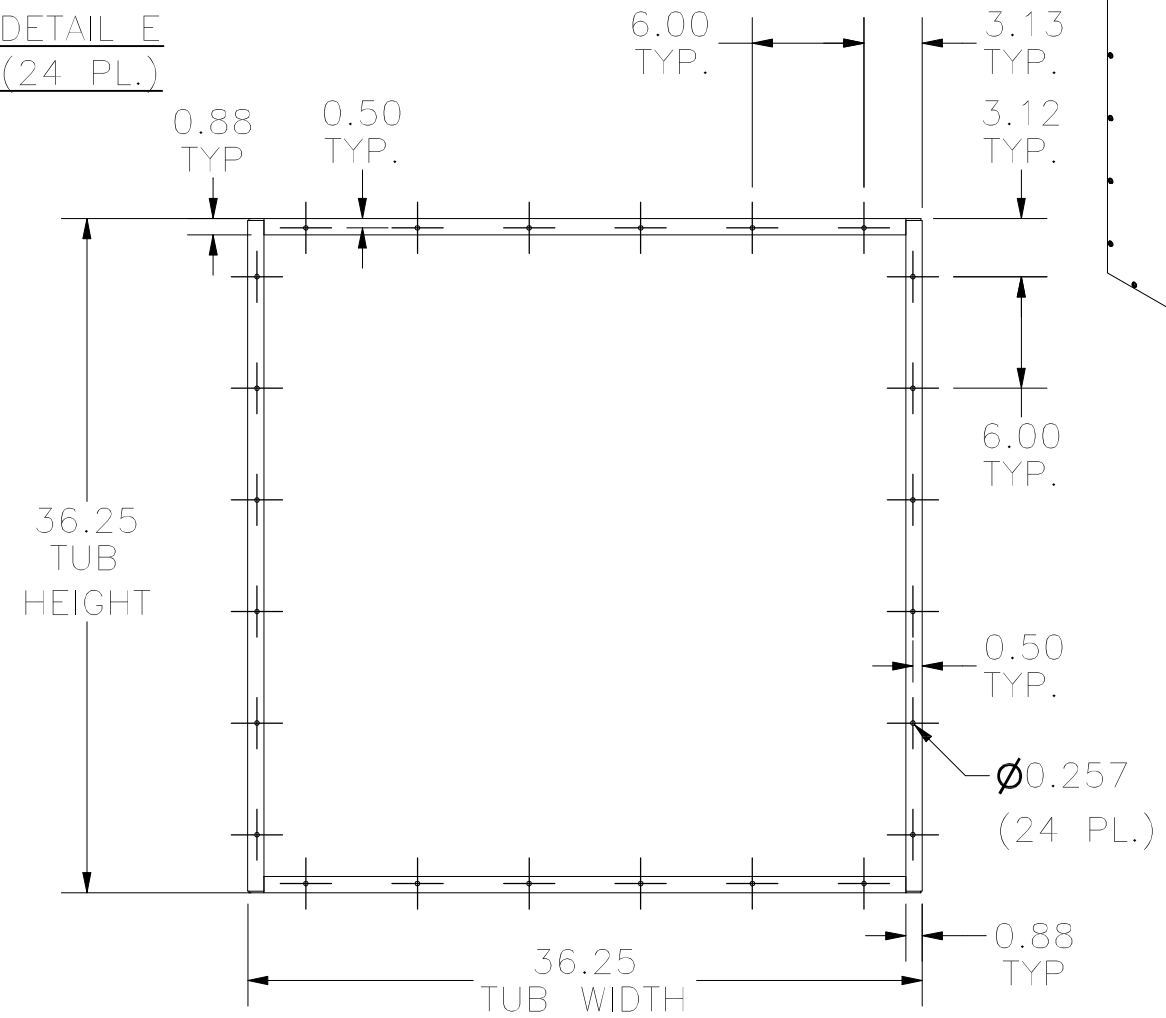
DETAIL E  
(24 PL.)



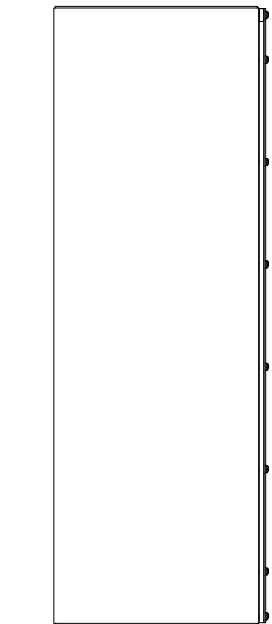
FRONT VIEW



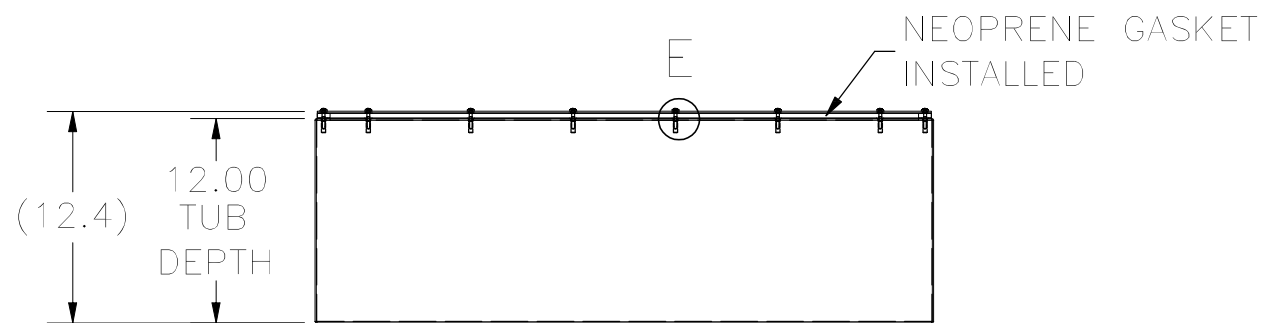
RIGHT SIDE VIEW



FRONT VIEW OF TUB



LEFT SIDE VIEW



BOTTOM VIEW

PART#: WA363612GSC  
(DATA SUBJECT TO CHANGE WITHOUT NOTICE)

THIS DRAWING IS PROPERTY OF HUBBELL INC. WIEGMANN  
ALL INFORMATION IS PROPRIETARY AND NOT TO BE DUPLICATED