

TOP VIEW

WASHER, NYLON
FLAT, 3/16 X 7/16

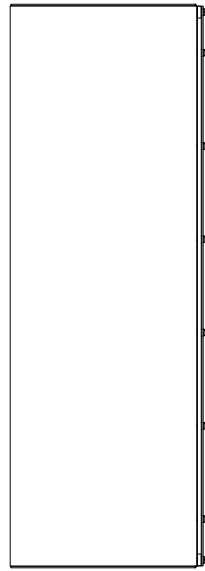
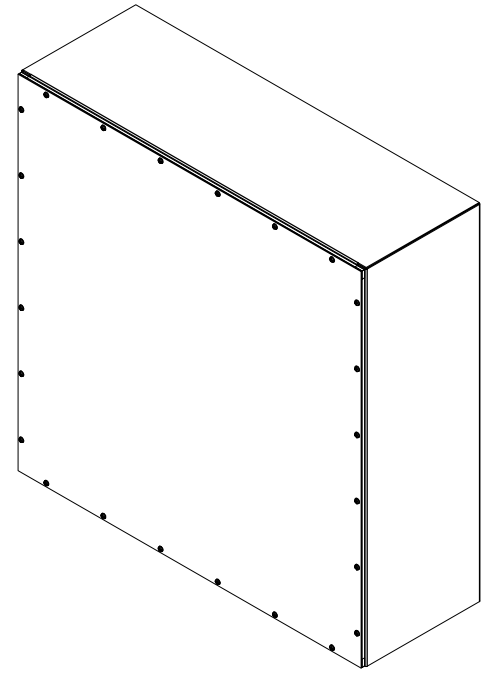
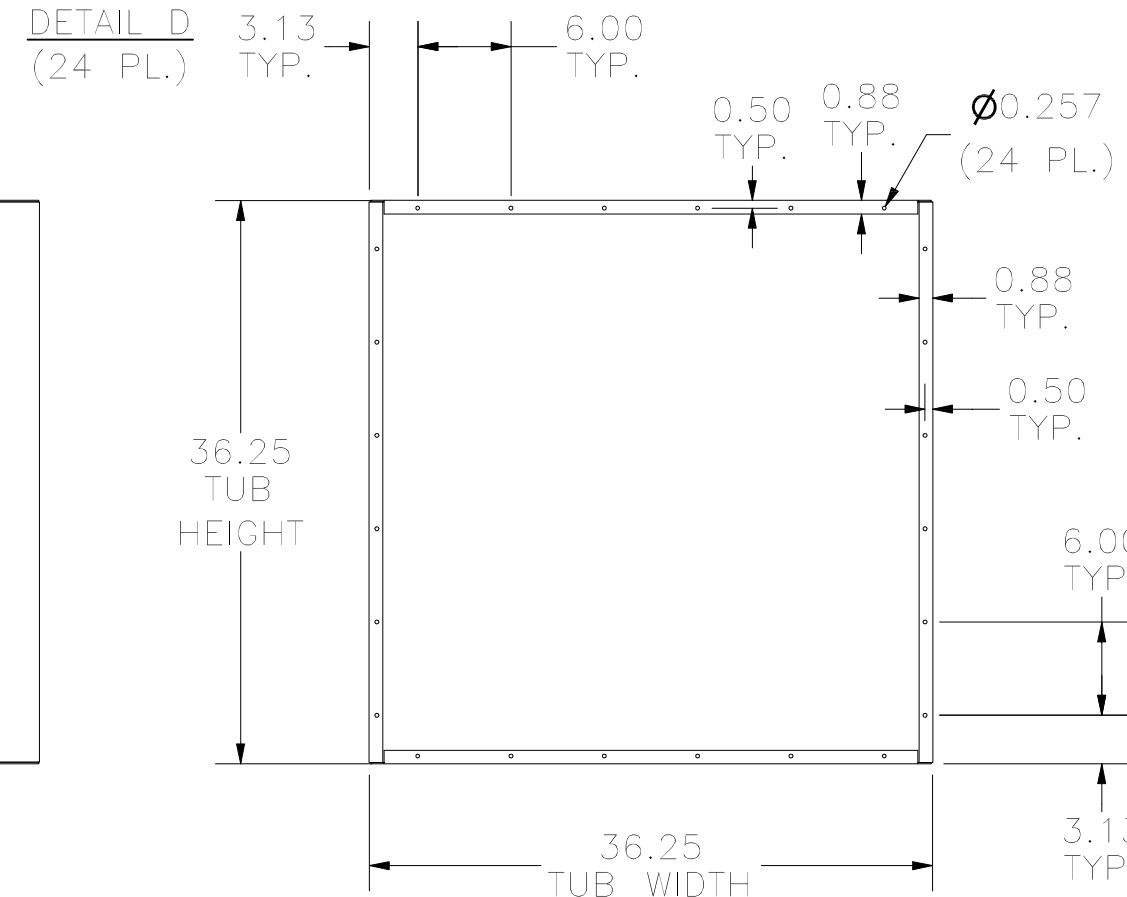
SCREW, S.S. CAPTIVE
10-32 X 19/32

NEOPRENE GASKET
INSTALLED

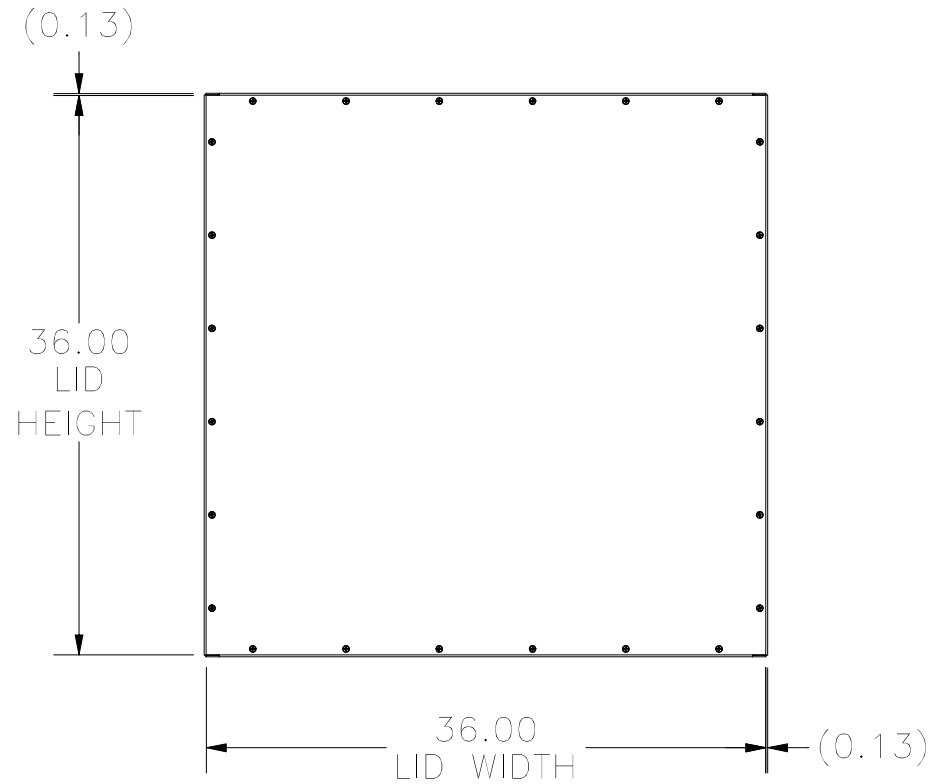
NUT, RIV, C.END
10-32 X .80-.130G

RETAINING WASHER
NYLON, .453 O.D.

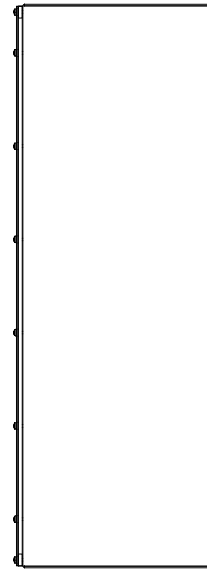
DETAIL D
(24 PL.)



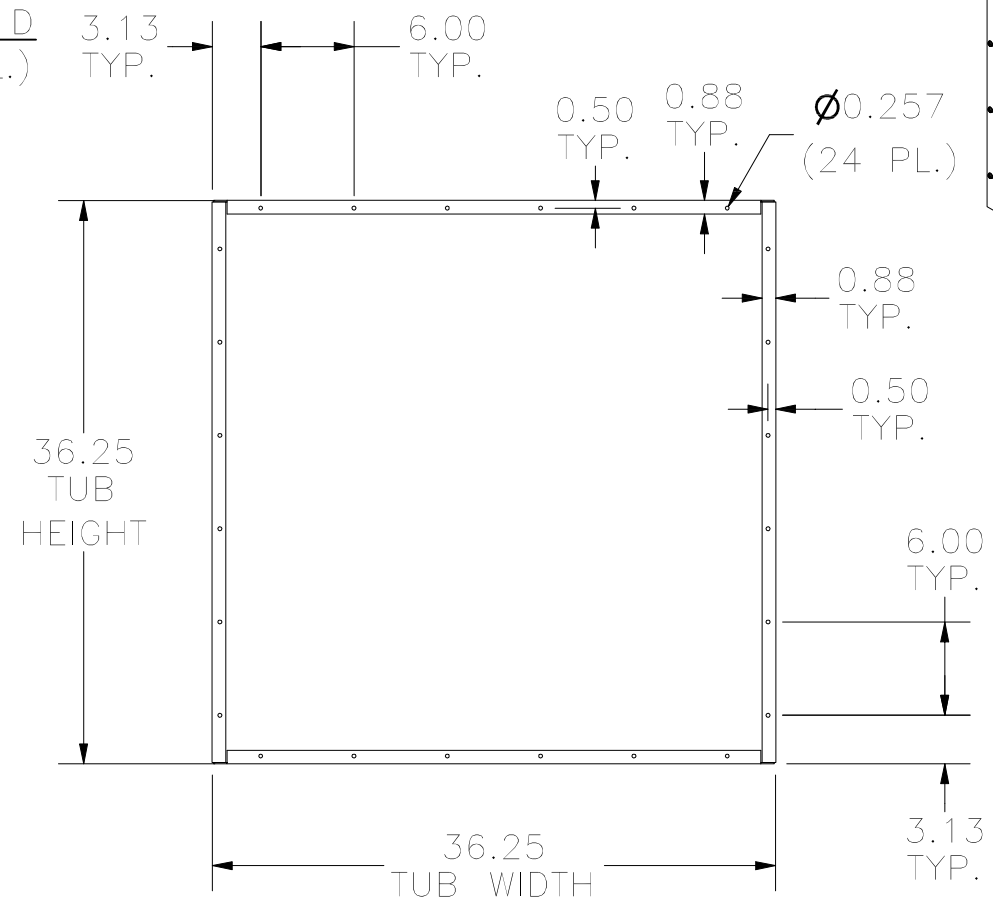
LEFT SIDE VIEW



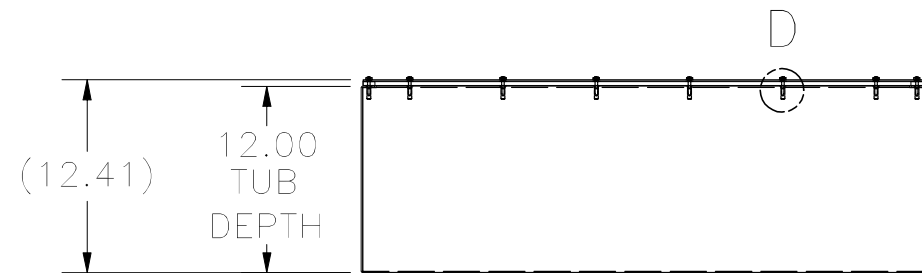
FRONT VIEW



RIGHT SIDE VIEW



FRONT VIEW TUB



BOTTOM VIEW

PART#: WA363612GSCG
(DATA SUBJECT TO CHANGE WITHOUT NOTICE)

THIS DRAWING IS PROPERTY OF HUBBELL INC. WIEGMANN
ALL INFORMATION IS PROPRIETARY AND NOT TO BE DUPLICATED