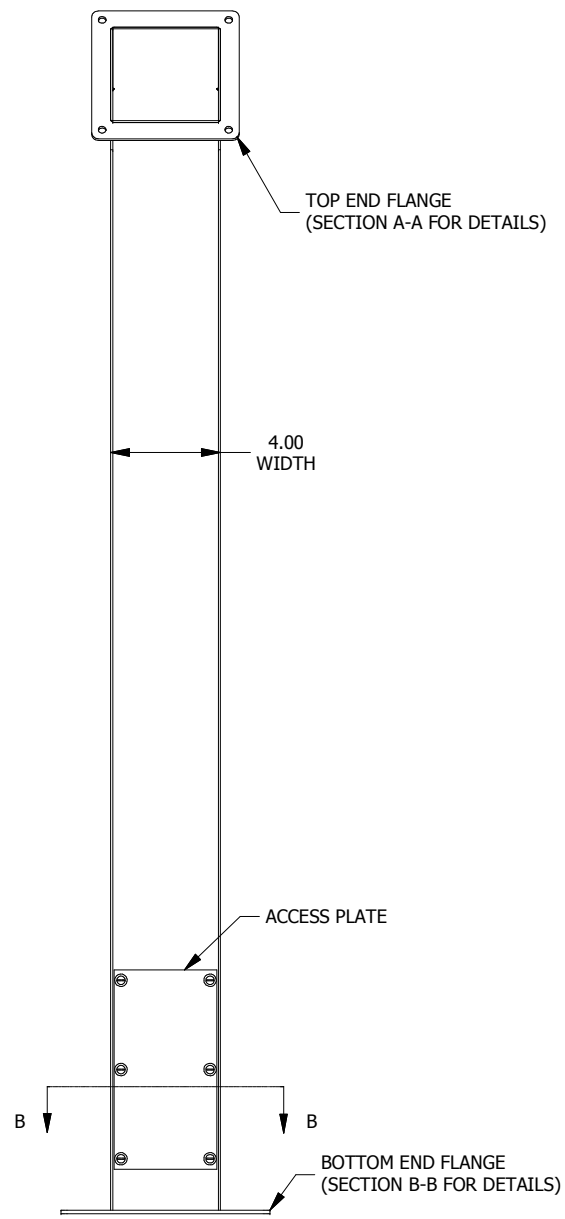
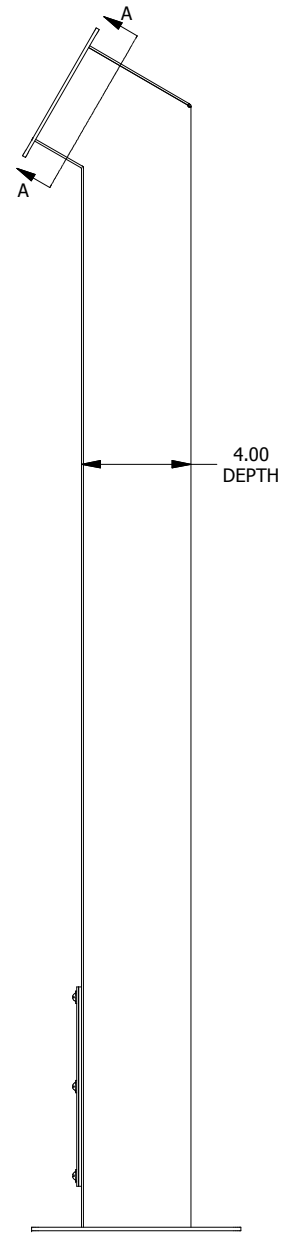


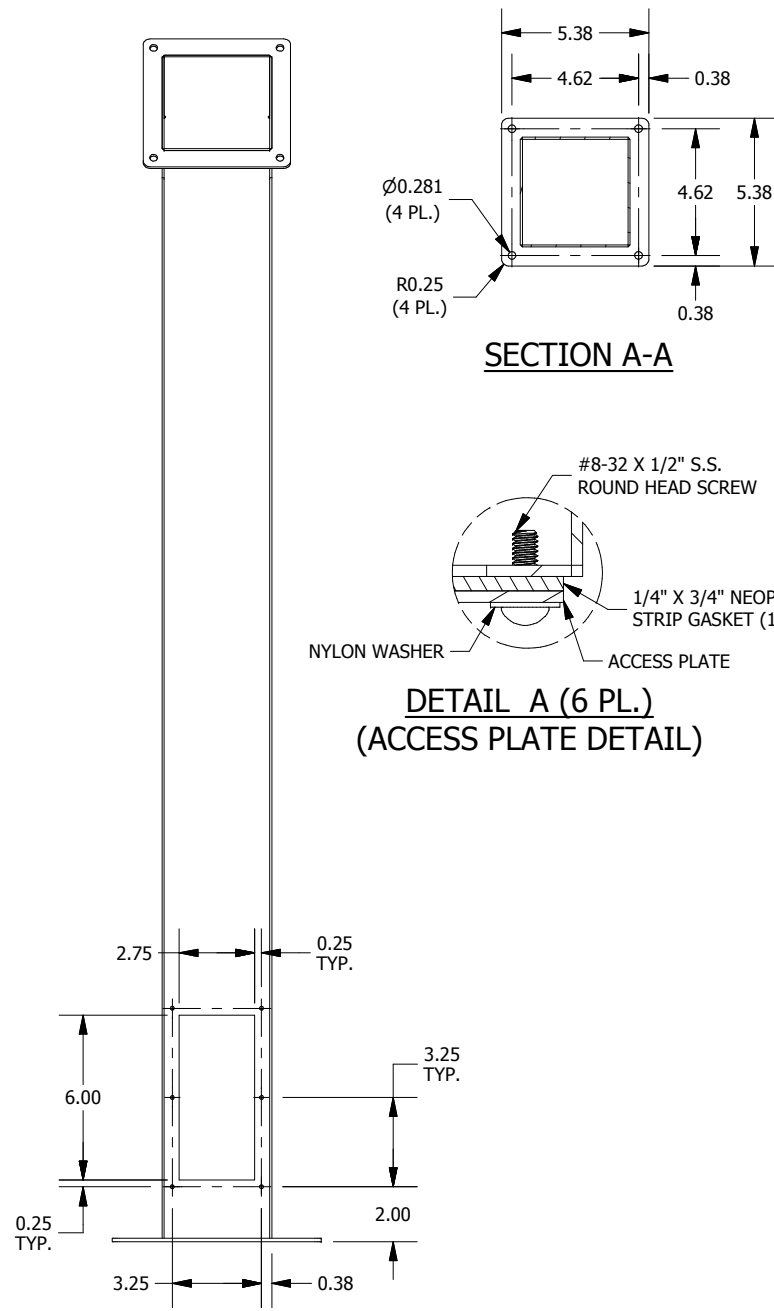
LEFT SIDE VIEW



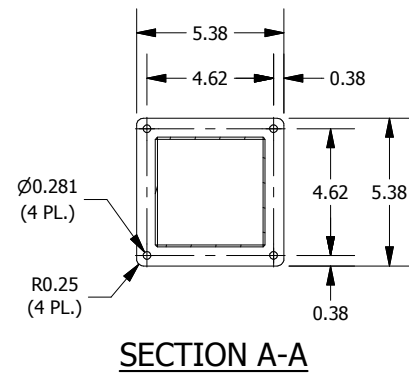
FRONT VIEW



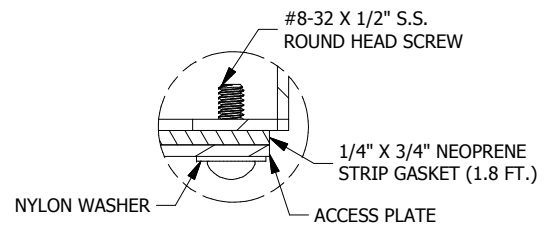
RIGHT SIDE VIEW



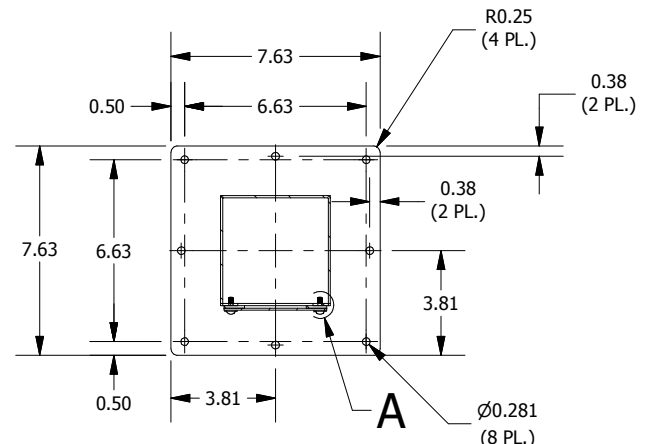
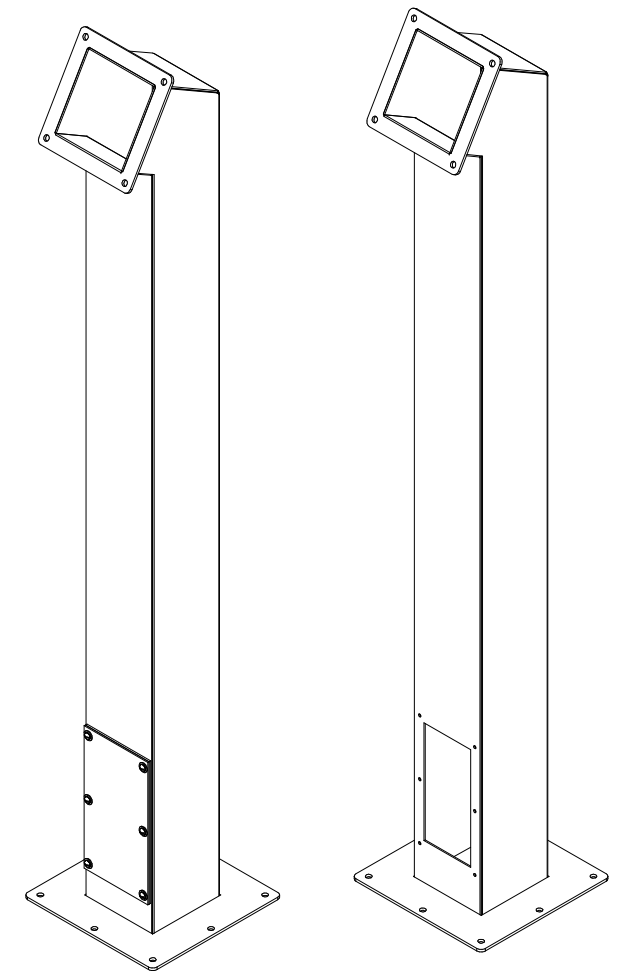
**FRONT VIEW
(ACCESS PLATE REMOVED)**



SECTION A-A



**DETAIL A (6 PL.)
(ACCESS PLATE DETAIL)**



**SECTION B-B
(INSIDE BOTTOM VIEW)**

**PART#: WA44PBCOL
(DATA SUBJECT TO CHANGE WITHOUT NOTICE)**

THIS DRAWING IS PROPERTY OF HUBBELL INC. WIEGMANN ALL INFORMATION IS PROPRIETARY AND NOT TO BE DUPLICATED