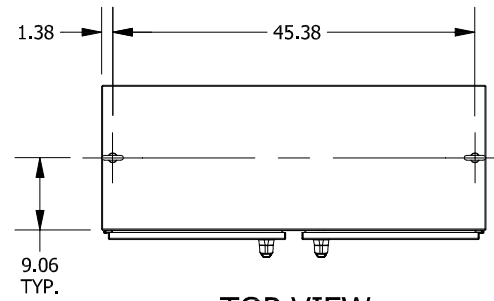
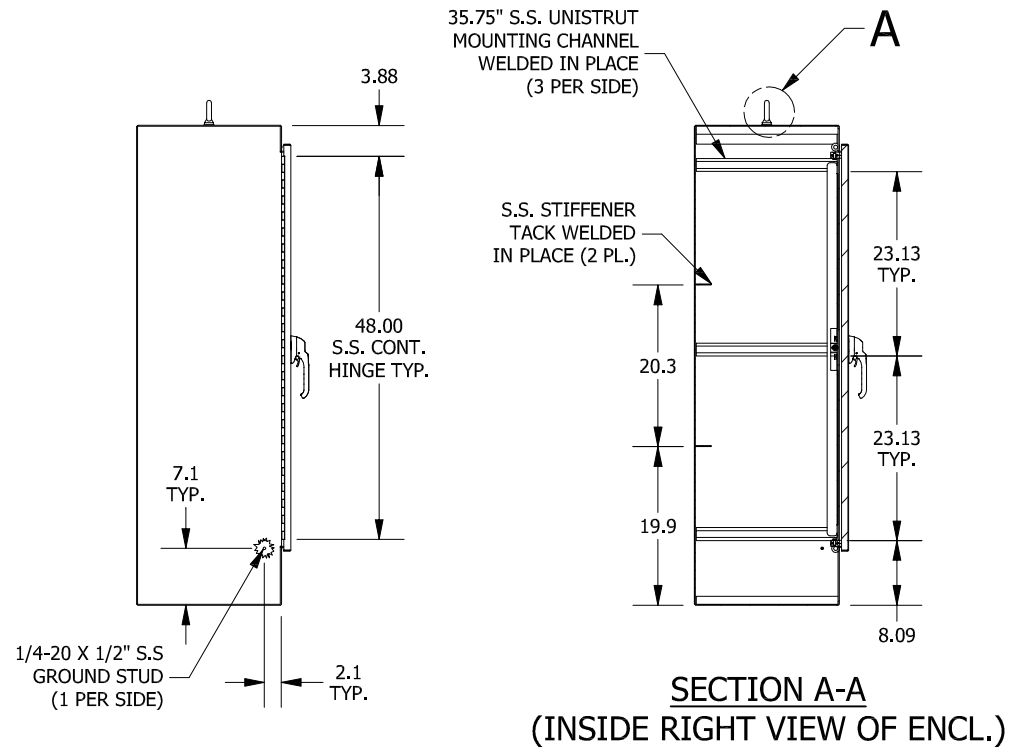
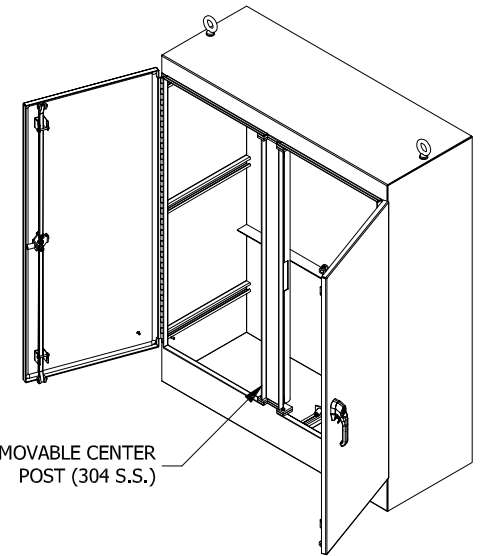


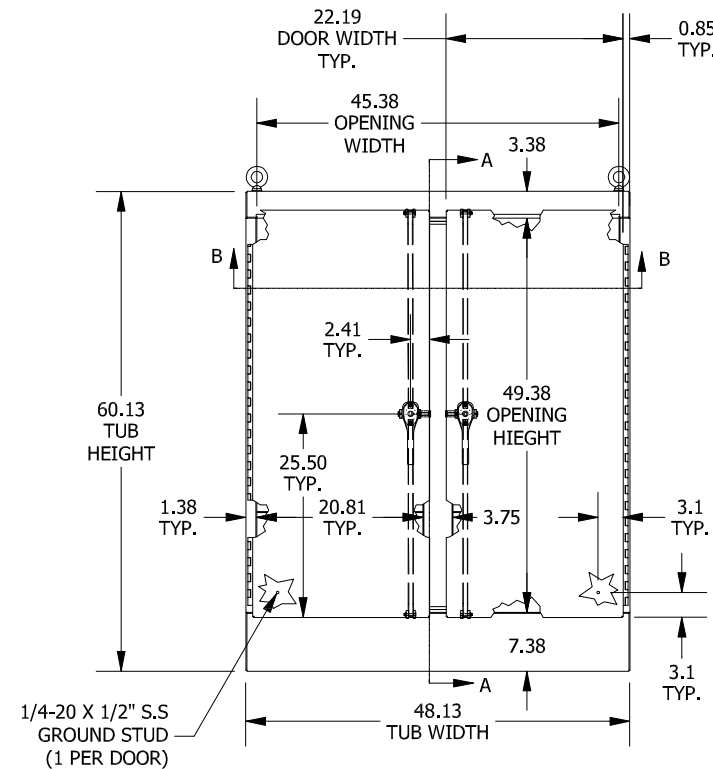
**DETAIL A (2 PL.)**  
**(LIFT-EYE DETAIL)**



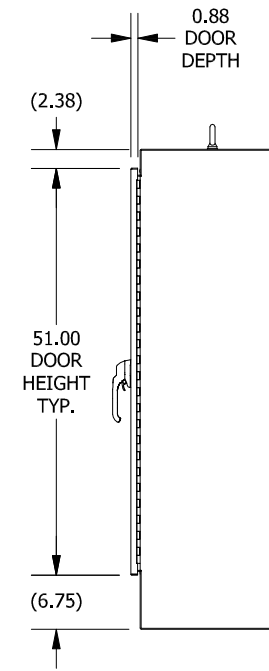
**TOP VIEW**



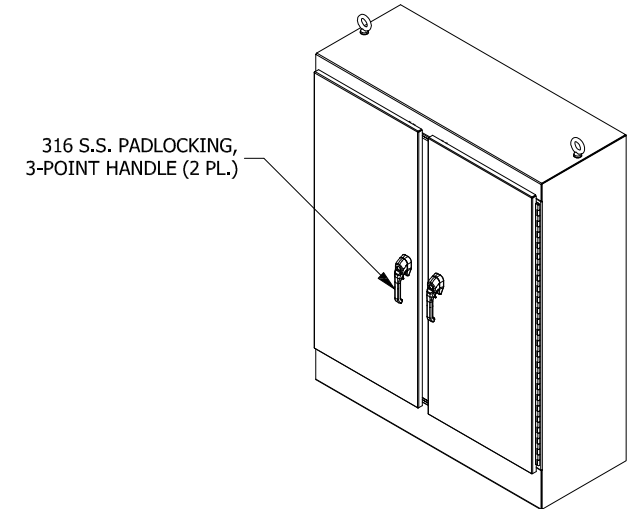
**SECTION A-A**  
**(INSIDE RIGHT VIEW OF ENCL.)**



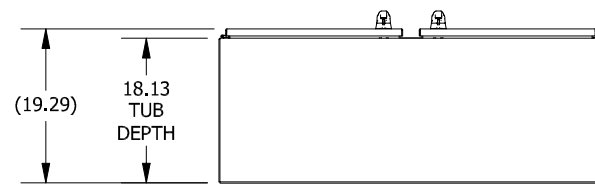
**FRONT VIEW**



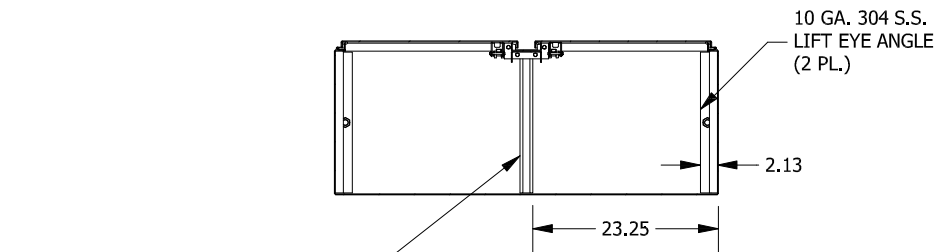
**RIGHT SIDE VIEW**



**LEFT SIDE VIEW**



**BOTTOM VIEW**



**SECTION B-B**  
**(INSIDE TOP OF ENCL.)**

PART#: WA604818SSSFSDN43PT  
(DATA SUBJECT TO CHANGE WITHOUT NOTICE)

THIS DRAWING IS PROPERTY OF HUBBELL INC. WIEGMANN  
ALL INFORMATION IS PROPRIETARY AND NOT TO BE DUPLICATED